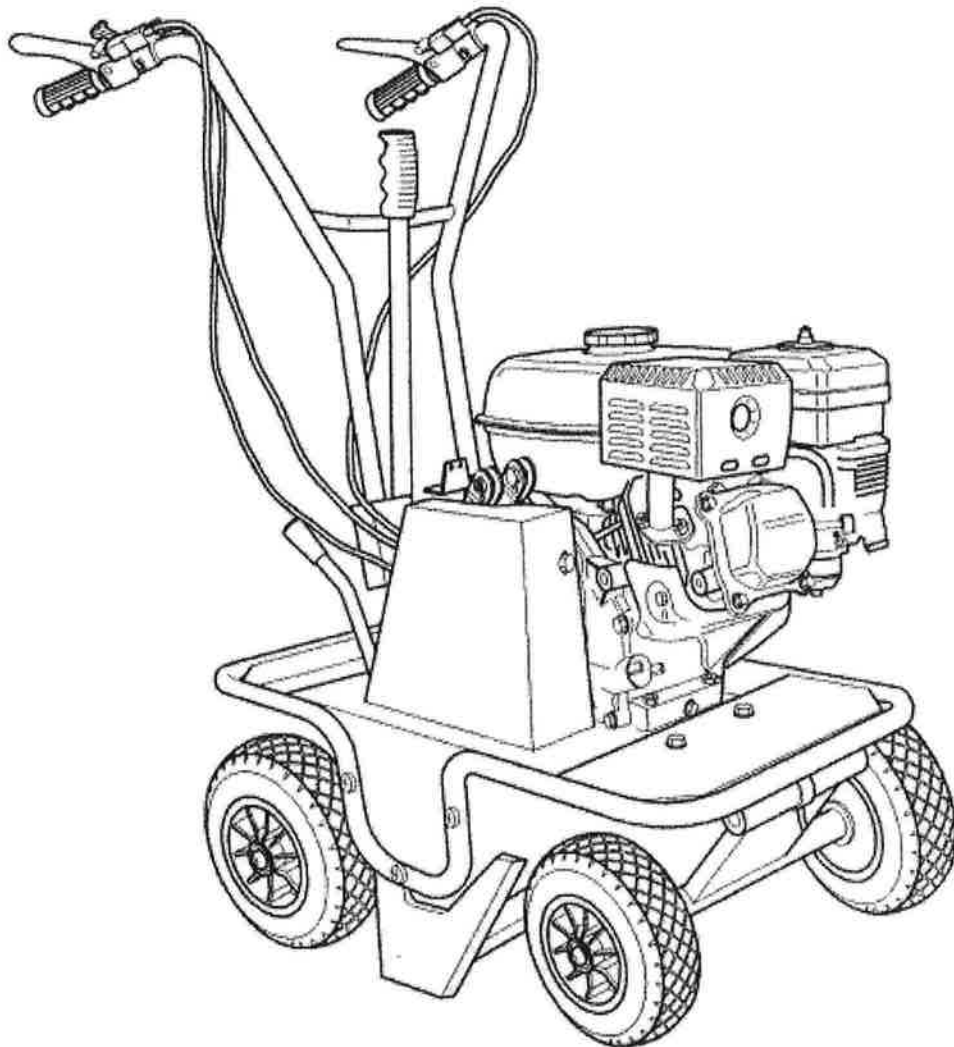
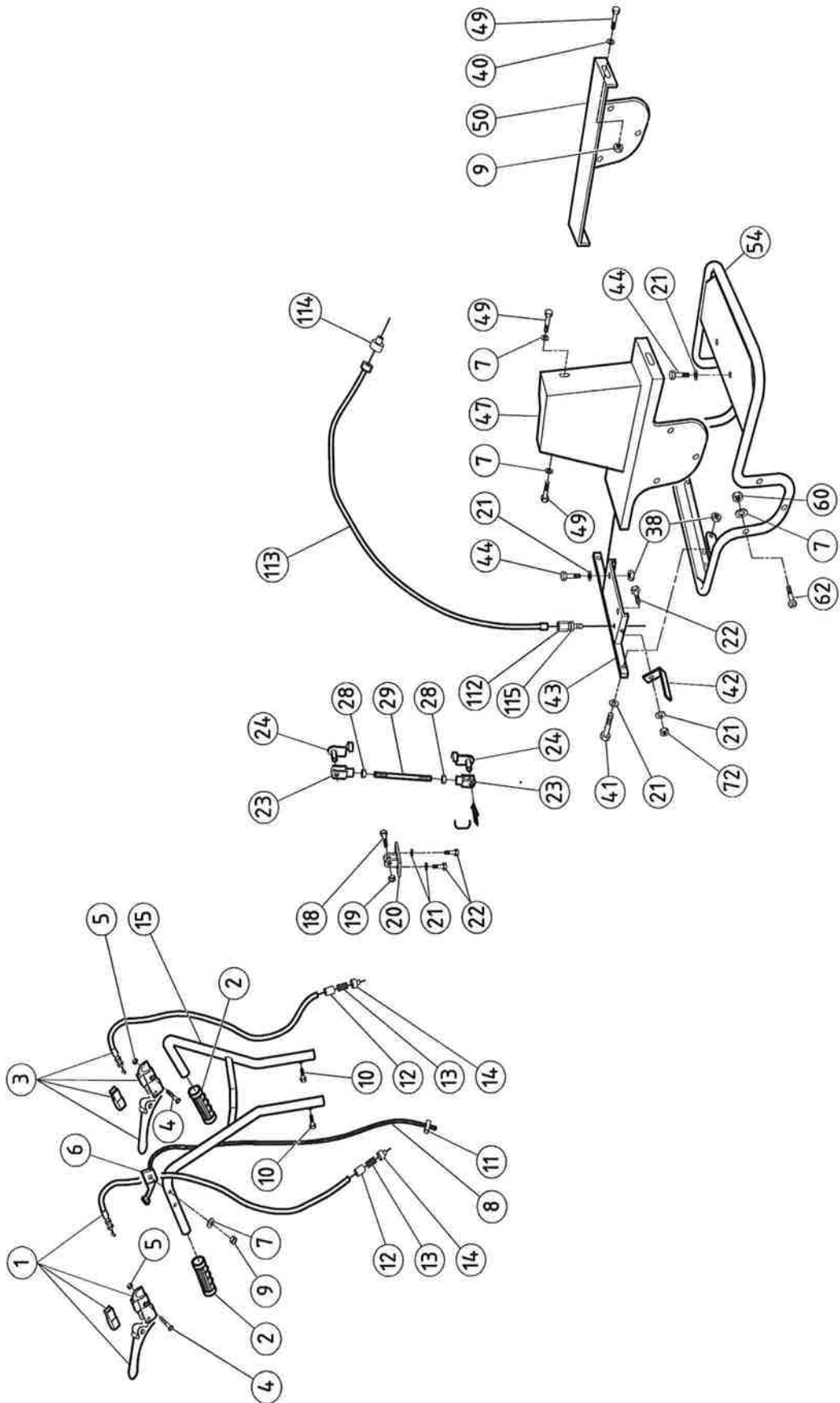




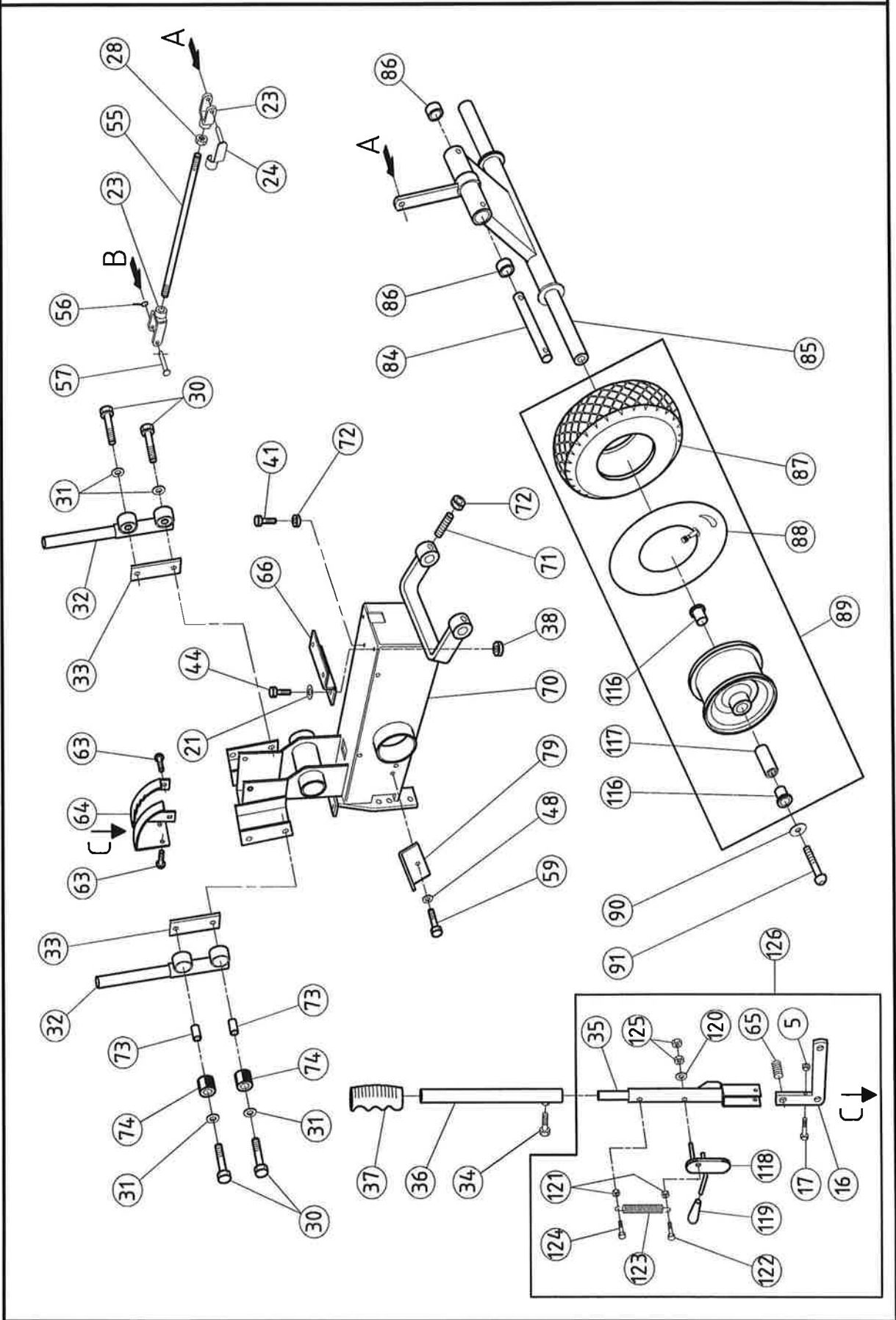
390



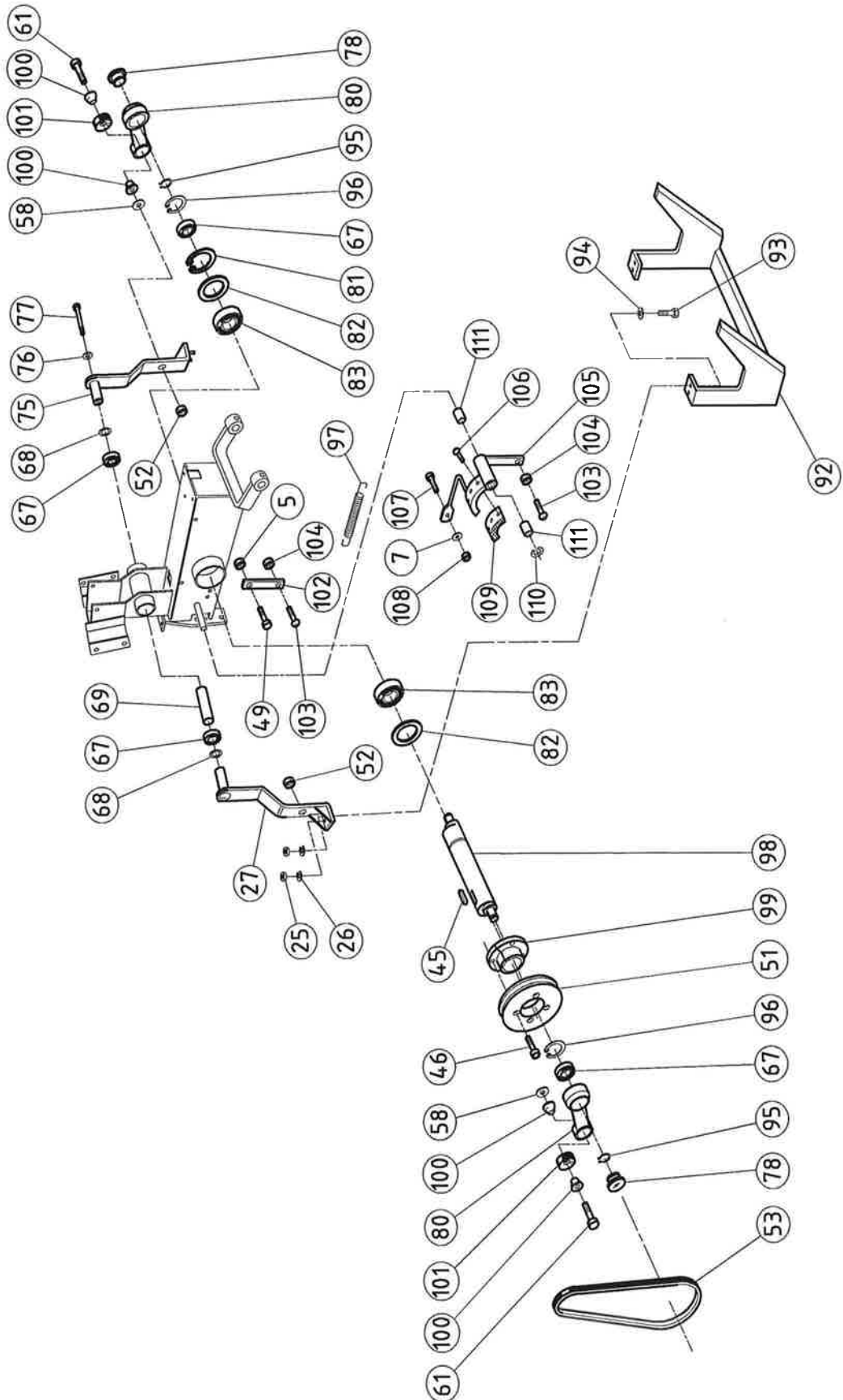
OPERATING AND SAFETY INSTRUCTIONS



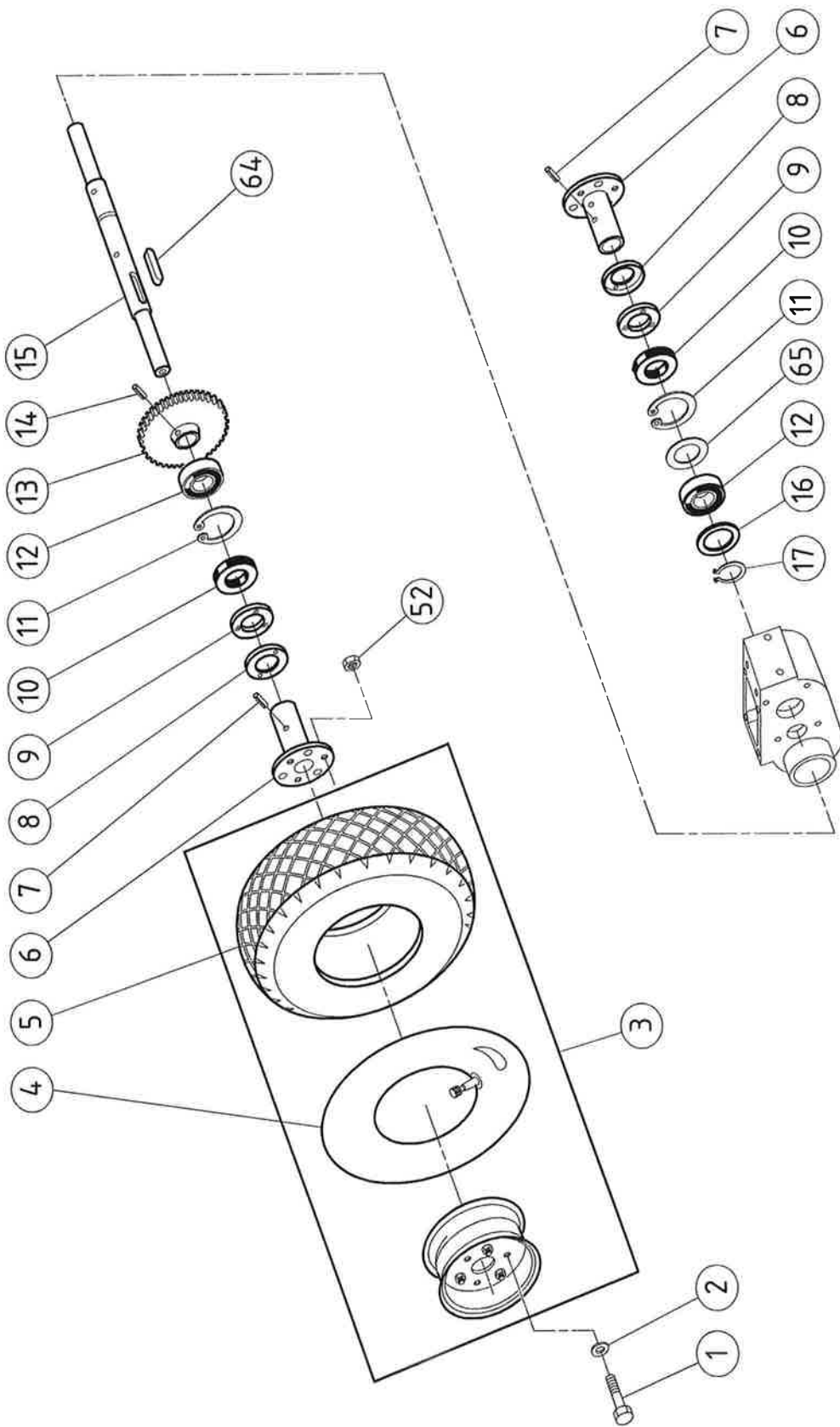
Pos.	Art.No.	Description	Qty
001	T095700	YELLOW LEVER BELT TUBE Ø 25	NO 1
002	T096200	TUBE GRIP Ø 26 1MA08010	NO 2
003	T095800	YELLOW BELT LEVER TUBE Ø 25	NO 1
004	CC21500	VTCE M6x55 UNI 5931	NO 2
005	CC01100	SELF-LOCKING B985 M6 H6	NO 2
006	T096000	THROTTLE 1AG00215	NO 1
007	CC02700	RPN U 6592 FE 6	NO 9
008	T095900	ACCELER. CABLE SEHEAT mm1010 wire mm 140	NO 1
009	CC16900	SELF-LOCKING A982 M6 H8	NO 8
010	T098700	VTE CC16600 10x20	NO 2
011	T096100	CLAMP 03824105	NO 1
012	M063200	SPRING GUIDE 12x20	NO 2
013	CC16200	SPRING 10x25 CXF	NO 2
014	M063300	CABLE GUIDE 12x17	NO 2
015	T098100	HANDLE	NO 1
018	T098900	VTCE CC16800 10x50 cut to 40 mm	NO 1
019	CC17000	SELF-LOCK A982 M10 H11.5	NO 1
020	T095200	HEIGHT ADJUSTMENT LEVER SUPPOR	NO 1
021	CC01800	RPN U 6592 FE 8	NO 9
022	CC08900	VTE M8x16 UNI 5739	NO 3
023	T096400	FORK 03216055	NO 2
024	T096500	FORK CLIP	NO 2
028	CC16700	DE NORM U 5588 M10 H8	NO 2
029	T093900	HEIGHT ADJUSTMENT TIE ROD M10x200	NO 1
038	CC08300	SELF-LOCK A982 M8 H10	NO 4
040	CC01300	WASHER U 6593 6x18x1.5	NO 6
041	CC05900	VTE M8x25 UNI 5739	NO 2
042	T089400	REAR BRACKET 15x3	NO 1
043	T095500	REAR GUARD SUPPORT	NO 1
044	CC10000	VTE M8x20 UNI 5739	NO 4
047	T097400	WELDED GUARD FOR BELTS	NO 1
049	CC09500	VTE M6x14 UNI 5739	NO 8
050	T097500	SIDE GUARD (LEFTHAND)	NO 1
054	T097300	FRAME SUPPORTING THE GUARDS	NO 1
060	CC09800	SELF-LOCK A982 M5 H6.5	NO 6
062	CC17500	VTE TC CR 7985 M5x30	NO 6
072	CC00200	DE NORM U 5588 M8 H 6.5	NO 1
112	F079800	ADJUSTER M6x40 CH.10 HOLE 8.3 0384214	NO 1
113	T089000	BRAKE CONTROL CABLE	NO 1
114	F079600	SHEATH BUSHING 7 03806045	NO 1
115	CC25600	DE LOW U 5589 M6 H4	NO 1



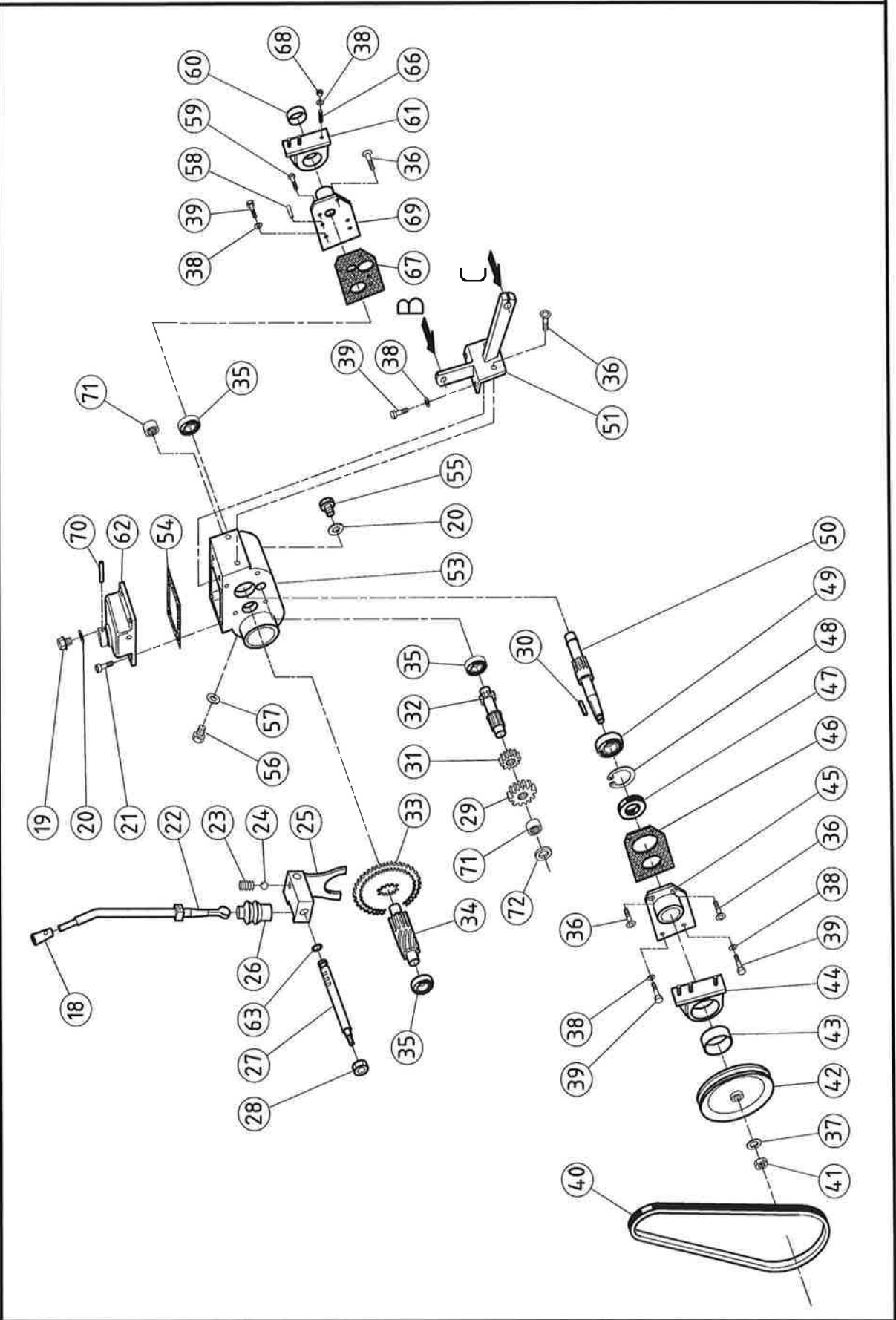
Pos.	Art.No.	Description	Qty
005	CC01100	SELF-LOCKING B985 M6 H6	NO 1
016	T094700	LEVER	NO 1
017	T098800	VTCE CC14100 6x45 cut to 37 mm	NO 1
021	CC01800	RPN U 6592 FE 8	NO 2
023	T096400	FORK 03216055	NO 2
024	T096500	FORK CLIP	NO 1
028	CC16700	DE NORM U 5588 M10 H8	NO 1
030	CC16800	VTE M10x50 UNI 5737 PART THREADED	NO 4
031	CC16500	CRINKLED WASHER Ø 10x21 DIN 137	NO 4
032	T092900	HANDLE SUPPORT	NO 2
033	T095100	PLATE 20x8 mm 90	NO 2
034	T099800	VTCE CC08900 8x16	NO 1
035	T084500	HEIGHT ADJUSTMENT LEVER	NO 1
036	T098200	EXTENSION FOR HEIGHT ADJUSTMENT LEVER	NO 1
037	M063600	CLOSED KNOB Ø 22 S/PROTECTIONHAND 1MA08005	NO 1
038	CC08300	SELF-LOCK A982 M8 H10	NO 2
041	CC05900	VTE M8x25 UNI 5739	NO 1
044	CC10000	VTE M8x20 UNI 5739	NO 2
048	CC02700	RPN U 6592 FE 6	NO 1
055	T094000	CONNECTION TIE-ROD M10x440	NO 1
056	CC17400	DOUBLE UNI 1336 2,5x30	NO 1
057	T096300	PIVOT 03226025	NO 1
059	CC12500	VTE M6x10 UNI 5739	NO 1
063	CC01900	VTCE BUTTON ISO 7380 8x12	NO 4
064	T084900	HEIGHT TOOTH-QUADRANT	NO 1
065	CC16300	SPRING 13x25 cm	NO 1
066	T095600	FRONT GUARD SUPPORT	NO 1
070	T091600	TURF CUTTER BODY	NO 1
071	CC17600	POINTED DOWEL BOLT VCE UNI 5927 M8x16	NO 2
072	CC00200	DE NORM U 5588 M8 H 6.5	NO 3
073	T099000	BUSCHING 12x10x28	NO 4
074	T099100	VIBRATION DUMPER 30x12x28 ST00238/10	NO 4
079	T094300	BELT GUIDE 25x40	NO 1
084	T097800	PIVOT FOR FRONT AXLE	NO 1
085	T091900	COMPLETE FRONT AXLE	NO 1
086	T098300	BRONZE SELF-LUBRICATING BUSH 16x20x22	NO 2
087	T090703	TIRE FOR WHEEL	NO 2
088	T090701	INNER TUBE FOR FRONT WHEEL	NO 2
089	T088100	FRONT WHEEL 3.00-4	NO 2
090	CC06400	SPLASHBOARD WASHER U6593 8x32x2.5	NO 2
091	CC08900	VTE M8x16 UNI 5739	NO 2
116	T088101	WHEEL BUSHING	NO 4
117	T088102	BEARING	NO 2
118	T084600	LOCKING LEVER	NO 1
119	CC18700	PVC KNOB MOD. 1001/P. D10	NO 1
120	CC07900	WASHER Ø 8 DIN 137 P	NO 1
121	CC40300	DE M5 H5	NO 2
122	CC40200	VTE M5x14 UNI 5739	NO 1
123	T096800	CONTROL WIRES RETURN SPRING 10x50	NO 1
124	CC12700	VTE M5x20 UNI 5739	NO 1
Pos.	Art.No.	Description	Qty
125	CC11400	WASHER Ø 8 DIN 137 P	NO 2
126	T084400	HEIGHT ADJUST ASSY	NO 1



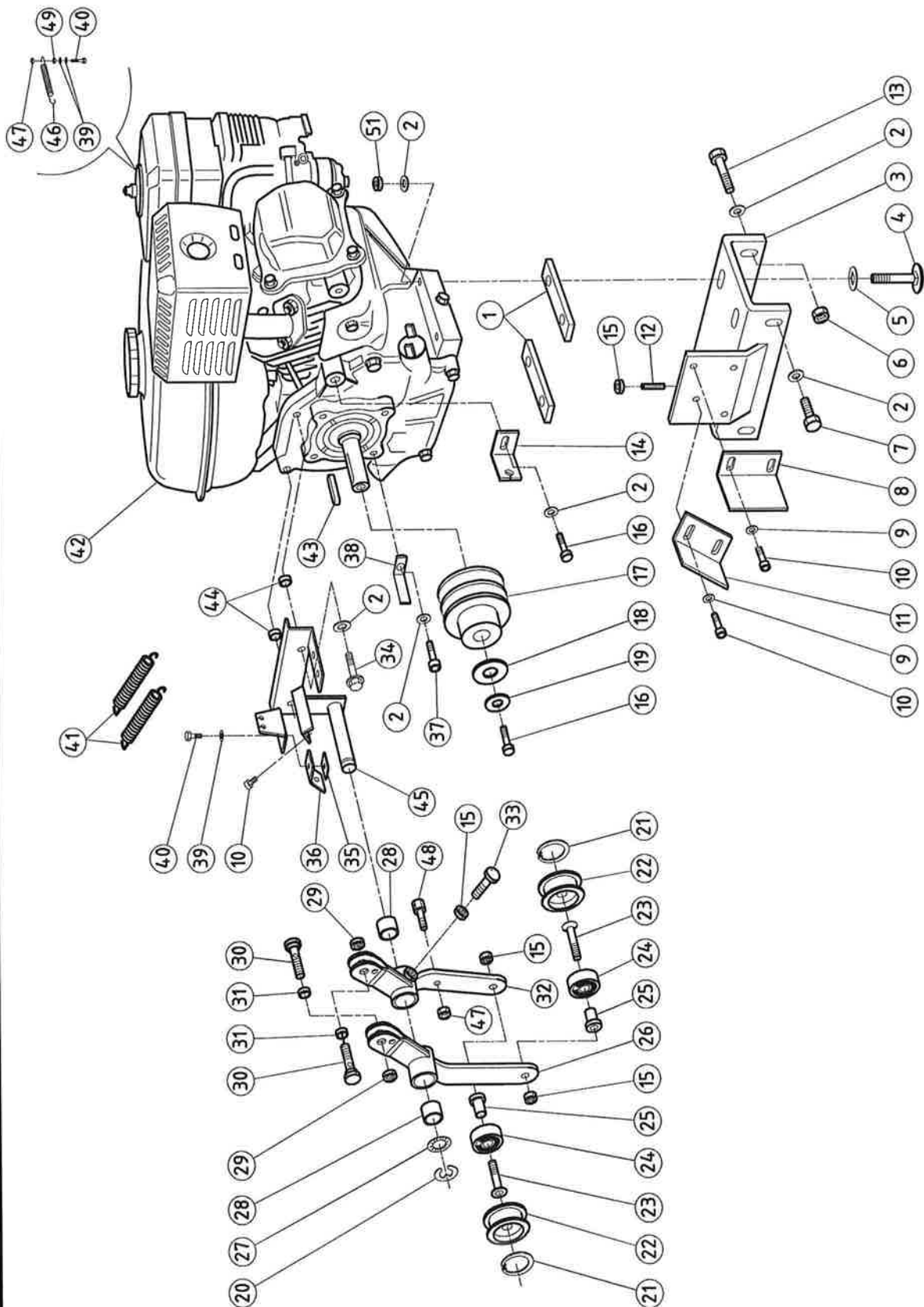
Pos.	Art.No.	Description	Qty
005	CC01100	SELF-LOCKING B985 M6 H6	NO 1
007	CC02700	RPN U 6592 FE 6	NO 1
025	CC14600	DE LOW U 5589 M8 H5	NO 4
026	CC13700	GROWER WASHER U 1751 NORM 8	NO 4
027	T092500.1	BLADE CONTROL ARM (RIGHTHAND)	NO 1
045	CC18200	KEY 8x7x25 UNI 6604	NO 1
046	CC20700	VTCE M6x25 UNI 5931	NO 4
049	CC09500	VTE M6x14 UNI 5739	NO 1
051	T091200	PULLEY FOR SHAFT WITH ECCENTRICS	NO 1
052	CC17300	DE LOW U 5589 M12 H7	NO 2
053	T090000	BELT TRAP. DAYCO MEGADYNE XDV 48x290 KEVLAR	NO 1
058	CC08000	RPN U 6592 FE 12	NO 2
061	T099300	VTCE CC18100 12x60 CUT TO 45 mm	NO 2
067	CC15300	BEARING 17x40x12 6203 2RS	NO 4
068	CC13800	SHIM PS 17x24x0.5	NO 2
069	T093600	BUSHING 27x85x17	NO 1
075	T094800.1	BLADE CONTROL ARM (LEFTHAND)	NO 1
076	CC07000	GROWER WASHER U 1751 NORM 6	NO 1
077	CC17700	VTE M6x85 UNI 5737 PART. TRHEAEDE	NO 1
078	T099200	CONNECTING ROD PLASTIC COVER	NO 2
080	T091800	CONNECTING ROD	NO 2
081	CC17800	SEEGER E35	NO 1
082	CC17900	SHIM PS 35x45x0.5	NO 2
083	CC15200	BEARING 35x62x14 6007-2RS	NO 2
092	T089300	CUTTIN BLADE mm 390	NO 1
093	T087400	SCREW M8x26	NO 4
094	CC07900	WASHER Ø 8 DIN 137 P	NO 4
095	CC07500	SEEGER E17	NO 2
096	CC19100	SEEGER I40	NO 2
097	E055500	SPRING	NO 1
098	T091700	SHAFT WITH ECCENTRICS	NO 1
099	T091300	PULLEY BLOCKING HUB	NO 1
100	T093500	BUSCHING SEMI-CONE 27x13x12	NO 4
101	T096700	RUBBER PAD	NO 2
102	T089100	SPRING HOOK	NO 1
103	CC00100	VTCE BUTTON ISO 7380 6x16	NO 2
104	CC25600	DE LOW U 5589 M6 H4	NO 2
105	T089200	BRAKE	NO 1
106	CC34100	SCREW DIN 7505 B 4x18	NO 3
107	F076600	CLAMP 7x20	NO 1
108	CC09200	DE ALTI U 5587 M6 H6	NO 1
109	T088900	BRAKE ELEMENT	NO 1
110	CC19800	FLEXIBLE RADIAL RING D10 UNI 7434	NO 1
111	CC21800	SELF-LOCKING BUSH PCM 121415 B	NO 2



Pos.	Art.No.	Description	Qty	
001	CC08900	VTE M8x16 UNI 5739	NO	6
002	CC01800	RPN U 6592 FE 8	NO	6
003	T089700	REAR WHEEL 4.10/3.50-4	NO	2
004	T098401	REAR WHEEL INNER TUBE	NO	2
005	T098402	TIRE FOR REAR WHEEL T098400	NO	2
006	T089800	HUB OF METALLIC RIM WHEEL	NO	2
007	CC18300	ELASTIC PIN 10x40	NO	2
008	T099400	DUST COVER	NO	2
009	T099500	FELT WASHER MB 6HC10400	NO	2
010	S175400	SEALING RING 25x52x7	NO	2
011	CC05000	SEEGER I52	NO	2
012	CC10400	BEARING 25x52x15 6205	NO	2
013	T090200	GERAMOTOR CROWN	NO	1
014	CC23100	POINTED DOWEL BOLT VCE UNI 5927 M8x14	NO	1
015	T089900	REAR AXLE OF METALLIC RIM	NO	1
016	CC16100	SHIM PS 25x35x1	NO	1
017	T099600	SEEGER E25	NO	1
052	CC14600	DE LOW U 5589 M8 H5	NO	6
064	CC19500	KEY 8x7x35 UNI 6604	NO	1
065	CC07100	SHIM PS 42x52x0.5	NO	1



Pos.	Art.No.	Description	Qty
018	CC23500	PVC KNOB MOD. 1001/P D.12	NO 1
019	CC18800	PLASTIC CAP M16x1.5	NO 1
020	CC18801	FIBER WASHER FOR CUP CC18800	NO 1
021	CC18400	VTCE M8x16 UNI 5931	NO 4
022	T092700	ENGAGE - DISENGAGE LEVER	NO 1
023	T097000	GEAR FORK SPRING 6x25	NO 1
024	CC18500	BALL Ø ¼" (6,350)	NO 1
025	T087500	FORK	NO 1
026	CC18600	GEAR LEVEL HOOD ART. 01966	NO 1
027	T087200	FORK PIVOT	NO 1
028	CC08300	SELF-LOCK A982 M8 H10	NO 1
029	T088700	GEAR	NO 1
030	CC18900	KEY 5x5x18 UNI 6604	NO 1
031	T088500	GEAR 2nd SPEED	NO 1
032	T088600	PINION	NO 1
033	T088400	GEAR 1st and 2nd SPEED	NO 1
034	T090300.1	PINION REDUCING GEAR	NO 1
035	CC11300	BEARING 15x35x11 6202-2RS	NO 3
036	CC00500	VSP U 5933 M8x18	NO 4
037	CC08000	RPN U 6592 FE 12	NO 1
038	CC07900	WASHER Ø 8 DIN 137 P	NO 12
039	CC10000	VTE M8x20 UNI 5739	NO 6
040	T090100	BELT TRAP. XDV 48x430	NO 1
041	CC17300	DE LOW U 5589 M12 H7	NO 1
042	T091400	CAST IRON PULLEY PRIM. Ø150 mm	NO 1
043	CC15800	SELF-LUBRICATING BUSCHING PCM 505520 B	NO 1
044	T091000	BOX SUPPORT (RIGHTHAND)	NO 1
045	T087900	RIGHT COVER	NO 1
046	T087700	RIGHT BRACKET GASKET	NO 1
047	CC19300	SEALING RING 17x40x7	NO 1
048	CC19100	SEEGER I40	NO 1
049	CC22100	BEARING 17x40x16 62203	NO 1
050	T088800	PRIMARY PINION	NO 1
051	T094900	TIE-ROD SUPPORT FOR HEUGHT CONTROL	NO 1
053	T087100	GEAR BOX	NO 1
054	T094600	COVER GASKET	NO 1
055	S174000	INSET HEXAGONAL CUP DIN 908 M16x1.5 V41.1339	NO 1
056	CC24900	VTCE BUTTON ISO 7380 6x08	NO 1
057	CC26000	FIBRE WASHER 6x10	NO 1
058	CC19200	CYLINDRICAL PIN 8x18 DIN 6325	NO 2
059	CC01700	VTCE BUTTON ISO 7380 8x16	NO 1
060	CC15700	SELF LUBRICATING BUSHING PCM 252820 B	NO 1
061	T091100	BOX SUPPORT (LEFTHAND)	NO 1
062	T090900	BOX COVER	NO 1
063	CC19600	O-RING 108 NBR70 8.73x1.78	NO 1
066	T099700	SCREW STUD M8x16 UNI 5911	NO 6
067	T087600	LEFT BRACKET GASKET	NO 1
068	CC00200	DE NORM U 5588 M8 H 6.5	NO 6
069	T087800	LEFT COVER	NO 1
070	CC19400	CYL. PLUG. 6x35 DIN 6325	NO 1
071	CC36100	BEARING	NO 2
072	T084800	SPACER	NO 1



Pos.	Art.No.	Description	Qty
001	T089600	ENGINE SHIM 20x6 belt PIX	NO 2
002	CC01800	RPN U 6592 FE 8	NO 8
003	T093800	ENGINE SUPPORT WELDED	NO 1
004	CC19700	VTTSD TE.TO.QU.SO.TE M8x40 U5731 S/DADO	NO 4
005	CC20100	RPN Ø24x2 SQUARE HOLE 9x9 INOX	NO 4
006	CC08300	SELF-LOCK A982 M8 H10	NO 2
007	CC08900	VTE M8x16 UNI 5739	NO 2
008	T094200	BELT GUIDE 25x20	NO 1
009	CC04600	RPN U 6592 FE 5	NO 4
010	CC00900	VTCE M5x08 UNI 5931	NO 5
011	T094100	BETL GUIDE 25x36	NO 1
012	CC20200	DOWEL UNI 5923 M8x35	NO 1
013	CC10000	VTE M8x20 UNI 5739	NO 2
014	T097200	GUARD SUPPORT BRACKET	NO 1
015	CC14600	DE LOW U 5589 M8 H5	NO 4
016	CC23300	VTE UNF 8.8 5/16x3/4" (mm19)	NO 2
017	T091500	ENGINE PULLEY	NO 1
018	CC06400	SPLASHBOARD WASHER U6593 8x32x2.5	NO 1
019	CC07900	WASHER Ø 8 DIN 137 P	NO 1
020	CC19800	FLEXIBLE RADIAL RING D10 UNI 7434	NO 1
021	CC05800	SEEGER I32	NO 2
022	T092000	ROLLER TIGHTENER 49x17	NO 2
023	CC00300	VSP U 5933 M8x25	NO 2
024	CC05700	BEARING 12x32x10 6201- 2RS	NO 2
025	T092200	BEARING BUSH 16x13.5	NO 2
026	T092400	BELT TIGHTENER	NO 1
027	C033700	SHIM PS 12.2x24x0.8	NO 1
028	CC05400	SELF-LUBRICATING BUSH PCM 121425 B	NO 2
029	CC09200	DE ALTI U 5587 M6 H6	NO 2
030	T092100	KEY CLAMP 10x20 M6	NO 2
031	M063500	CLAMP SPACER 9x4x6	NO 2
032	T095000	BELT TIGHTENER	NO 1
033	T098000	TIGHTENER SCREW	NO 1
034	CC08200	VTE M8x40 UNI 5737 PART. THREADED	NO 2
035	T097700	SPECIAL NUT	NO 1
036	T097100	GUARD FIXING BRACKET	NO 1
037	CC25700	VTCE DIN 912 UNF 5/16x5/8" (mm15.6) honda	NO 1
038	T089500	BELT GUIDE SLIDING BLOCK	NO 1
039	CC02700	RPN U 6592 FE 6	NO 2
040	CC09500	VTE M6x14 UNI 5739	NO 2
041	T096800	CONTROL WIRES RETURN SPRING 10x50	NO 2
042	CC23200	ENGINE HONDA GX200 6.5 HP	NO 1
043	CC19900	KEY 4.8x4.8x32	NO 1
044	T092300	SPACER 16x4.5x8	NO 2
045	T092600	TIGHTENER SUPPORT	NO 1
046	T096900	SPRING CABLE ACCELERATOR 8x48	NO 1
047	CC01100	SELF-LOCKING B985 M6 H6	NO 2
048	F079900	WIRE HOLDER DRUM	NO 1
049	CC25600	DE LOW U 5589 M6 H4	NO 1
050	CC00200	DE NORM U 5588 M8 H 6.5	NO 4