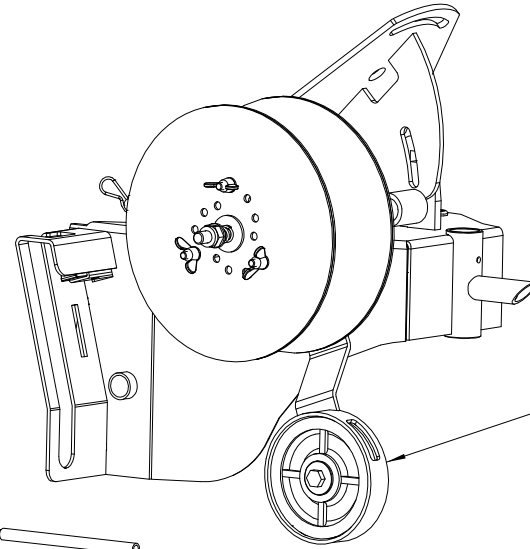
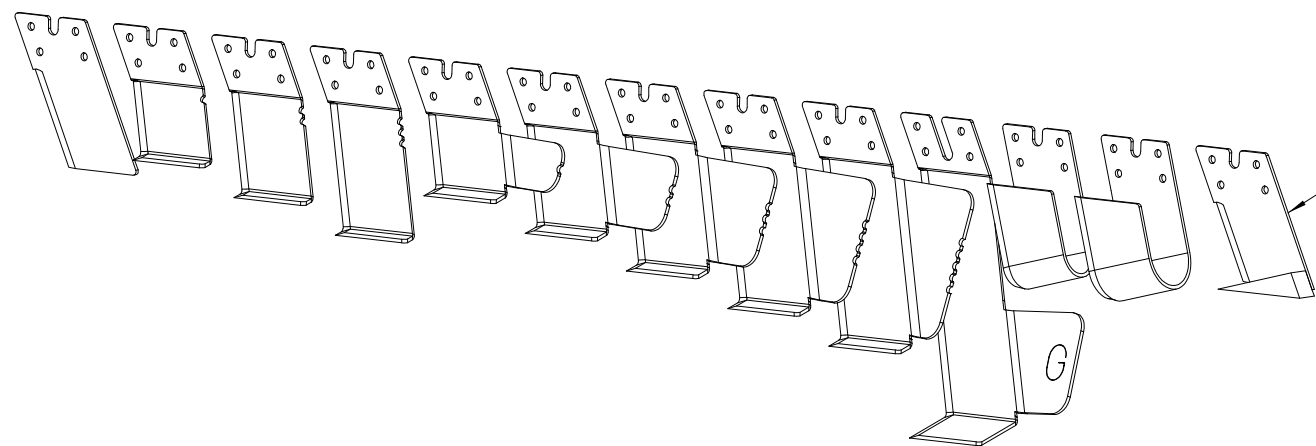
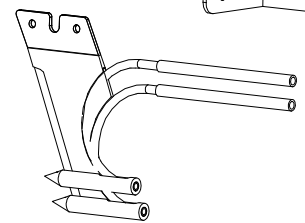


ELIET EDGE STYLER PRO				
NO	MMA-01.121.100	REV	1	DATE 2009/03/27

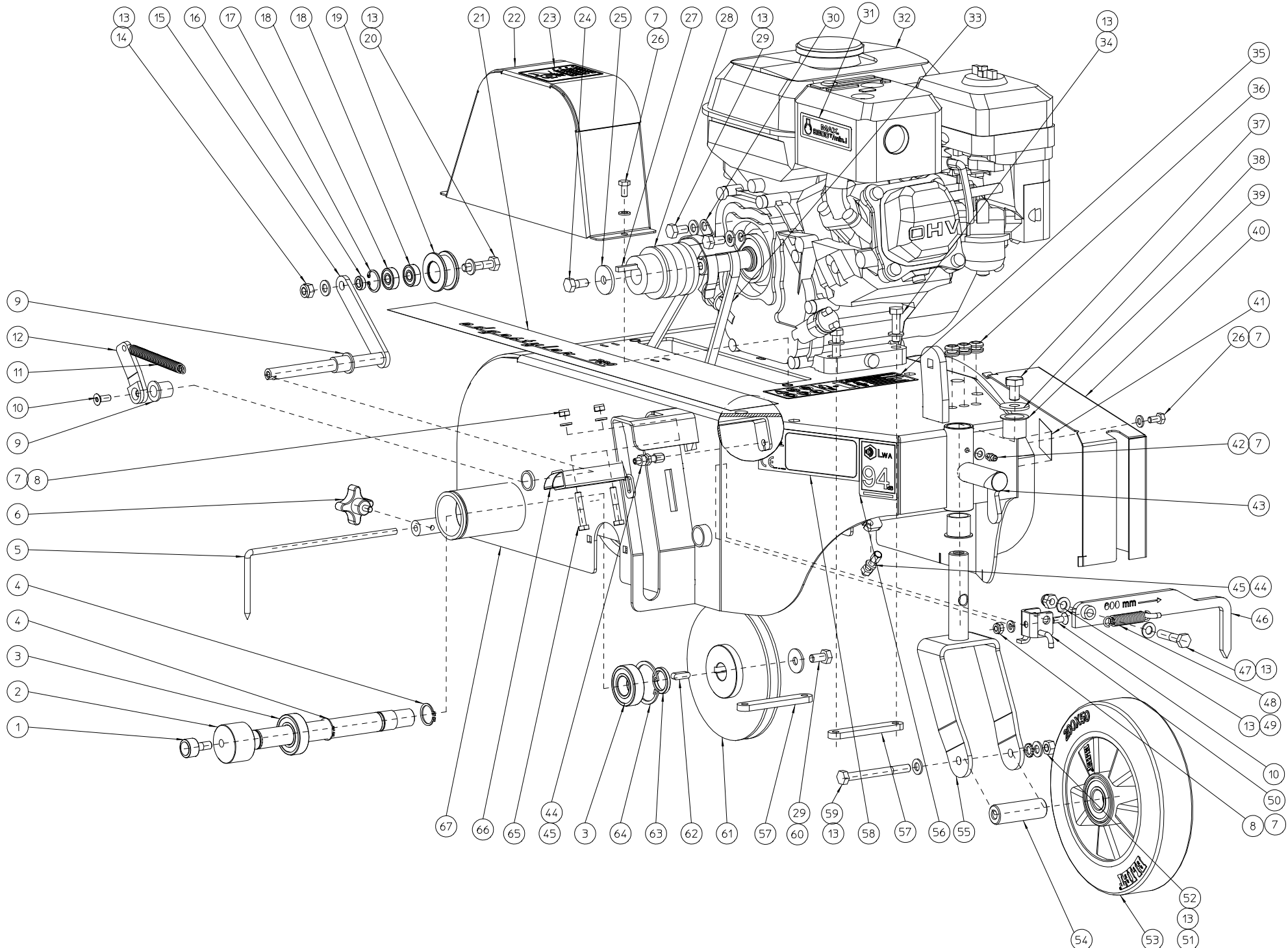


170



160

ELIET EDGE STYLER PRO					
NO	MMA-01.121.100	REV	1	DATE	2009/03/27



ELIET EDGE STYLER PRO -- CHASSIS

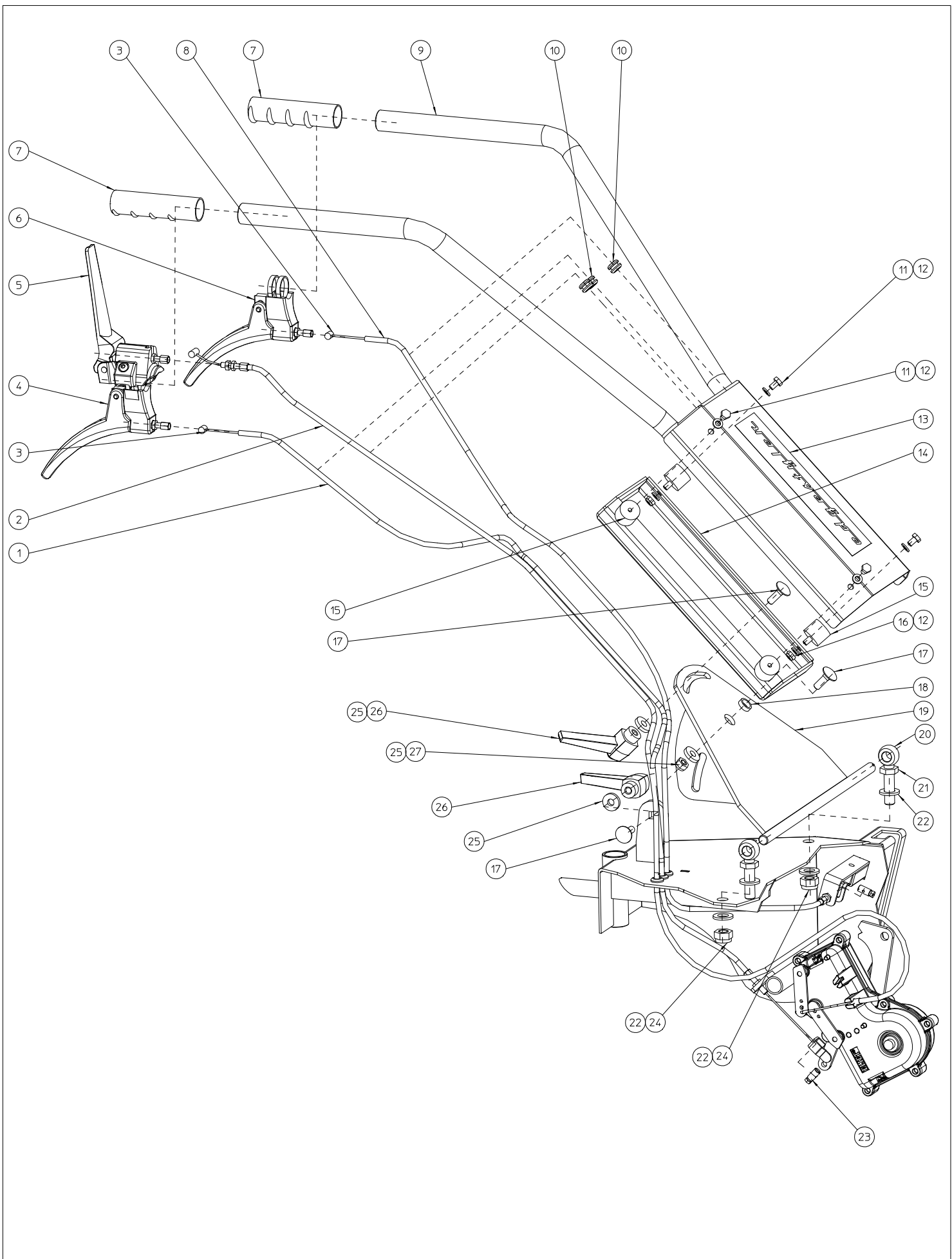
NO	MMA-01.121.110	REV	1	DATE	2009/03/30
----	----------------	-----	---	------	------------

NOMENC: MMA-01.121.110

Pos	Qté	Nom	Description	Matériau
1	1	BL-620.801.905	NOKKENROL KR 19 LL DIA.19XM8	
2	1	MPA-01.121.210	AS EXENTRIEK	
3	2	BL-002.004.203	DIN 625 ROUL.NTN 6004 2RZ	
4	2	BB-001.000.200	CIRCLIPS EXTERIEUR DIA:20	
5	1	MPA-01.121.180	POSITIONERINGSPIJL	S235J2G3
6	1	BN-630.206.150	STERKNOP189-40 M6X15	
7	7	BS-531.000.600	DIN 125 RONDELLE M6	
8	3	BS-502.000.600	DIN 985 ECRou NYLON M6	
9	2	BR-112.122.100	GLIJLAGER 12X16X19/2	
10	2	BS-522.100.616	DIN 7991 VIS A TETE FRAISEE M6X16	
11	1	BV-011.512.500	RESSORT D'EXTENSION 1.5X12.5X110	
12	1	MPA-01.121.085	HEFBOOMSTEUN RIEMSPANNER	
13	12	BS-531.000.800	DIN 125 RONDELLE M8	
14	1	BS-502.000.800	DIN 985 ECRou NYLON M8	
15	1	MPA-01.121.080	HEFBOOM RIEMSPANROL	
16	1	MPA-01.121.090	AFSTANDBUS 4,5 SPANROL	
17	1	BB-002.000.220	CIRCLIPS DIA.22 DIN472	
18	2	BL-000.802.203	DIN 625 ROULEZO 608 ZZ	
19	1	BA-599.006.201	SPANROL DIA.32	
20	1	BS-511.000.835	DIN 931 VIS M8X35	
21	1	BQ-501.120.050	KLEVER EDGESTYLER PRO 6X61	
22	1	MPA-01.121.025	AFSCHERMING AANDRIJVING	
23	1	BQ-505.010.370	KLEVER-CE AANDACHT 70X56 MM	
24	1	BS-512.040.819	6KT BOUT UNF 5/16X3/4	
25	1	BS-532.008.306	RONDELLE DE CARROSSERIE M8X30X3	
26	3	BS-512.000.612	DIN 933 VIS M6X12	
27	1	BB-342.050.544	DIN 6880 CLAVETTE 4.7X4.7X44	
28	1	BA-564.005.021	DUBBELE V-RIEMSCHIJF/SPZ-DW50	
29	3	BS-512.000.816	DIN 933 VIS M8X16	
30	1	MPA-01.121.230	RIEMVANGER	S235J2G3
31	1	BQ-505.010.020	AUT.MAX 2800T/MIN 90X25	
32	1	BM-202.104.000	MOTEUR 4HP HONDA GX 120	
33	1	BA-521.109.370	V-RIEM XPZX937 QUAD-POWER	
34	4	BS-511.000.830	DIN 931 VIS M8X30	
35	1	BQ-505.010.171	AUTOCOLLANT DE SECURITE	
36	3	BR-000.211.308	DOORVOERTULE DIA.8XDIA.10XDIA.15X3X DIKTE 10	
37	1	BS-512.001.016	DIN 933 VIS M10X16	
38	1	BS-532.010.305	RONDELLE DE CARROSSERIE M10X30X2.5	
39	2	BR-112.202.100	BAGUE NYLON AVEC EP (29/24/20X1+20	
40	1	MPA-01.121.175	AFSCHERMING KOPPELINGSPEDAAL	S235J2G3
41	1	BQ-501.010.010	AUT.ELIET 65X30	
42	1	BY-100.106.100	GRAISSEUR M6	
43	1	BO-100.010.100	VERROU DIAM 10MM	
44	2	BS-501.000.600	DIN 934 ECRou M6	
45	2	BK-610.100.600	VIS DE REGLAGE GAINE M6X34MM	
46	1	MPA-01.121.215	UITLIJNPIJL	
47	1	BS-511.000.840	DIN 931 VIS M8X40	
48	1	BV-912.000.010	RESSORT DE GUIDE	
49	1	BS-505.800.800	D MOER ZELFBORGEND DIN_986 M8	
50	1	MPA-01.121.285	PIJLSTEUN	
51	1	BS-534.000.800	DIN 6798 RONDELLE ELASTIQUE M8	
52	1	BS-501.000.800	DIN 934 ECRou M8	
53	1	BW-320.020.000	ROUE ALUMINIUM 200/50-100	
54	1	MPA-01.121.120	AS ZWENKWIEL	
55	1	MPA-01.121.140	VORK ZWENKWIEL	
56	1	BQ-505.112.094	ZELFKLEVER 94 DB	
57	2	MPA-01.121.255	OPSPANPLAAT MOTOR	
58	1	BQ-505.010.010	AUT.ELIET CE 120X30	
59	1	BS-511.000.848	DIN 931 VIS M8X80	
60	1	BS-532.008.254	RONDELLE DE CARROSSERIE M8X25X2	
61	1	BA-564.714.001	V-RIEMSCHIJF SPZ 140	
62	1	BB-351.060.620	DIN 6885A CLAVETTE ARRONDIE 6X6X20	
63	1	MPA-01.121.270	TUSSENRING V_RIEMSCHIJF	S235J2G3
64	1	BB-002.000.420	CIRCLIPS INTERIEUR DIA:42	
65	2	BS-511.000.635	DIN 931 VIS M6X35	
66	1	BO-360.504.180	VEERGRENDEL MET HAAKSE TREKPEN OP 90° FFM.R1615.G	
67	1	MPA-01.121.020	GESTEL	

ELIET EDGE STYLER PRO -- CHASSIS

NO	MMA-01.121.110	REV	1	DATE	2009/03/30
----	----------------	-----	---	------	------------



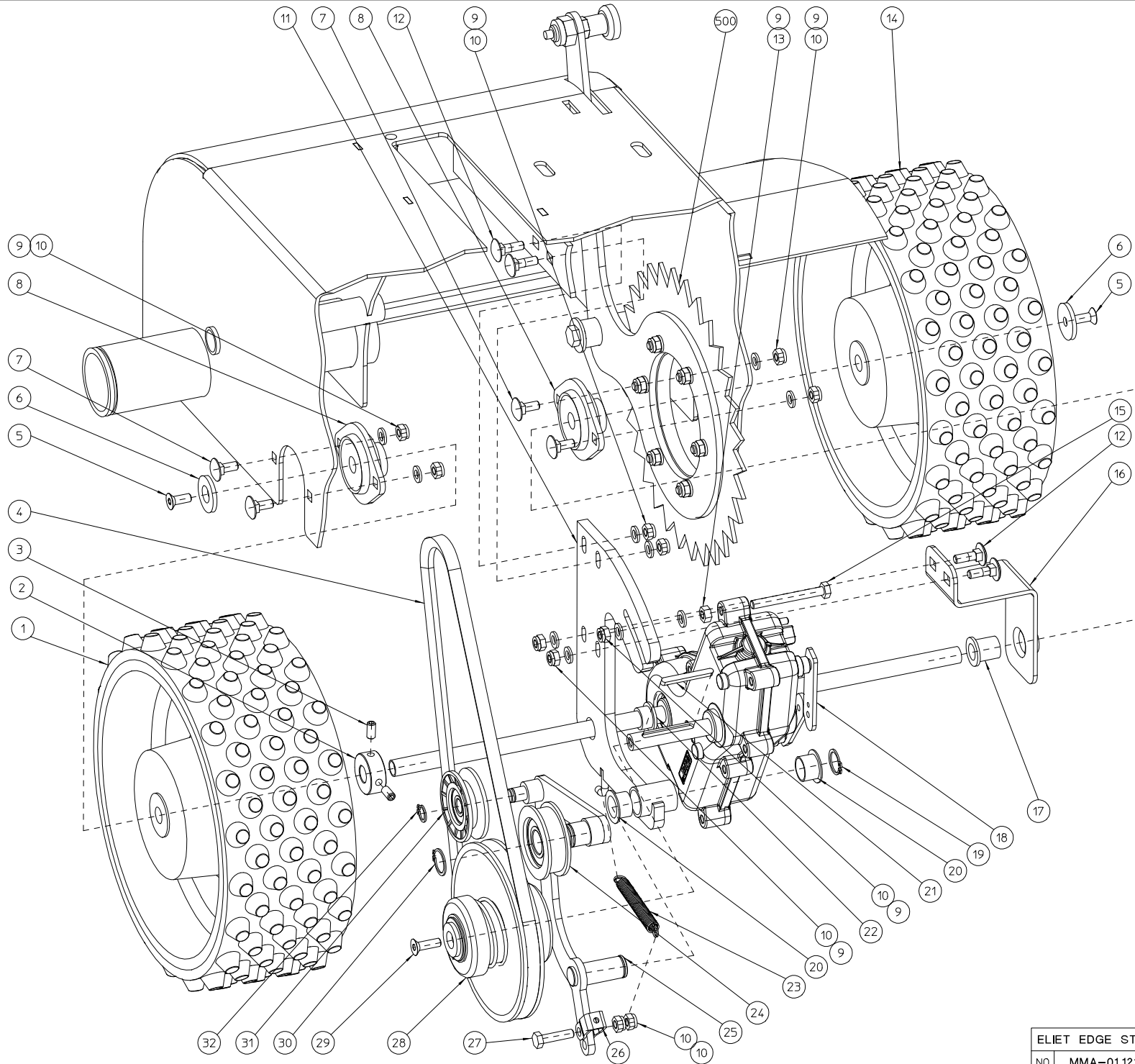
ELIET EDGE STYLER PRO -- STEER					
NO	MMA-01.121.120	REV	1	DATE	2009/03/11

NOMENC: MMA-01.121.120

Pos	Qté	Nom	Description	Matériau
1	1	BK-212.061.150	GAINÉ SNELHEIDSREGELING PRO-G35 ZWART 6MMX1150	
2	1	BK-153.181.440	KABEL DODEMANSSHANDEL	
3	2	BK-151.181.370	KABEL GRENDELBEDIENING	
4	1	BN-332.500.350	HANDEL SACCON LABD7B03 STROKE 30 KLEM 25	
5	1	BN-332.500.140	DODEMANSHANDEL SACCON-LASC55R01T STROKE 25-KLEM 25 MM	
6	1	BN-332.500.220	HANDEL SACCON-LABS7B03 STROKE 17.5 KLEM 25 MM	
7	2	BN-230.100.408	HANDGREEP 1 TYPE 8	
8	1	BK-212.061.250	GAINÉ GRENDEL-PRO/STD	
9	1	MPA-01.121.200	BOVENSTUUR	S235J2G3
10	3	BR-000.211.308	DOORVOERTULE DIA.8XDIA.10XDIA.15X3X DIKTE 10	
11	4	BS-512.000.610	DIN 933 VIS M6X10	
12	8	BS-531.000.600	DIN 125 RONDELLE M6	
13	1	BQ-501.120.080	KLEVER EDGESTYLER 6X21	
14	1	MPA-01.121.195	TUSSENSTUK STUUR	
15	4	BR-600.225.201	GMT 25X20B M6X10 70 SHORE	
16	4	BS-502.000.600	DIN 985 ECROU NYLON M6	
17	3	BS-554.100.825	DIN 603 VIS A BOIS M8X25	
18	1	MPA-01.121.145	TUSSENRING STUURBEVESTIGING	S235J2G3
19	1	MPA-01.121.190	ONDERSTEUN STUUR	S235J2G3
20	2	BS-551.001.244	DIN 444 CORPS DE BOULON A OEIL M12X60	
21	2	BS-501.901.200	DIN 439 1/2 ECROU M12	
22	4	BS-531.001.200	DIN 125 RONDELLE M12	
23	2	BK-170.208.000	SERT CABLE 8X15MM	
24	2	BS-502.001.200	DIN 985 ECROU NYLON M12	
25	3	BS-531.200.800	DIN 7349 RONDELLE M8X21X4	
26	2	BN-530.108.800	VERSTELBAREKLEMHENDEL M8 INWENDIG	
27	1	BS-502.000.800	DIN 985 ECROU NYLON M8	

ELIET EDGE STYLER PRO --- STEER

NO	MMA-01.121.120	REV	1	DATE	2009/03/11
----	-----------------------	-----	---	------	------------



ELIET EDGE STYLER PRO -- TRANSMISSION

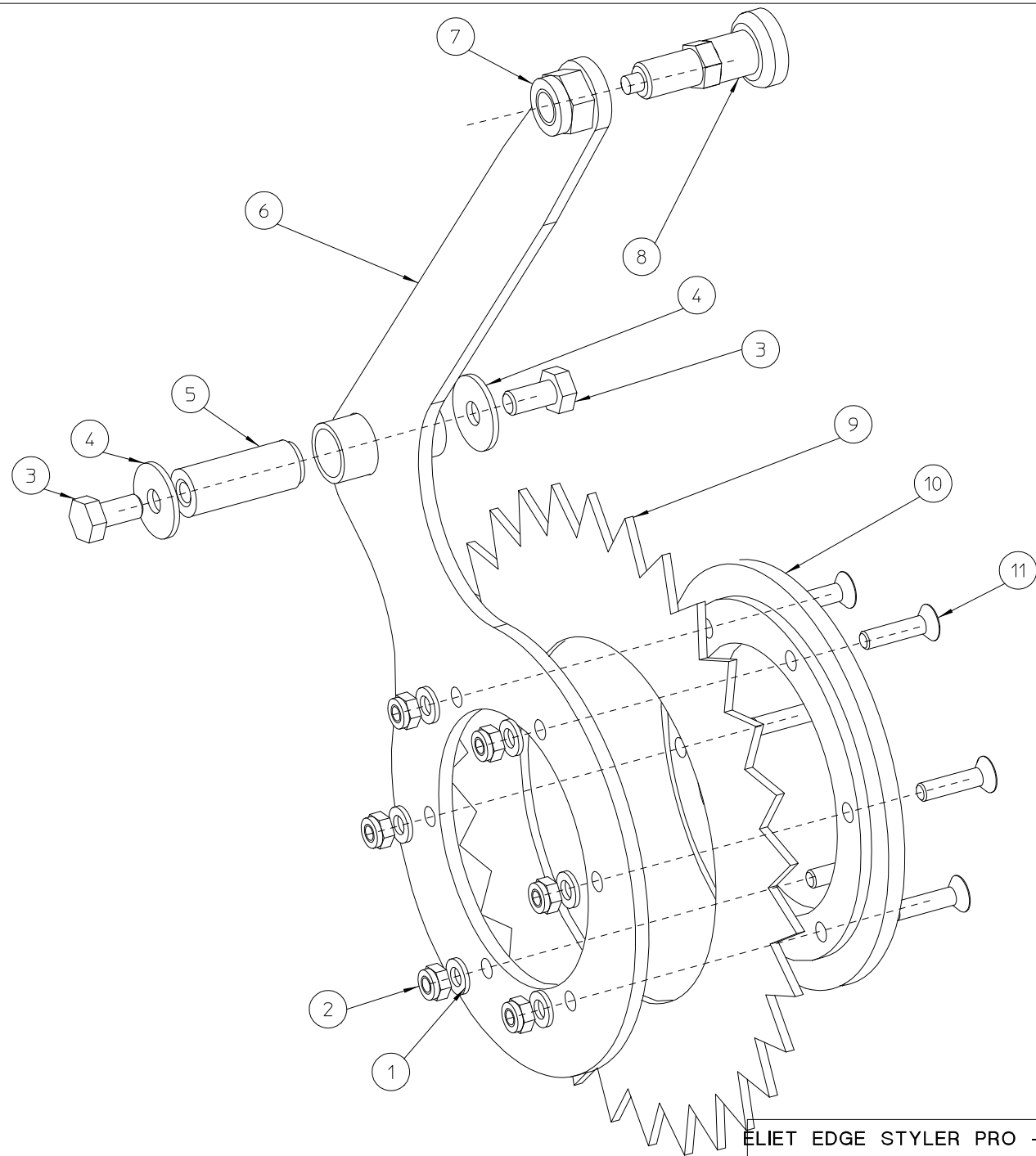
NO	MMA-01.121.130	REV	1	DATE	2009/03/11
----	----------------	-----	---	------	------------

NOMENC: MMA-01.121.130

Pos	Qté	Nom	Description	Matériau
1	1	BW-526.028.501	AANDRIJFWIEL-L-COMPLEET 260X100-140CHN	
2	1	MPA-01.121.205	KLEMRING WIEL LINKS	S235J2G3
3	2	BS-023.000.612	DIN 916 VIS DE PRESSION M6X12	
4	1	BA-521.108.000	V-RIEM XPZ 800 QUAD-POWER	
5	2	BS-522.100.616	DIN 7991 VIS A TETE FRAISEE M6X16	
6	2	BS-532.506.276	SLUITRING VOOR SCHR.MET VERZONKEN KOP 6,5X27X3	
7	4	BS-554.100.616	DIN 603 VIS A BOIS M6X16	
8	2	BL-801.101.200	PALIER COMPLET ASPFL 201	
9	10	BS-531.000.600	DIN 125 RONDELLE M6	
10	11	BS-502.000.600	DIN 985 ECROU NYLON M6	
11	1	MPA-01.121.125	STEUN REDUKTIEKAST	
12	4	BS-554.100.620	DIN 603 VIS A BOIS M6X20	
13	1	BS-501.000.600	DIN 934 ECROU M6	
14	1	BW-526.028.502	AANDRIJFWIEL-R-COMPLEET-260X100-140CHN	
15	1	BS-512.000.643	DIN 933 VIS M6X55	
16	1	MPA-01.121.130	STEUN 2 REDUKTIEKAST	S235J2G3
17	1	BR-112.122.100	GLIJLAGER 12X16X19/2	
18	1	BA-670.405.401	REDUKTIEKAST ELIET-EDGE_STYLER	
19	1	BB-001.000.160	BORGVEER DIN-471 16X1.00	
20	2	BR-112.161.210	GLIJLAGER 16X18X24 L12	
21	1	BB-351.040.440	SPIE 4X4X40	
22	1	BR-112.121.200	GLIJLAGER 12X16X10/2	
23	1	BV-011.009.007	TREKVEER 1X9X75	
24	1	BA-599.123.450	VLAKKE SPANRIEMSCHIJF	
25	1	MPA-01.121.110	SCHARNIERSTEUN SPANROLLEN	S235J2G3
26	1	BK-170.533.120	KLEINE CHAPE 32X12X2	
27	1	BS-512.000.625	DIN 933 VIS M6X25	
28	1	BA-660.100.101	VARIATOR 130-S100130-Z-RF	
29	1	BS-522.100.620	DIN 7991 VIS A TETE FRAISEE M6X20	
30	1	BB-001.000.170	BORGVEER DIN-471 17X1.00	
31	1	BA-599.094.350	V-SPANRIEMSCHIJF GM 0138-10128	
32	1	BB-001.000.100	CIRCLIPS EXTERIEUR DIA:10	
500	1	MMA-01.121.140	MONTAGEPLAN INSTEELKOP	

ELIET EDGE STYLER PRO -- TRANSMISSION

NO	MMA-01.121.130	REV	1	DATE	2009/03/11
----	----------------	-----	---	------	------------



ELIET EDGE STYLER PRO -- DIRECTION GUIDE

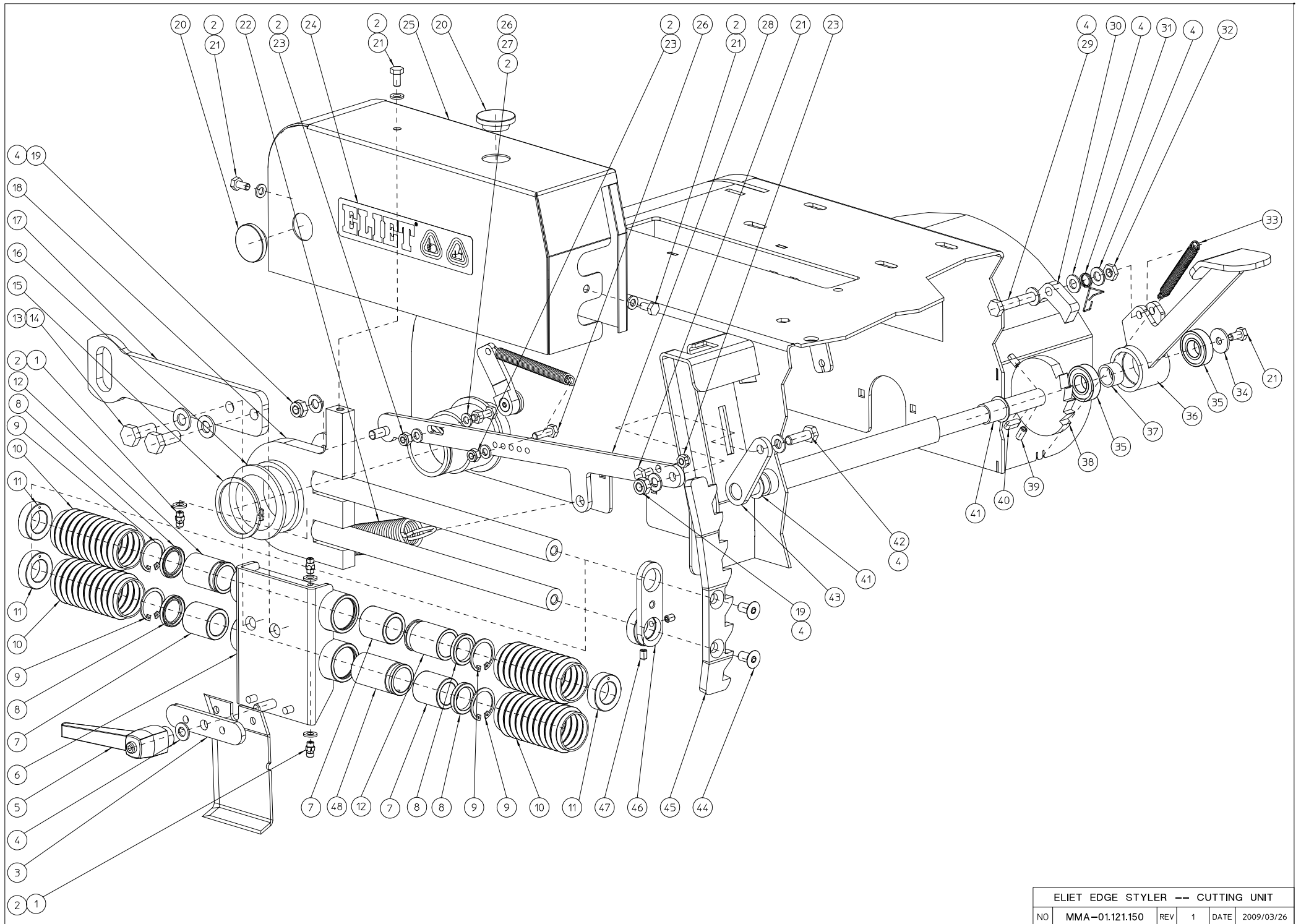
NO	MMA-01.121.140	REV	1	DATE	2009/03/11
----	----------------	-----	---	------	------------

NOMENC: MMA-01.121.140

Pos	Qté	Nom	Description	Matériau
1	6	BS-531.000.600	DIN 125 RONDELLE M6	
2	6	BS-502.000.600	DIN 985 ECROU NYLON M6	
3	2	BS-512.000.816	DIN 933 VIS M8X16	
4	2	BS-532.008.254	RONDELLE DE CARROSSERIE M8X25X2	
5	1	MPA-01.121.115	SCHARNIERTAP INSTEEKSCHIJF	
6	1	MPA-01.121.155	POSITIOONERINGSPLAAT	S235J2G3
7	1	BS-502.001.200	DIN 985 ECROU NYLON M12	
8	1	BN-000.212.550	BLOKEERSTIFT A-M12X1,5	
9	1	MPA-01.121.160	GETANDE SCHIJF 30 T	
10	1	MPA-01.121.150	ERTALONRING	NYLON
11	6	BS-522.100.625	DIN 7991 VIS A TETE FRAISEE M6X25	

ELIET EDGE STYLER PRO -- DIRECTION GUIDE

NO	MMA-01.121.140	REV	1	DATE	2009/03/11
----	----------------	-----	---	------	------------



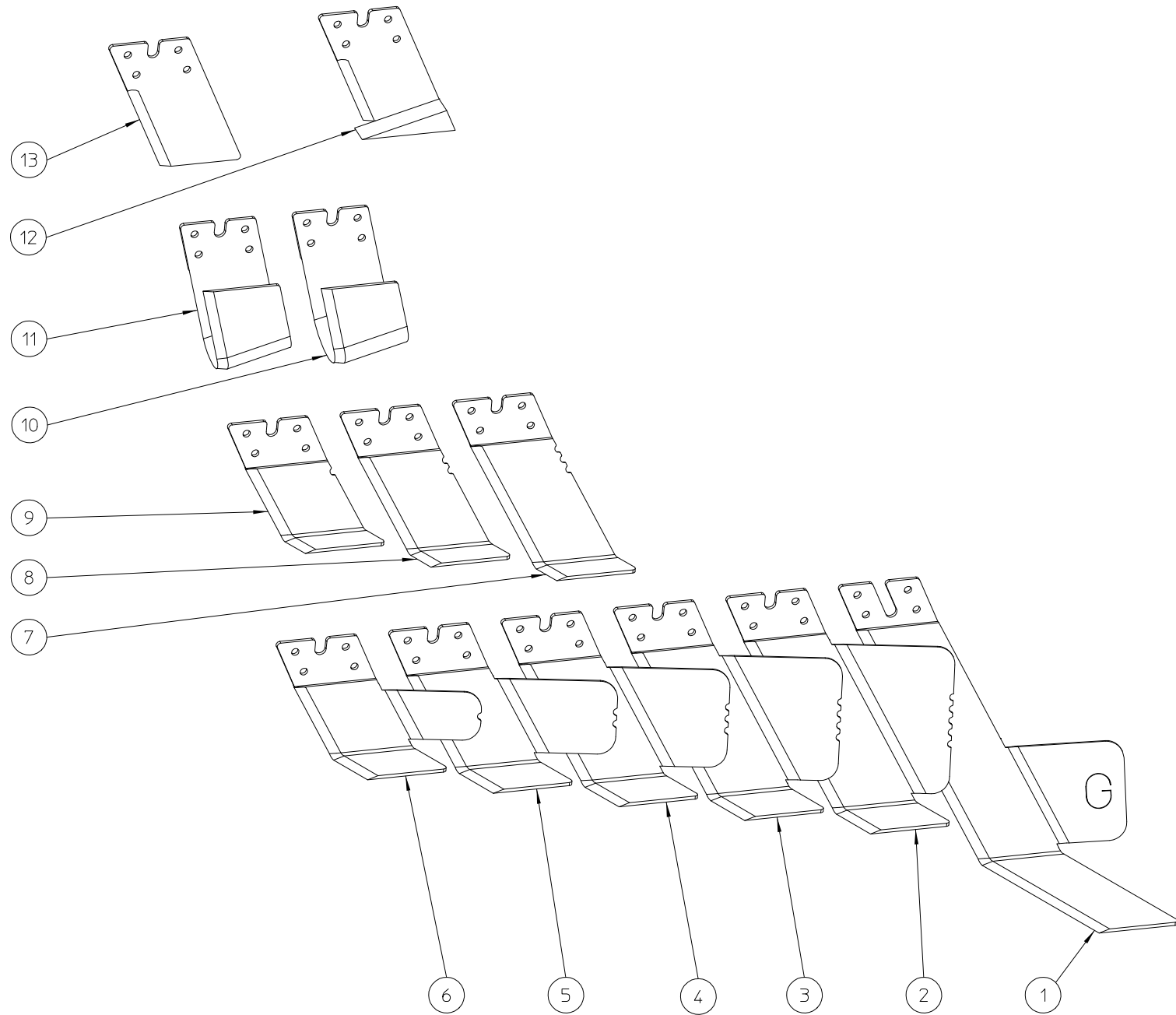
ELIET EDGE STYLER -- CUTTING UNIT					
NO	MMA-01.121.150	REV	1	DATE	2009/03/26

NOMENC: MMA-01.121.150

Pos	Qté	Nom	Description	Matériau
1	3	BY-100.106.100	GRAISSEUR M6	
2	9	BS-531.000.600	DIN 125 RONDELLE M6	
3	1	MPA-01.121.040	SLUITPLAATJE MESSEN	
4	7	BS-531.000.800	DIN 125 RONDELLE M8	
5	1	BN-530.108.800	VERSTELBAREKLEMHENDEL M8 INWENDIG	
6	1	MPA-01.121.045	LAGERING MESSEN	
7	3	BL-866.010.010	BAGUE EN BRONZE FMTC20	
8	4	BR-302.120.284	BOURRAGE 20X28X4	
9	4	BB-002.000.280	CIRCLIPS INTERIEUR DIA:28	
10	4	BR-000.811.930	CAOUTCHOUC MOUFFLE VAJ 119	
11	3	BR-111.201.010	ERTALON 6SA 33X19,9X10	
12	2	MPA-01.121.105	TUSSENRING 40 LAGER	
13	2	BS-531.001.000	DIN 125 RONDELLE M10	
14	2	BS-512.001.025	DIN 933 VIS M10X25	
15	1	BB-001.000.500	BORGVEER DIA.50X2-UITW. DIN 471	
16	2	BR-112.503.400	NYLONLAGER 50X56/34	
17	1	MPA-01.121.050	DRIJFSTANG	
18	1	MPA-01.121.060	LAGERING MESGELEIDING	
19	2	BS-502.000.800	DIN 985 ECROU NYLON M8	
20	2	BR-500.102.500	CARROSSERIESTOP 25X0,8X2,00 MM	
21	5	BS-512.000.612	DIN 933 VIS M6X12	
22	1	BV-919.000.020	RESSORT DE TRACTION	
23	3	BS-502.000.600	DIN 985 ECROU NYLON M6	
24	1	BQ-505.010.380	ZELFKLEVER AFSCHERMING MESSEN	
25	1	MPA-01.121.035	AFSCHERMING MESSEN	
26	2	BS-512.000.620	DIN 933 VIS M6X20	
27	1	BS-501.000.600	DIN 934 ECROU M6	
28	1	MPA-01.121.070	VERBINDINGSLAT PEDAAL	
29	1	BS-511.000.841	DIN 931 VIS M8X45	
30	1	MPA-01.121.165	RATEL	
31	1	BV-922.000.010	TORSIEVEER RATEL	
32	1	BS-501.900.800	DIN 439 1/2 ECROU M8	
33	1	BV-011.009.007	TREKVEER 1X9X75	
34	1	BS-532.006.224	RONDELLE DE CARROSSERIE M6X22X2 DIN 440	
35	2	BL-001.503.203	DIN 625 ROUL.NTN 6002 2RZ	
36	1	MPA-01.121.065	KOPPELINGSPEDAAL	
37	1	MPA-01.121.030	TUSSENRING	
38	1	MPA-01.121.170	TANDWIEL KOPPELING	
39	2	BS-023.000.612	DIN 916 VIS DE PRESSION M6X12	
40	1	BB-341.050.516	SPIE 5X5X16 DIN 6880	
41	2	BR-112.152.100	BAGUE NYLON AVEC EP (23X18X15X1+20)	
42	1	BS-512.000.825	DIN 933 VIS M8X25	
43	1	MPA-01.121.075	STEUN KOPPELINGSPEDAAL	
44	2	BS-522.100.816	DIN 7991 VIS A TETE FRAISEE M8X16	
45	1	MPA-01.121.135	TANDLAT	
46	1	MPA-01.121.095	STEUN AFSCHERMING MESSEN	
47	2	BS-023.000.608	DIN 916 VIS DE PRESSION M6X8	
48	1	MPA-01.121.100	TUSSENRING 50 LAGER	

ELIET EDGE STYLER --- CUTTING UNIT

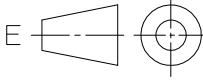
NO	MMA-01.121.150	REV	1	DATE	2009/03/26
----	----------------	-----	---	------	------------

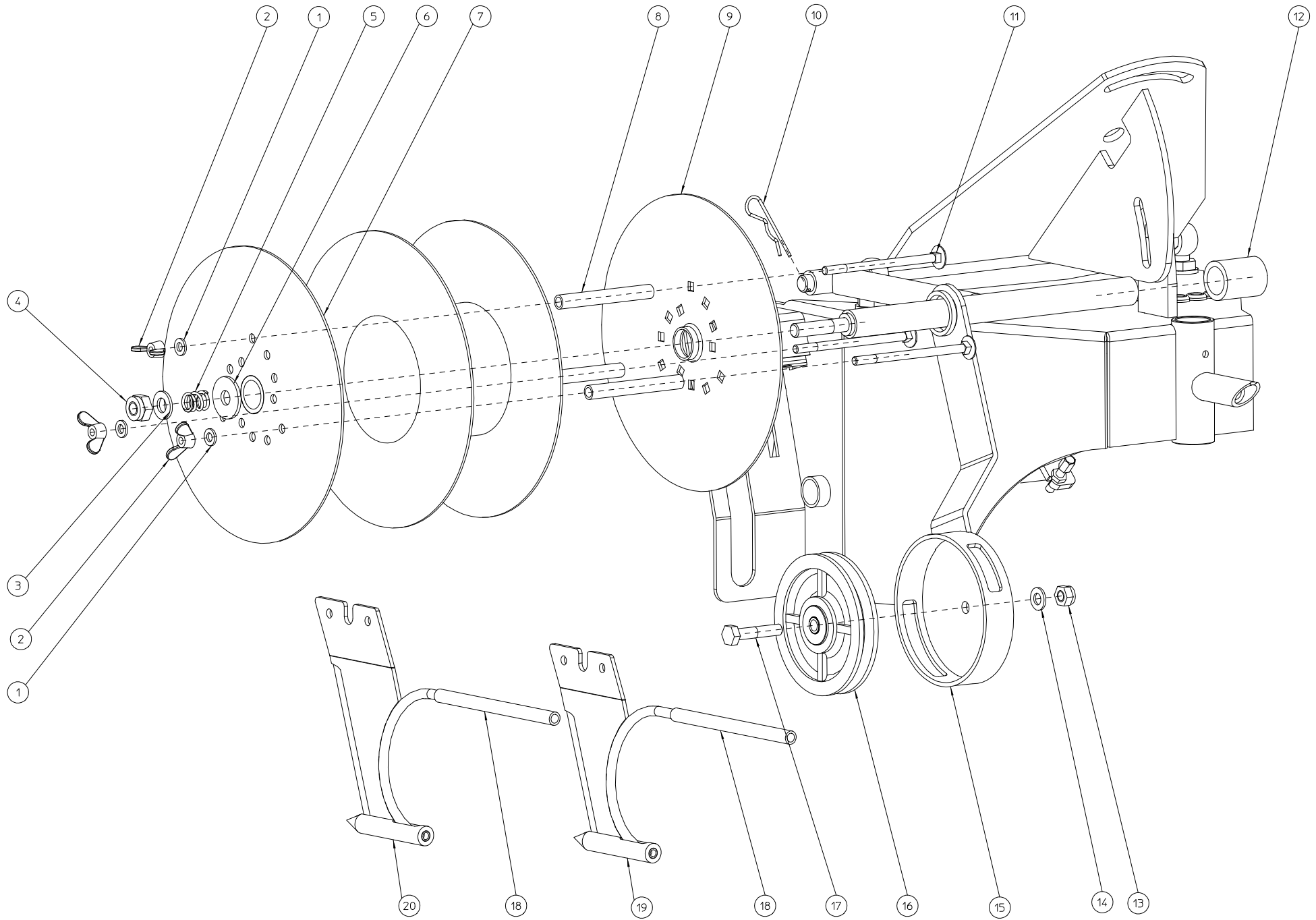


ELIET EDGE STYLER -- BLADE KIT					
NO	MMA-01.121.160	REV	1	DATE	2009/03/11

NOMENC: MMA-01.121.160

Pos	Qté	Nom	Description	Matériau
1	1	BU-104.103.400	GOLF BUNKER MES-WD 130/150	
2	1	BU-104.100.500	STD MES TYPE 5V-WD 10CM	
3	1	BU-104.100.400	STANDAARDMES TYPE 4V WD-8CM	
4	1	BU-104.100.300	STANDAARDMES TYPE 3V WD-6CM	
5	1	BU-104.100.200	STANDAARDMES TYPE 2VV WD-4CM	
6	1	BU-104.100.100	STANDAARDMES TYPE 1V WD-2CM	
7	1	BU-104.103.300	HOEKMES TYPE 3V-WD 6CM	
8	1	BU-104.103.200	HOEKMES TYPE 2V-WD 4CM	
9	1	BU-104.103.100	HOEKMES TYPE 1V-WD 2CM	
10	1	BU-104.102.200	U-MES 50MM-WD 5CM	
11	1	BU-104.102.100	U-MES 35MM-WD 5 CM	
12	1	BU-104.104.100	BORDUURMES EDGESTYLER WD-3CM	
13	1	BU-104.101.100	RECHT MES WD 4 CM	

Machine EDGE_STYLER		N° of Pieces ✓ ()		Overall Tol ISO 2768 - fH	
TITLE ELIET WWW.ELIET.EU		ELIET EDGE STYLER -- BLADE KIT MMA-01.121.160			DRWNR
MATERIAL		FORMAT A4H	SCALE 1:1	REVISION 1	NAME koen
		ELIET N.V. - Zwevegemstraat 136 - B-8553 OTEGEM Tel.: +32/56/77.70.88 - Fax.: +32/56/77.5213		SHEET 2 of 2	DATE 2009/03/11



ELIET EDGE STYLER -- CABLE PULLER					
NO	MMA-01.121.170	REV	1	DATE	2009/03/13

NOMENC: MMA-01.121.170

Pos	Qté	Nom	Description	Matériau
1	3	BS-531.000.600	DIN 125 RONDELLE M6	
2	3	BS-504.500.600	VLEUGELMOER DIN-315 M6	
3	1	BS-531.001.000	DIN 125 RONDELLE M10	
4	1	BS-502.001.001	DIN 985 ECROU NYLON M10X1,25	
5	1	BV-911.000.010	RESSORT DE PRESSION DIA 14 X 2 X 16	
6	1	BS-532.010.305	RONDELLE DE CARROSSERIE M10X30X2.5	
7	1	MPA-01.121.300	FLENS BOBIJN VOOR	
8	3	MPA-01.121.290	TUSSENBUIJSJE BOBIJN	S235J2G3
9	1	MPA-01.121.295	FLENS BOBIJN ACHTER	
10	1	BB-040.102.040	GOUPILLE A RESSORT EPINGLE 2MM	
11	3	BS-554.000.650	HOUTBOUT DIN 603/555 M6X100	
12	1	BR-200.219.003	TECHNOBEL SLANG 19X27X3,5 CM	
13	1	BS-502.000.800	DIN 985 ECROU NYLON M8	
14	1	BS-531.000.800	DIN 125 RONDELLE M8	
15	1	MPA-01.121.310	STEUN DRAADBOBIJN	
16	1	BA-032.099.200	OMLEIDWIEL 100X82X22 ERTALON	
17	1	BS-511.000.840	DIN 931 VIS M8X40	
18	2	BR-210.706.013	LEIDING DOORZICHTIG 6,3X9,5X135	
19	1	BU-104.104.202	STEEKMES BEDRADING ROBOMAAIER WD-5CM	
20	1	BU-104.104.203	STEEKMES ROBOMAAIER WD-7CM	

ELIET EDGE STYLER -- CABLE PULLER

NO	MMA-01.121.170	REV	1	DATE	2009/03/13
----	----------------	-----	---	------	------------