

7230F 3/4" Offset pivot, 1000lb with top header mount and bottom base mount, fire rated

- Maximum door load 1000 pounds
- Recommended for use with 1-3/4" minimum door thickness, with 1/8" bevel in 2"
- Vertical adjustment range 3/16", with positive locking
- Non-handed
- 7230F Set (7230F Top and 7230F Btm)
- 7230F Top (7230F-7237F Top), header mount
- 7230F Btm (7230F Btm), base plate mount

Certifications

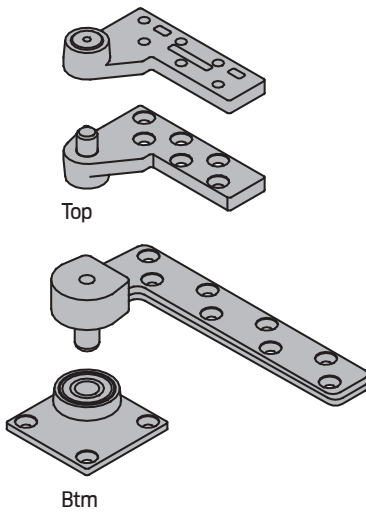
- Meets ANSI/BHMA A156.4 C07162
- UL Listed, 3 hour fire doors

Material substrate

- Made from 304 series stainless steel

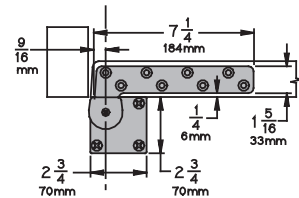
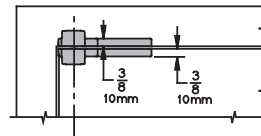
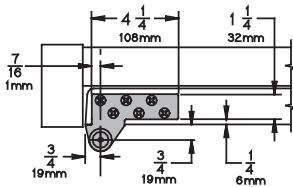
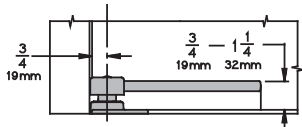
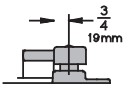
Available accessory items

- Use 7230F INT (7230F-7237F) Intermediate Pivot (handed) as needed. See General Information for specifics on how many intermediate pivots are recommended.
- For additional electrical wiring applications, consult product support.



Top

Btm



7230F Finishes

BHMA	Description	Substrate	Finish
629	Bright stainless	Stainless steel	US32
630	Satin stainless	Stainless steel	US32D
631	Matte black	Stainless steel	BLK
632	Bright brass	Stainless steel	US3
639	Satin bronze	Stainless steel	US10
---	Aged bronze	Stainless steel	643e/716
689	Aluminum painted	Stainless steel	SP28
691	Bronze painted	Stainless steel	SP10
695	Dark bronze painted	Stainless steel	SP313
706	Brass painted	Stainless steel	SP4

For other colors, consult factory.