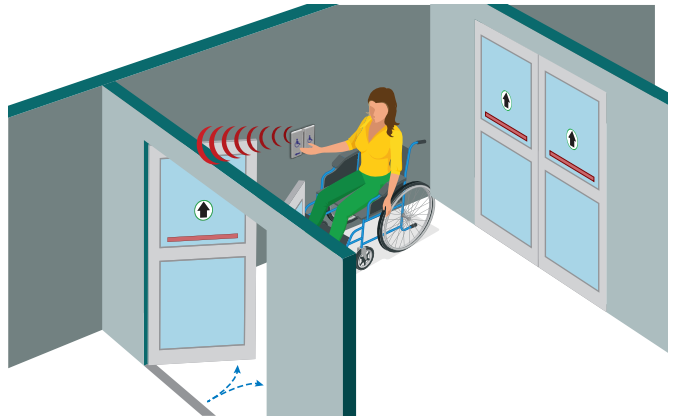
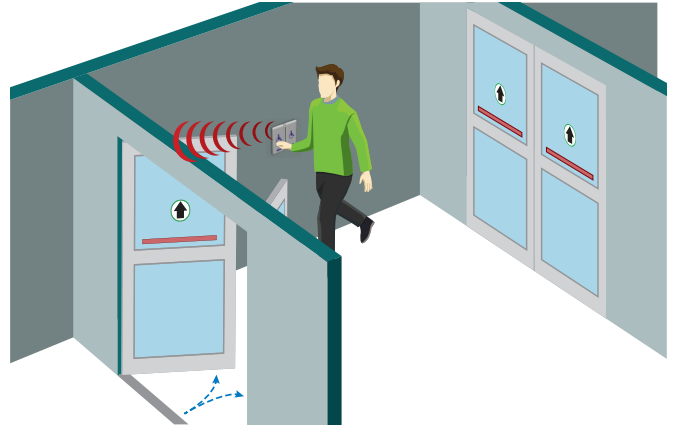


# VESTIBULE PUSH PLATE

## STAINLESS STEEL ACTUATOR



### PRIMARY APPLICATIONS



### DESCRIPTION

BEA's vestibule push plate improve overall access, enhance accessibility for those with limited mobility and disabilities and seamlessly integrate with an automatic door's activation.

These ADA-compliant push plates combine two jamb style plates that fit into one double gang mounting box for ease of installation.

This push plates may be hard wired to the door operator or connected to BEA's line of wireless transmitters.

### FEATURES & BENEFITS

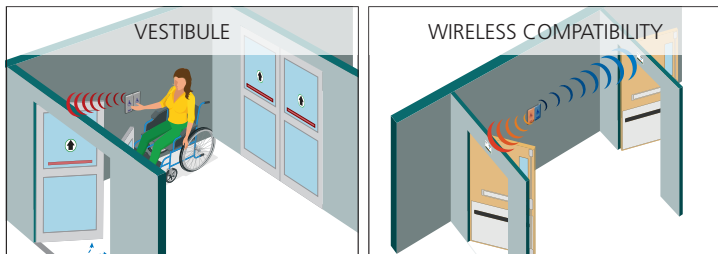
- $\frac{1}{16}$  inch thick stainless steel for maximum durability
- Concealed fasteners to minimize vandalism
- Complete kits available including plates, mounting boxes and optional wireless devices for ease of ordering
- Compatible with both surface and flush mount boxes



BEA, Inc.  
RIDC Park West  
100 Enterprise Drive  
Pittsburgh, PA 15275-1213

Customer Service: 800.523.2462  
Technical Support: 800.407.4545  
www.BEAinc.com

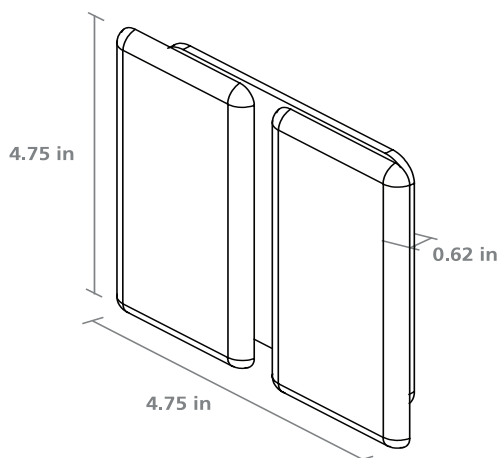
## APPLICATIONS



## TECHNICAL SPECIFICATIONS

<b>Faceplate Material</b>	16 gauge, 304 2B Stainless Steel
<b>Backplate Material</b>	1/8 inch thick, Aluminum
<b>Mounting Screws</b>	Stainless Steel, 6-32 x 1 in & 8-32 x 1 in Allen Head Size: 5/64
<b>Cherry Switch</b>	Single-pole, 15 A, COM / NO / NC, UL Recognized
<b>Compatible Wireless Frequencies</b>	900, 433 or 300 MHz
<b>Faceplate Dimensions</b>	4.75 in (W) x 4.75 in (H) x 0.62 in (D)

## DIMENSIONAL DRAWINGS



## RELATED PRODUCTS



10PBDGP1

"PUSH TO OPEN" TEXT  
& HANDICAP LOGO

[www.BEAinc.com](http://www.BEAinc.com)

© 2018 BEA, Inc. All rights reserved.

VESTIBULE PUSH PLATE STAINLESS STEEL ACTUATOR

BEA, Inc.  
RIDC Park West  
100 Enterprise Drive  
Pittsburgh, PA 15275-1213

Customer Service: 800.523.2462  
Technical Support: 800.407.4545

