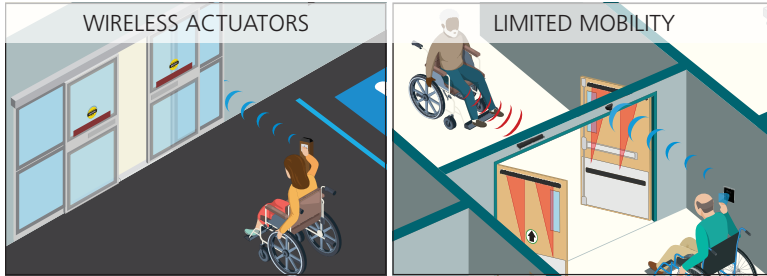


# 433 MHZ FAMILY

## 433 MHz WIRELESS TRANSMITTERS AND RECEIVERS



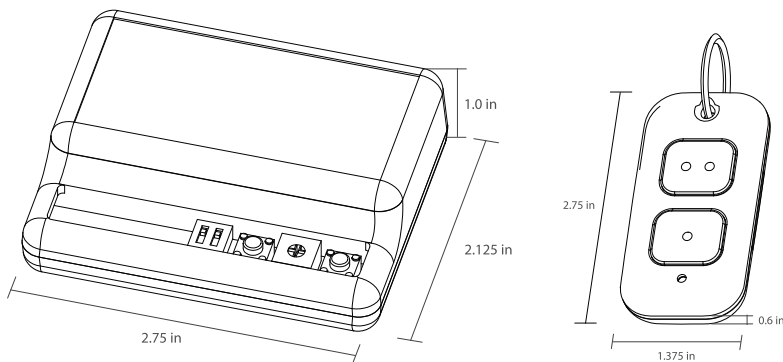
### APPLICATIONS



### TECHNICAL SPECIFICATIONS

<b>Frequency</b>	433 MHz
<b>Radio Control Type</b>	Digital
<b>Emitted Radio Power</b>	-28.7 dBm (transmitter)
<b>Power Consumption</b>	3 mA (transmitter); 30 mA (receiver)
<b>Power</b>	Hardwired: 1 9-volt or 3-volt battery Handheld: 1 3-volt battery
<b>Input Voltage</b>	12 – 24 VAC / VDC (receiver)
<b>Contact Rating</b>	1.0 A @ 30 VDC 0.5 A @ 125 VAC 0.3 A @ 60 VDC
<b>Operating Temperature</b>	14 °F – 131 °F (-10 °C – 55 °C)
<b>Capacity</b>	100 transmitters
<b>LED Functionality</b>	Receiver / Transmitter Learn: RED Relay Activity: BLUE
<b>Dimensions</b>	Receiver: 2.125 in (W) × 1.0 in (H) × 2.75 in (D) Transmitter: 1.375 in (W) × 0.6 in (H) × 2.75 in (D)
<b>Norm Conformance</b>	CE, FCC, IC

### DIMENSIONAL DRAWINGS



### RELATED PRODUCTS

<p><b>10RD433</b> 433 MHz RECEIVER</p>	<p><b>10RD433EH</b> EXTENDED HOLD TIME RECEIVER</p>	<p><b>10TD433HH1</b> ONE BUTTON TRANSMITTER</p>
<p><b>10TD433HH2</b> TWO BUTTON TRANSMITTER</p>	<p><b>10TD433HH3</b> THREE BUTTON TRANSMITTER</p>	<p><b>10TD433HH4</b> FOUR BUTTON TRANSMITTER</p>
<p><b>10TD433PB3V</b> ONE BUTTON, 3-VOLT WIRED TRANSMITTER</p>	<p><b>10TD433PB9V</b> ONE BUTTON, 9-VOLT WIRED TRANSMITTER</p>	

www.BEAinc.com

© 2018 BEA, Inc. All rights reserved.

433 MHZ FAMILY 433 MHZ WIRELESS TRANSMITTERS AND RECEIVERS

BEA, Inc.  
RIDC Park West  
100 Enterprise Drive  
Pittsburgh, PA 15275-1213

Customer Service: 800.523.2462  
Technical Support: 800.407.4545

