

7160, 7170

Electric Strikes for Mortise or Cylindrical Locks

7160, 7170 Electric Strikes with 4-7/8" [123.8 mm] faceplates are designed for use with mortise or cylindrical type locksets with up to 3/4" [19.1 mm] latchbolt projection without deadbolt. **7160 Electric Strikes** are for use in aluminum applications. **7170 Electric Strikes** are for use in hollow metal or wood applications.

Function

Remote electrical control of narrow stile aluminum doors (**7160**) or hollow metal/wood doors (**7170**) equipped with a mortise or cylindrical lockset with up to 3/4" [19.1 mm] latchbolt projection without deadbolt. Electrical actuation unlocks the keeper, releasing the latchbolt so the door may be opened without operating the latch itself. The electric strike must be positioned to accommodate offset mortise latches during installation. Please refer to installation instructions or contact factory for more information.

Certifications

UL 1034 burglary-resistant listed

UL 294 (6th Edition) listed



7160



7170



LISTED



Grade 1



Burglary Listed



Electrified Product

Features

Case

1" x 3-3/8" x 1-7/8" deep
[25.4 mm x 85.7 mm x 47.6 mm].

Strike Opening

Bolt retaining keeper is stainless steel.
Strike location must be centered on latchbolt.

7160: 3/4" x 1-7/16" x 5/8" deep
[19.1 mm x 36.5 mm x 15.9 mm deep].

7170: 5/8" x 1-7/16" x 5/8" deep
[15.9 mm x 36.5 mm x 15.9 mm deep].

Strike Lip

Basic strike has lip of proper length for 1-3/4" [44.5 mm] thick door that closes flush with jamb edge. Where door thickness or jamb shape differs from this standard relationship, lip extension kits are available, specified by last dash number.

Latchbolt Projection

3/4" [19.1 mm]

Faceplate

1-1/4" x 4-7/8" [31.8 mm x 123.8 mm].
Available in a variety of architectural finishes.

7160: Flat with radius corners

7170: Flat with square corners

Standard Package

Individually boxed with mounting screws.

7160 includes mounting clips, adhesive shims to accommodate jamb or stile extrusion thickness greater or less than nominal 1/8" [3.2 mm].

7170 includes mounting clips and adhesive shims for use when welded tabs are omitted.

Shipping weight

2 lbs [0.91 kg].

Electrical

Voltage

Available in 12, 16, or 24 Volt AC and DC. DC continuous units are silent, AC intermittent units "buzz" on operation.

Current Draw

0.33A at 12 VDC	1.42A at 12 VAC
0.22A at 16 VDC	0.63A at 16 VAC
0.17A at 24 VDC	0.74A at 24 VAC

Fail Safe | Fail Secure

Field selectable at time of installation. However, AC intermittent solenoid must not be used continuously in either.

Options

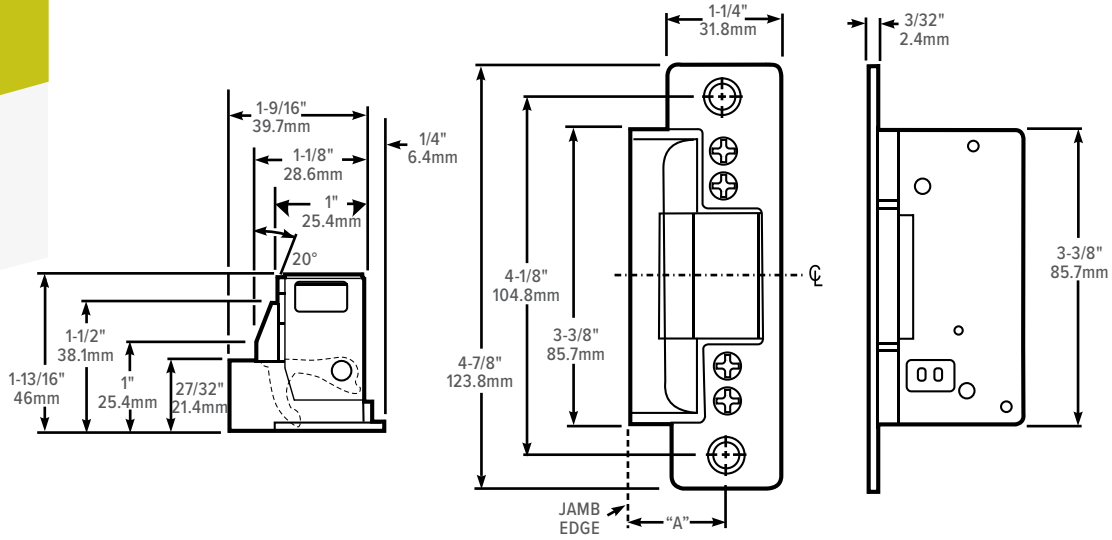
- Available with two Form 'C' monitoring switches to indicate when the latchbolt is engaged in the strike and whether the strike jaw is blocked.
- Lip extension kits for various dimensions of door centerline to jamb edge.
- **Modular Packaging**
Match one strike body kit with one faceplate kit to make a complete electric strike. Faceplate kits contain all hardware to mount electric strike. Please contact factory or sales representative for details.

Product Note

All 3/4" throw latches require 1/8" minimum door gap. Horizontal center line of strike must match line of mortise latchbolt.

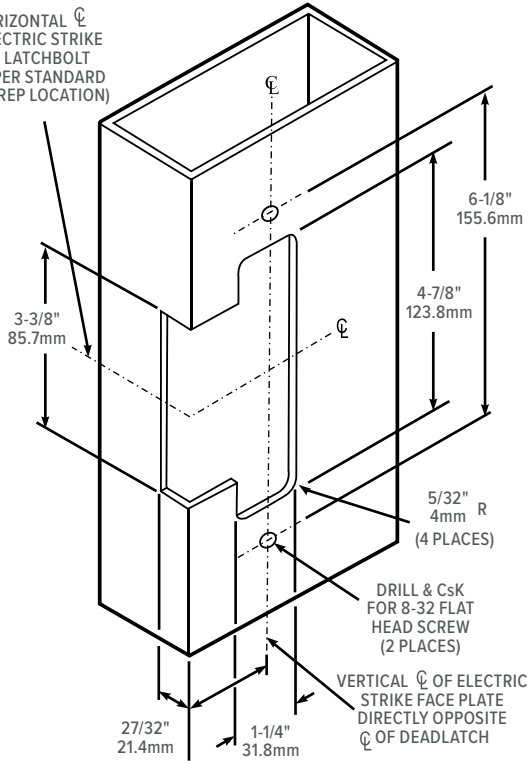
All measurements are approximate and are provided for informational purposes only. Refer to the product Installation Instructions.

7160 Dimensions

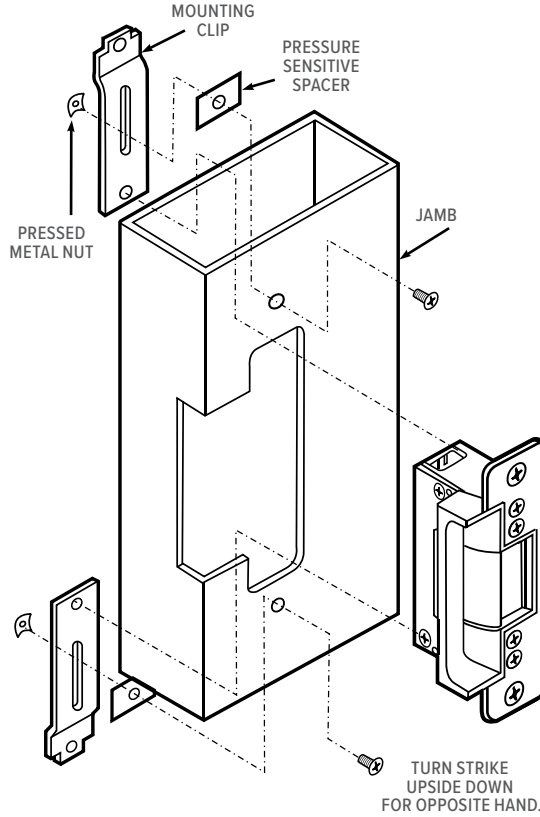


Jamb Preparation

HORIZONTAL \varnothing OF ELECTRIC STRIKE AND LATCHBOLT (NOT PER STANDARD ANSI PREP LOCATION)



Installation



How to Order

7160, 7170 Electric Strikes: Specify quantity and the following information. Order related products separately.

MODEL	APPLICATION	VOLTAGE	CURRENT AND DUTY	FEATURES*	FINISH	LIP EXTENSIONS (DIM. A) (DOOR CENTERLINE TO JAMB EDGE)	
71	60	-3	1	0	-628	-00	
	60 Aluminum Jamb	3 12 Volt	1 DC Continuous or Intermittent	0 Standard/Fail-Secure	313 Dark Bronze Anodized	00 1-1/16" or less	05 2"
	70 Hollow Metal, Wood	4 16 Volt	4 AC Intermittent	5 Fail-Safe	335 Black Anodized	01 1-1/2"	07 2-1/4"
		5 24 Volt		7 Monitored/ Fail-Safe	626 Satin Chrome	02 1-5/8"	09 2-1/2"
				9 Monitored/ Fail-Secure	628 Clear Anodized	03 1-3/4"	12 2-7/8"

*Fail-secure can be field converted to fail-safe or vice-versa