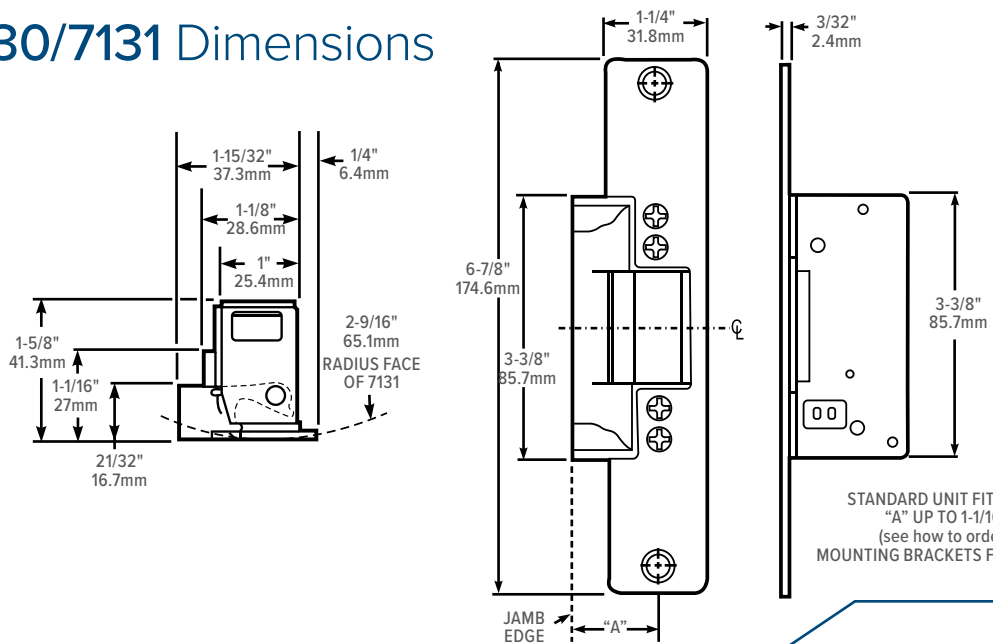
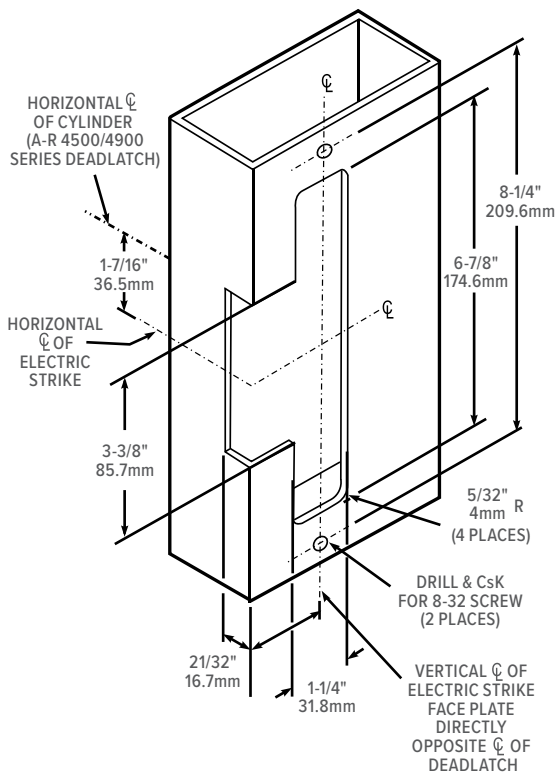


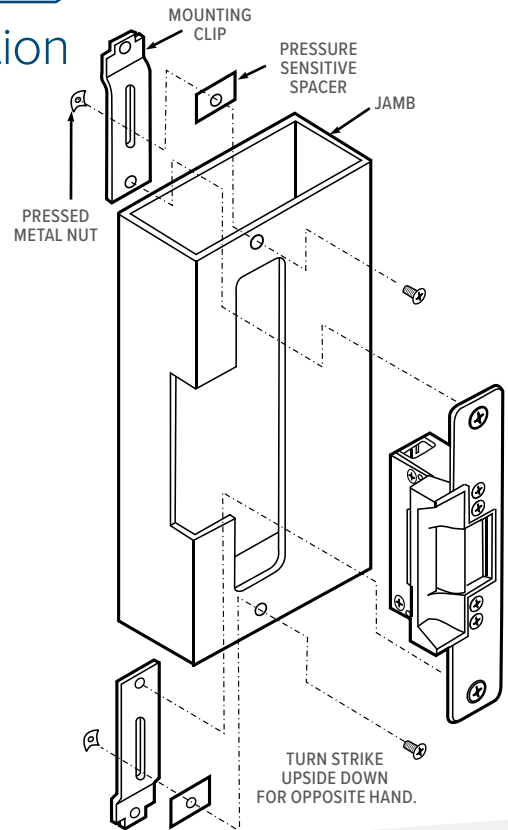
7130/7131 Dimensions



Jamb Preparation



Installation



How to Order

7130/7131 Electric Strikes: Specify quantity and the following information. Order related products separately.

MODEL	FACEPLATE SHAPE	VOLTAGE	CURRENT AND DUTY	FEATURES*	FINISH	LIP EXTENSIONS (DIM. A)** (DOOR CENTERLINE TO JAMB EDGE)	
713	0	-3	1	0	-313	-00	
	0 Flat	3 12 Volt	1 DC Continuous or Intermittent	0 Standard/Fail-Secure	313 Dark Bronze Anodized	00 1-1/16" or less	05 2"
	1 Radius	4 16 Volt	4 AC Intermittent	5 Fail-Safe	335 Black Anodized	01 1-1/2"	07 2-1/4"
		5 24 Volt			628 Clear Anodized	02 1-5/8"	09 2-1/2"
						03 1-3/4"	12 2-7/8"

*Fail-secure can be field converted to fail-safe or vice-versa. **Lip Extensions not available on 7131.