

## Features

### Case

1" x 3-3/8" x 1-5/8" deep  
[25.4 mm x 85.7 mm x 41.3 mm deep].

### Strike Opening

5/8" x 1-7/16" x 1/2" deep  
[15.9 mm x 36.5 mm x 12.7 mm deep].  
Bolt retaining keeper is stainless steel.  
Strike accepts bolt of any Adams Rite  
4500, 4700 (discontinued), or 4900  
Deadlatch or cylindrical latches.

### Strike Lip

Basic strike has lip of proper length for  
1-3/4" [44.5 mm] thick door that closes  
flush with jamb edge. Where door  
thickness or jamb shape differs from this  
standard relationship, lip extension kits are  
available, specified by last dash number.

- Lip extension kits not available  
on 7101 or 7131.

### Latchbolt Projection

1/2" to 5/8" [12.7 mm to 15.9 mm]

### Faceplate

Available in a variety of architectural finishes.

7100	1-1/4" x 4-7/8" [31.8 mm x 123.8 mm]	Flat with radius corners
7101	1-1/4" x 4-7/8" [31.8 mm x 123.8 mm]	Radiused to match nose on inactive leaf in a pair of narrow stile doors.
7110	1-7/16" x 7-15/16" [36.5 mm x 201.6 mm]	Flat with radius corners
7111	1-7/16" x 10-1/4" [36.5 mm x 260.4 mm]	Flat with radius corners
7130	1-1/4" x 6-7/8" [31.8 mm x 174.6 mm]	Flat with radius corners
7131	1-1/4" x 6-7/8" [31.8 mm x 174.6 mm]	Radiused to match nose on inactive leaf in a pair of narrow stile doors
7140	1-1/4" x 4-7/8" [31.8 mm x 123.8 mm]	Flat with square corners

**7130/7131:** Large 6-7/8" faceplate is designed  
to cover strike opening when converting from  
an MS® pivoted-bolt deadlock to deadlatch.

### Standard Package

Individually boxed with mounting screws,  
mounting clips, adhesive shims to  
accommodate jamb or stile extrusion thickness  
greater or less than nominal 1/8" [3.2 mm].

7140 Includes mounting clips and adhesive  
shims for use where welded tabs are omitted.

### Shipping Weight

2 lbs [0.91 kg].

## Electrical

### Voltage

Available in 12, 16, or 24 Volt AC and  
DC. DC continuous units are silent, AC  
intermittent units "buzz" on operation.

### Current Draw

0.33A at 12 VDC      1.42A at 12 VAC  
0.22A at 16 VDC      0.63A at 16 VAC  
0.17A at 24 VDC      0.74A at 24 VAC

### Fail Safe | Fail Secure

Field selectable at time of installation.  
However, AC intermittent solenoid must  
not be used continuously in either.

## Options

- Available with two Form 'C' monitoring  
switches to indicate when the latchbolt  
is engaged in the strike and whether the  
strike jaw is blocked.  
Not available on 7130/7131, 7140.
- Lip extension kits for various  
dimensions of door centerline to  
jamb edge; for flat faceplates only.  
Not available on 7101 or 7131.
- Modular Packaging**  
Match one strike body kit with one  
faceplate kit to make a complete electric  
strike. Faceplate kits contain all hardware  
to mount electric strike. Please contact  
factory or sales representative for details.

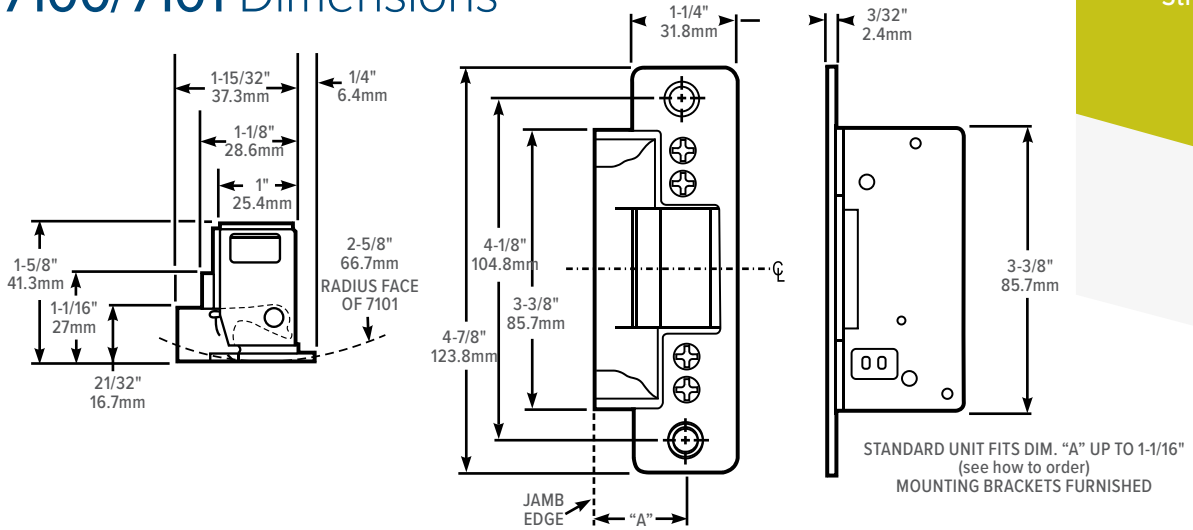
## Related Products

### 7100/7101, 7110/7111, 7130/7131, 7140

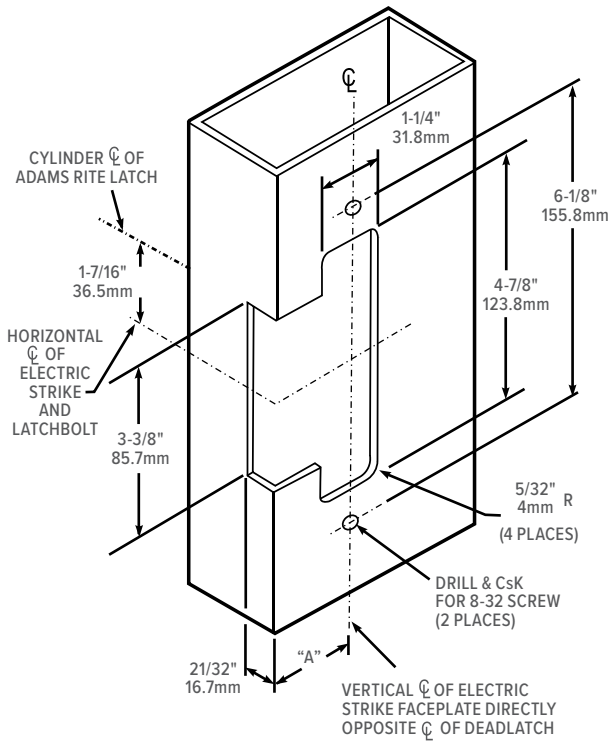
When purchasing this product, please consider the following related products, available separately:

DEADLATCHES	EXIT DEVICES	ACCESSORIES	POWER
4510, 4530, 4900, 4920AN Series Deadlatches	8300, 8400 Mortise Exit Device	Lip Extension Kits, Modular Kits, Monitor Kits	PS-1 Power Supply, 4603 Rectifier, 4605/4606 Transformer, Piezo Horn audible indicator, ElectroLynx connector

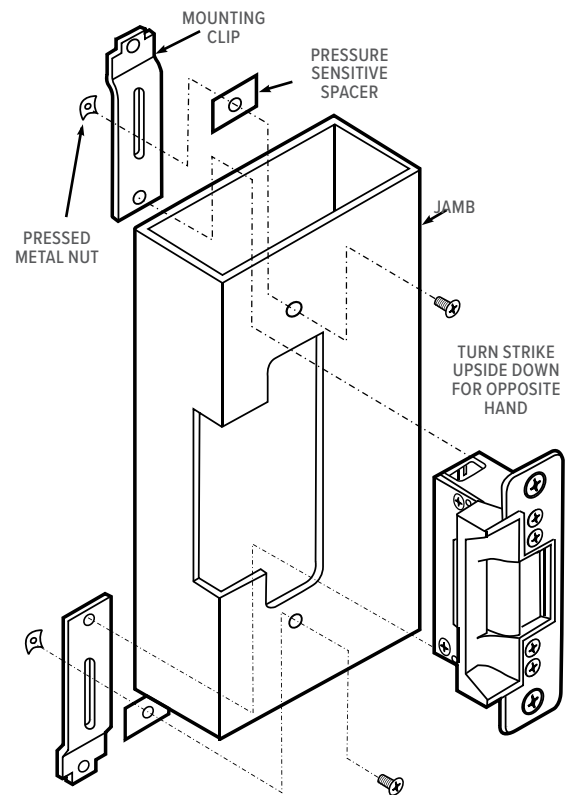
# 7100/7101 Dimensions



## Jamb Preparation



## Installation



## How to Order

**7100/7101 Electric Strikes:** Specify quantity and the following information. Order related products separately.

MODEL	FACEPLATE SHAPE	VOLTAGE	CURRENT AND DUTY	FEATURES*	FINISH**	LIP EXTENSIONS (DIM. A)*** (DOOR CENTERLINE TO JAMB EDGE)	
710	0	-3	1	0	-628	-00	
	0 Flat	3 12 Volt	1 DC Continuous or Intermittent	0 Standard/Fail-Secure	313 Dark Bronze Anodized	00 1-1/16" or less	05 2"
	1 Radius	4 16 Volt	4 AC Intermittent	5 Fail-Safe	335 Black Anodized	01 1-1/2"	07 2-1/4"
		5 24 Volt		7 Monitored/ Fail-Safe	626 Satin Chrome	02 1-5/8"	09 2-1/2"
				9 Monitored/ Fail-Secure	628 Clear Anodized	03 1-3/4"	12 2-7/8"

\*Fail-secure can be field converted to fail-safe or vice-versa. \*\*7101 available in 313, 335, 628 only. \*\*\*Lip Extensions not available on 7101.