

5017

Deadlock/Deadlatch

5017 Deadlock/Latch provides the strength and deeper backset required to secure sliding wood doors.

Function

For wood framed sliding doors, the 5017 Wood Door Deadlock/Latch provides the same 1000 lbs strength that the MS1847 Deadlock/Latch provides for metal stiles. A deeper backset clears the recessed jamb used with wood doors. The bolt throw is easily adjusted by means of a screw in the faceplate. Mounting is by through-bolts, which also secure the inside turn and outside cylinder when installed.

Operation

45° rotation of turn or key projects or retracts bolt. Bolt is self-protecting: if door is shut while bolt is extended, it will retract, preventing damage or accidental lock-out. Cylinder pulls available separately for keyed operation.



Features

Cylinder Backset

1-3/16" [30.2 mm]; 1-1/4" [31.8 mm] including faceplate.

Case

Measures 1/2" x 4" x 1-19/32" deep [12.7 mm x 101.6 mm x 40.5 mm deep]. Stainless steel.

Bolt

Three-ply laminated stainless steel.

Cylinder Pull

(4026 Pull) Five pin tumbler cylinder in zinc alloy housing. Standard finish 130 Satin Aluminum.

Lock

Stainless steel, 5/8" x 4-1/2" [15.9 mm x 114.3 mm] with radiused ends.

Turn

1015 Turn available with 1016 blank plate shown for doors from 5/6" [21.2 mm] to 2-1/4" [57.2 mm] thickness.

Without blank plate turn available (for use with cylinder pull) on doors from 1-7/16" [36.5 mm] to 2" [50.8 mm] thickness. Standard finish 130, Satin Aluminum enamel.

Standard Package

Cylinder pull available separately.

Shipping weight

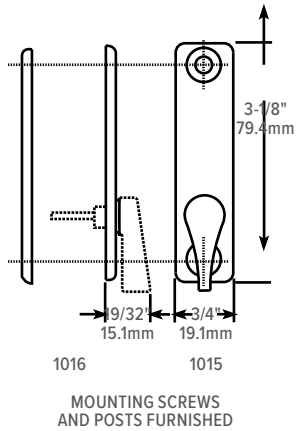
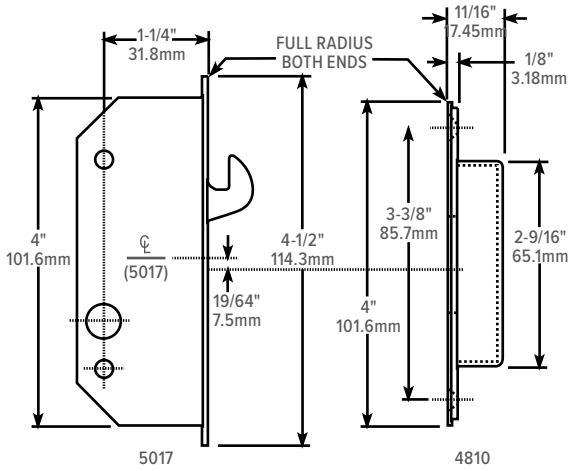
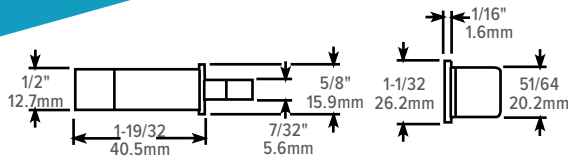
1/2 lb [0.23 kg].

Options

- 1015 Turn for inside operation is available alone (for use with 4026 cylinder pull on outside) or with a blank 1016 outside trim plate and binder posts (when cylinder is not required).
- 4810 Box Strike with wood screws available separately.

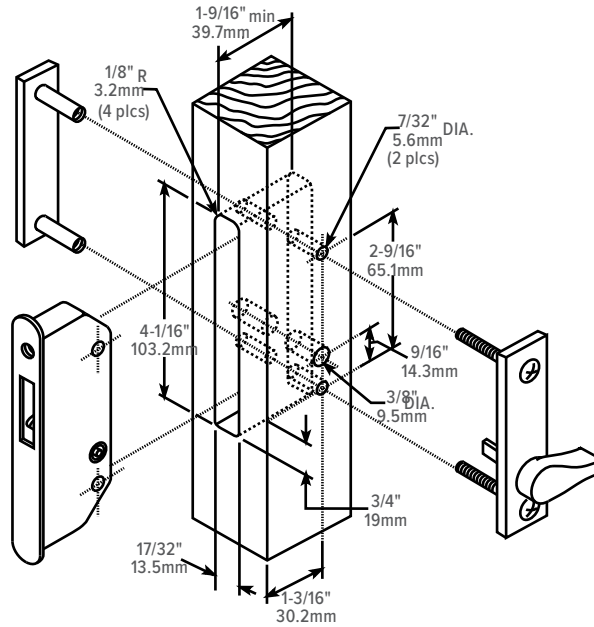
All measurements are approximate and are provided for informational purposes only. Refer to the product Installation Instructions.

Dimensions



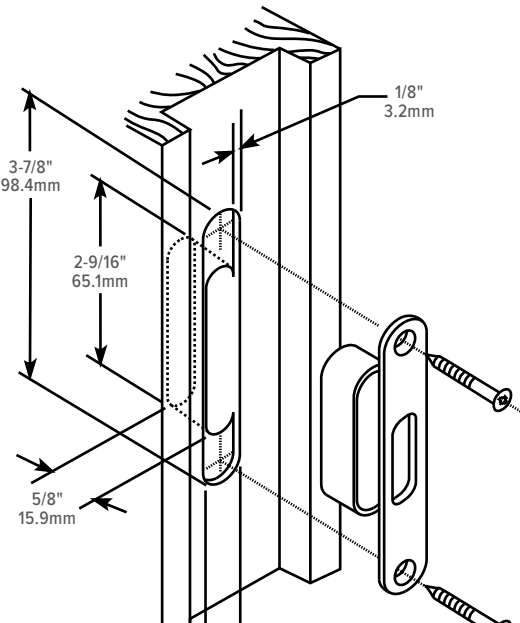
Stile Preparation

For lock, turn & cylinder pull



Jamb Preparation

For strike



How to Order & Related Products

5017 Deadlock/Deadlatch: Specify quantity and the following information. Order related products separately.

MODEL	LATCH CONFIGURATION
5017	-00
	00 Standard
	02 Self Latching

RELATED

When purchasing this product, please consider the following related products, available separately:

TRIM	CYLINDERS	ACCESSORIES
1004, 1015, 1016 Series Turn	4024, 4025, 4026 Cylinder Pulls	4810 Strike for wood installations