

4920AN

Heavy Duty Deadlatch (ANSI Size)

4920AN Heavy Duty Deadlatch provides flexible traffic control and easy installation for wood or hollow metal doors.

Function

Flexibility of traffic control and installation is offered by 4920AN Heavy Duty Deadlatches. A key-controlled bolt hold-back feature allows for two-way traffic for applications which require free entrance at certain times and exit-only at other times. This allows a "locked" entrance to be used as an exit by visitors already in the building. 1-3/4" [44.5 mm] minimum door thickness required. Interchangeable, without stile modification, with any MS1850SN Deadlock of same backset and faceplate shape. Replaces 4520 and discontinued 4720 ANSI Deadlatches. For hollow metal or wood doors prepared for hardware according to the specifications of the American National Standards Institute (ANSI).

Operation

Turn key or operate handle or paddle to retract spring-loaded latchbolt. To hold bolt retracted, push it in and secure by reverse turn of key. Lock accepts any standard 1" [25.4 mm] length, 1-5/32" [29.4 mm] diameter mortise cylinder with MS® cam such as the 4036 Mortise Cylinder or thumbturn such as the 4066 Thumbturn, available separately. Lock accepts cylinder from either or both sides.

Hollow
Metal

Wood

Swinging
Door

Features

Cylinder Backset

1-1/2" [38.1 mm] or
2-3/4" [69.9 mm] only.

Case

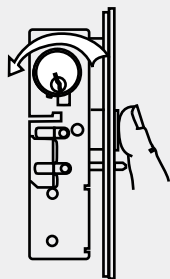
Steel with corrosion-resistant plating. Measures 7/8" x 5-13/16" x depth [22.2 mm x 147.6 mm x depth]. Depth varies by backset (see table on back of page).

Bolt Holdback

While bolt is held fully retracted, a reverse turn of the key retains the bolt, allowing the door to be free swinging.

Latchbolt

Solid brass. Handing is easily reversible without special tools. Measures 5/8" x 1" x 5/8" [15.9 mm x 25.4 mm x 15.9 mm] throw.



Auxiliary Linchpin

Stainless steel. Deadlocks Latchbolt to prevent "loiding" or case-knife entry.

Faceplate

Measures 1-1/4" x 8" [31.8 mm x 203.2 mm] armored flat faceplate can also be adjusted in the field for right or left beveled edge doors.

Strike

4506-02 Strike furnished to ANSI preparation specifications for flat jamb. Stainless steel, US32D Satin finish (630). Available without strike (-000).

Standard Package

Individually boxed with strike plate, faceplate, and mounting screws. Cylinder, paddle, handle available separately.

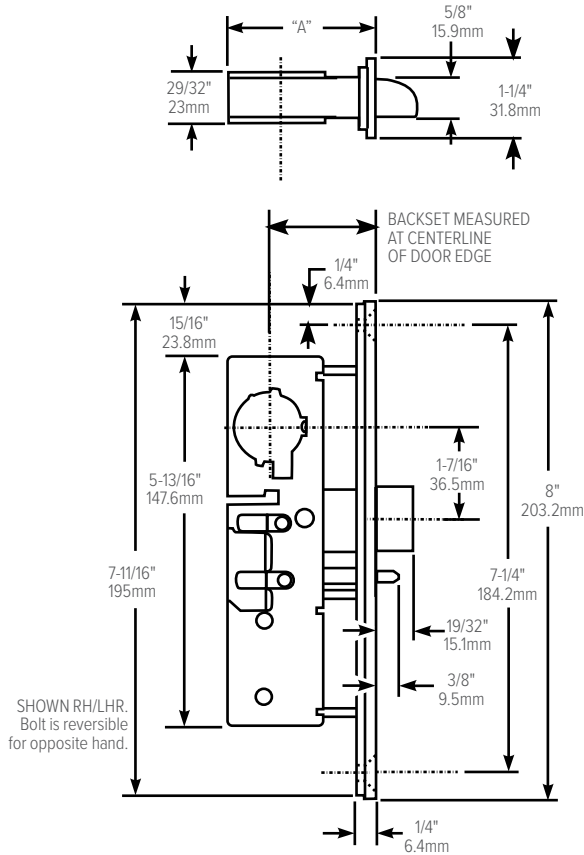
Shipping Weight

1-1/4 lbs [0.57 kg].

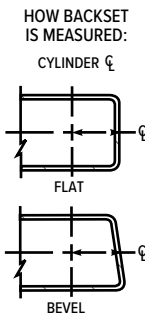
Options

- Backset, faceplate shape, strike, handing, and finish must be specified when ordering. See 4900 Heavy Duty Deadlatch for aluminum stile door applications.
- Available without faceplate and strike, select 4923AN.
- Available in choice of 313 Dark bronze anodized, 335 Black anodized, 628 Clear anodized.

Dimensions



SHOWN RH/LHR.
Bolt is reversible
for opposite hand.



HOW BACKSET
IS MEASURED:
CYLINDER ϕ

FLAT

BEVEL

ARMORED FACEPLATE
1-1/4" X 8"

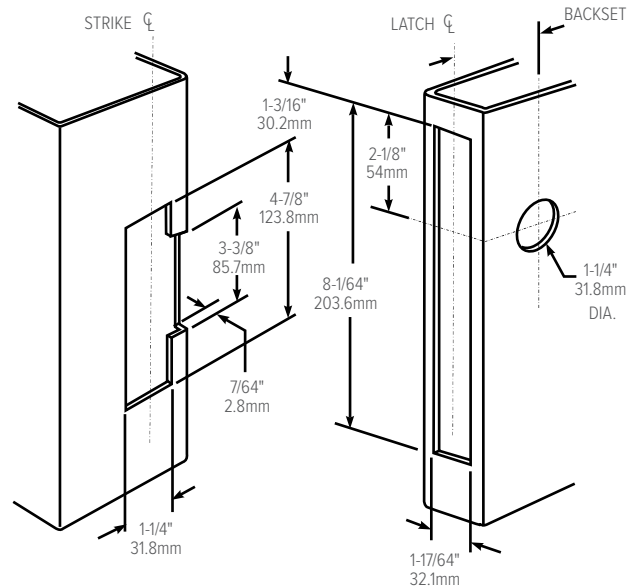
FLAT
24-0138-01-XXX

Flat faceplate can be adjusted for
right or left beveled edge doors.

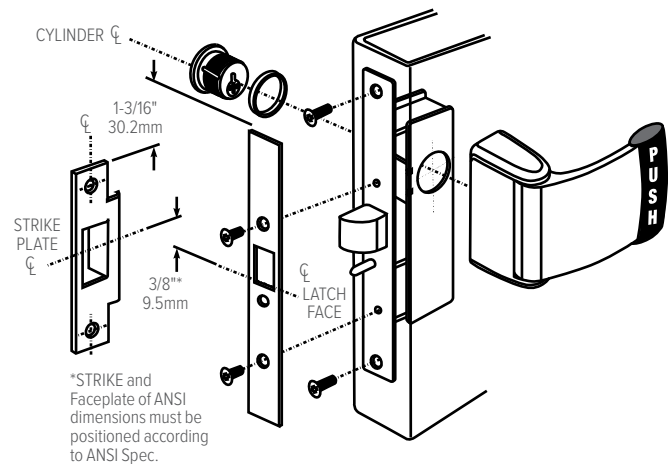
BACKSET	"A"
1-1/2" 38.1mm	2-9/64" 54.4mm
2-3/4" 69.9mm	3-25/64" 86.1mm

Stile Preparation

Identical to MS1850SN Series
(See also prep for 4591 paddle).



Latch Paddle & Cylinder Installation



*STRIKE and
Faceplate of ANSI
dimensions must be
positioned according
to ANSI Spec.

How to Order & Related Products

4920AN Heavy Duty Deadlatch (ANSI Size) Specify quantity and the following information. Order related products separately.

MODEL	FACEPLATE	BACKSET	HANDING	STRIKE	FACEPLATE FINISH
492	OAN	4	6	- 602	- 313
	OAN Flat	4 1-1/2"	5 LH or RHR	000 Less Strike	313 Dark Bronze Anodized
	3AN Without faceplate, without strike plate	5 2-3/4"	6 RH or LHR	602 4506 Strike	335 Black Anodized
					628 Clear Anodized

RELATED When purchasing this product, please consider the following related products, available separately:

ELECTRIC STRIKES	TRIM	CYLINDERS	ACCESSORIES
7100/7101, 7110/7111, 7130/7131, 7140 Electric Strikes, 7400/7401, 7410/7411, 7430/7431, 7440 Electric Strikes	3080, 3080E Series Entry Trim, 3090-150, A100 Series Keyless Entry, 4560, 4565 Deadlatch Handles, 4568, 4569 Eurostyle Deadlatch Handles, 4590, 4591 Paddles, 4600 Deadlatch Handle	Standard 1" length, 1-5/32" diameter mortise cylinder with MS® cam such as 4036 Mortise Cylinder, 4066 Thumbturn 4043 Cylinder guard	4506-02 Deadlatch Strikes