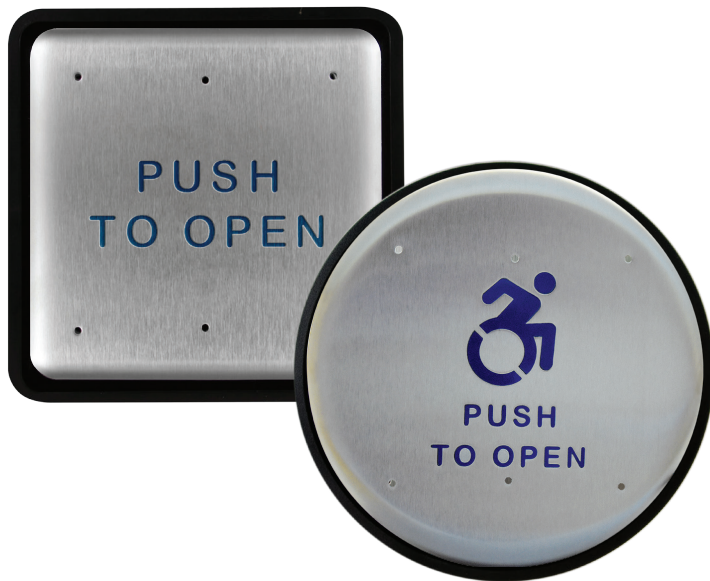


# 6 INCH ROUND & SQUARE PUSH PLATES

## STAINLESS STEEL ACTUATORS



### PRIMARY APPLICATIONS



### DESCRIPTION

BEA's 6 inch round and square push plates improve overall access, enhance accessibility for those with disabilities and seamlessly integrate with an automatic door's activation. These ADA-compliant push plates are available in a variety of popular design options, including alternative accessibility artwork.

These push plates may be hard wired to the door operator or connected to BEA's line of wireless transmitters.

### FEATURES & BENEFITS

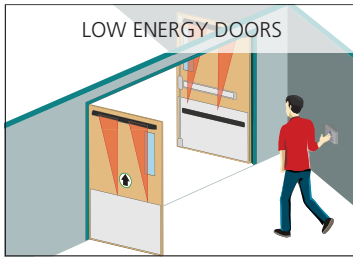
- $\frac{1}{16}$  inch thick stainless steel for maximum durability
- Concealed fasteners to minimize vandalism
- Complete kits available including plates, mounting boxes and optional wireless devices for ease of ordering
- Various text, graphic and logo options available
- Compatible with both surface and flush mount boxes



BEA, Inc.  
RIDC Park West  
100 Enterprise Drive  
Pittsburgh, PA 15275-1213

Customer Service: 800.523.2462  
Technical Support: 800.407.4545  
[www.BEAinc.com](http://www.BEAinc.com)

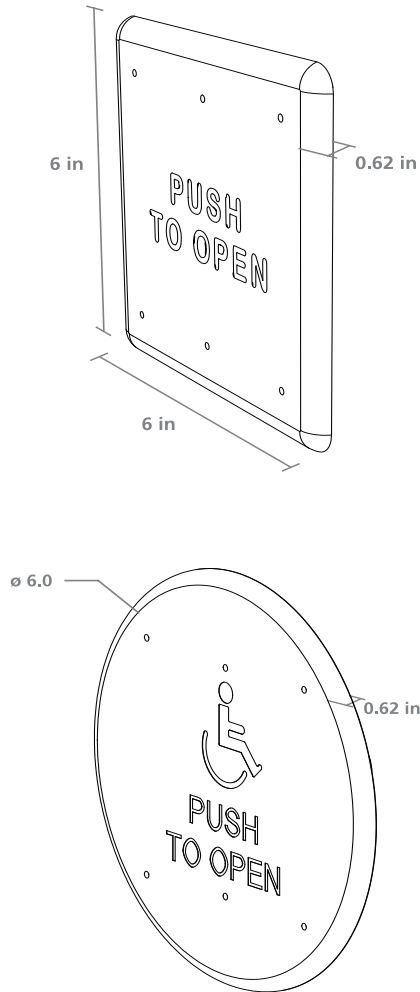
## APPLICATIONS



## TECHNICAL SPECIFICATIONS

Faceplate Material	16 gauge, 304 2B Stainless Steel
Backplate Material	1/8 inch thick, Aluminum
Mounting Screws	Stainless Steel, 6-32 x 1 in & 8-32 x 1 in Allen Head Size: 5/64
Cherry Switch	Single-pole, 15 A, COM / NO / NC, UL Recognized
Compatible Wireless Frequencies	900, 433 or 300 MHz

## DIMENSIONAL DRAWINGS



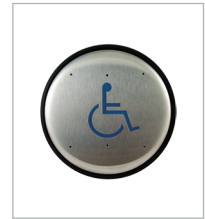
## RELATED PRODUCTS



**10PBR**  
"PUSH TO OPEN"  
TEXT ONLY



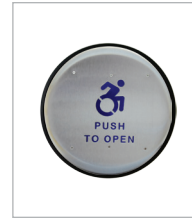
**10PBR1**  
"PUSH TO OPEN" TEXT  
& HANDICAP LOGO



**10PBRLL**  
HANDICAP LOGO  
ONLY



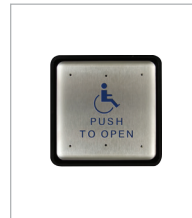
**10PBR10**  
PLAIN  
FACE



**10PBR1AL**  
"PUSH TO OPEN"  
TEXT & ALTERNATE  
HANDICAP LOGO



**10PBS6**  
"PUSH TO OPEN"  
TEXT ONLY



**10PBS61**  
"PUSH TO OPEN" TEXT  
& HANDICAP LOGO



**10PBS6LL**  
HANDICAP LOGO  
ONLY



**10PBS610**  
PLAIN  
FACE

www.BEAinc.com

© 2017 BEA, Inc. All rights reserved.

6 INCH ROUND & SQUARE PUSH PLATES STAINLESS STEEL ACTUATORS

BEA, Inc.  
RIDC Park West  
100 Enterprise Drive  
Pittsburgh, PA 15275-1213

Customer Service: 800.523.2462  
Technical Support: 800.407.4545

