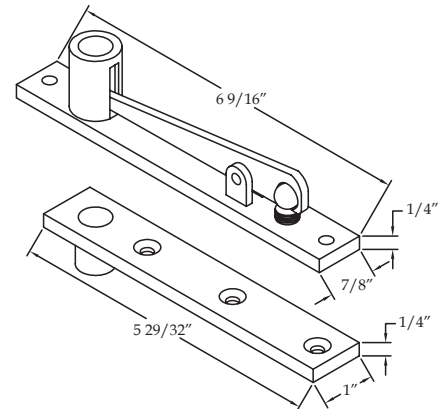


## Center Hung Top Pivots

### 0320 Top Pivot – Center Hung

#### Standard Features

- Walking beam top pivot for center hung bottom pivot or floor closer
- Medium Duty
- Jamb leaf mortises in header
- Door leaf mortises into top of the door
- Dress plate provided for jamb portion
- Non-handed
- Pivot point must be plumb with pivot point at the bottom of door



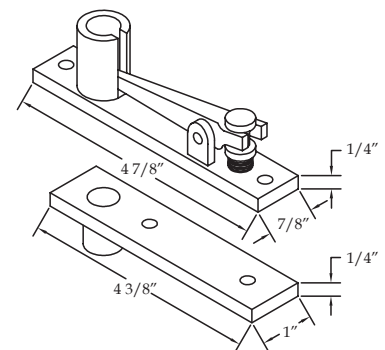
#### Options

- EXTP - Extended Pin on top pivot (up to  $\frac{3}{4}$ \" longer than standard)
- SEC - Security fasteners

### 0321 Top Pivot – Center Hung

#### Standard Features

- Walking beam top pivot for center hung bottom pivot or floor closer
- Light duty
- Jamb leaf mortises in header
- Door leaf mortises into top of the door
- Non-handed
- Pivot point must be plumb with pivot point at the bottom of door



#### Options

- EXTP - Extended Pin on top pivot (up to  $\frac{3}{4}$ \" longer than standard)
- SEC - Security fasteners

