



Regenerative power door operator
for moderate to high traffic applications

5800

SERIES ADAEZ[®]

LOW ENERGY OPERATOR

CATALOG

Norton[®]

ASSA ABLOY

ASSA ABLOY, the global leader
in door opening solutions

INTRODUCTION

As one of the world's only regenerative power door operators, Norton's ADAEZ Series is certified by GreenCircle® to reduce energy consumption by as much as 100 percent versus other comparable operators. Available in wireless and plug-in versions and able to fit in the tightest of spaces, the 5800 ADAEZ is simple to install and use.

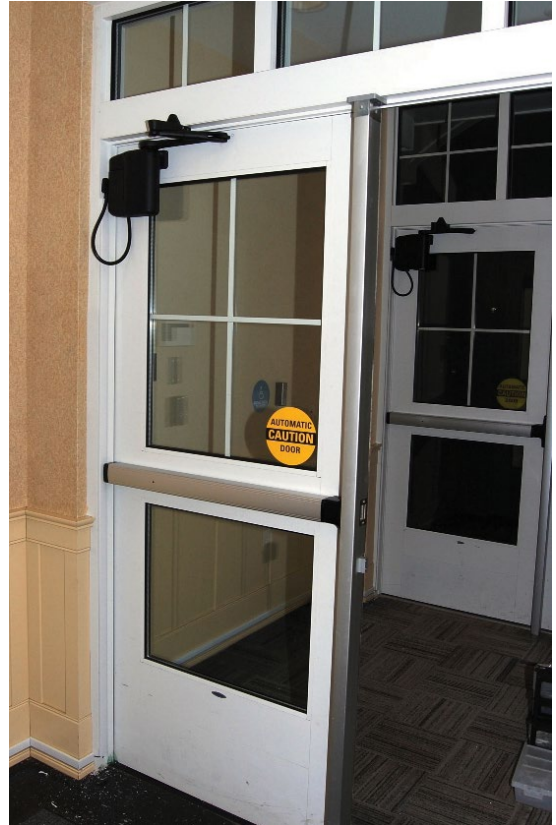


TABLE OF CONTENTS

Product Descriptions, Features, Certifications	3
How It Works, Application Images	4
Specifications	5
5831, 5811 ADAEZ PRO and 5833, 5813 ADAEZ PRO PLUS Kits.....	6
5833, 5813 ADAEZ PRO and 5833, 5813 ADAEZ PRO PLUS Kits.....	7
5845, 5845 ADAEZ PRO COMPLETE Kits	8
Wireless Interface Module	9
Wiring Diagrams.....	10
Product Dimensions.....	11
Replacement Parts, Accessories, Kits	12-14
How To Order	16

5800 SERIES ADAEZ® LOW ENERGY OPERATOR

ADAEZ PRO: Models 5831 (push), 5811 (pull)No

- » Electrical Power Required - 25% Automatic use or less
- » Moderate to high traffic, manual opening applications that occasionally require automatic operation.
- » Regenerative Drive System charges an onboard battery pack. The PRO model excels in applications where the traffic pattern allows for 80 door cycles per day, 25% of which are automatic and 75% of which are manual. The PRO requires no electrical connection, no permit, no inspection, no wiring, and no low voltage license. It installs like a manual door closer in less than 1 hour.

ADAEZ PRO PLUS: Models 5833 (push), 5813 (pull)

- » Electrical Power Required - 25% Automatic use or less
- » Moderate to high traffic, manual opening applications that occasionally require automatic operation.
- » Regenerative Drive System charges an onboard battery pack. The PRO model excels in applications where the traffic pattern allows for 80 door cycles per day, 25% of which are automatic and 75% of which are manual. The PRO requires no electrical connection, no permit, no inspection, no wiring, and no low voltage license. It installs like a manual door closer in less than 1 hour.

ADAEZ PRO Complete: Model 5845 (push and pull)

- » Bundles all the configurations of the ADAEZ PRO and ADAEZ PRO PLUS models into one easy to stock package.
- » Right or left hand doors
- » Push and pull side mounting hardware
- » Black and aluminum finish covers
- » Mounting hardware for virtually any door and frame
- » 4 VDC plug-in transformer kit for continuous automatic use applications

FEATURES

- » Regenerative drive or continuous duty operation
- » Non-handed
- » 5° door opening
- » Push and pull side mounting
- » Push-and-Go (ADA1015P Kit must be connected)
- » Power Close (ADA1015P Kit must be connected)
- » Radio Frequency stainless steel push buttons
- » Integral RF receiver
- » Shock absorbing arm
- » 693T (black) and 689 (aluminum) covers
- » 24 VDC input port
- » ADA1015P hardware kit
- » Built-in ON/OFF Switch
- » Auxiliary activation input port
- » Maximum door width - 48"
- » Maximum door weight - 250 lbs
- » Patented Auto-Tune feature ensures safety and compliance with A156.19 code

CERTIFICATIONS

- » ANSI/BHMA A156.19 certified
- » ETL tested to UL/cUL standard for automatic doors on fire & smoke barrier doors
- » Complies with requirements for Americans with Disabilities Act (ADA)
- » UL10c 90-minute positive pressure fire rating
- » Manufactured in an ISO 9001 and ISO 14001 certified facility
- » Verified by GreenCircle to offer these energy savings as compared to similar products:
 - » 5800 Series ADAEZ® (plug-in) – 91% efficiency
 - » 5800 Series ADAEZ® (wireless) – 100% efficiency



HOW IT WORKS

How does the 5800 Series ADAEZ PRO work without electrical power?

The 5800 Series ADAEZ PRO is an extreme duty, low energy door opener designed for moderate to high traffic manual opening applications that occasionally requires powered operation. A regenerative drive system charges an onboard battery pack eliminating the need for electrical power.

The 5800 Series ADAEZ PRO should be applied to doors using our 80/25 guideline. Apply 5800 Series ADAEZ PRO to a door that gets approximately 80 manual cycles or more per day and is used 25% or less automatically.

When applied using the 80/25 guideline the this operator will self generate all the power it needs to keep its field

replaceable, onboard, battery pack charged for up to 12 years and in some cases longer.

A fully charged battery has the capability to open a door up to 2000 times in a row, generously allowing for periodic fluctuations from 80/25 guidelines with little impact on the product's overall usability. Example: 30% automatic use for one day is not a problem, as long as that level of automatic use is not sustained.

The 5800 ADAEZ PRO can be used outside of the 80/25 parameters. Simply plug the unit into a common 110 VAC electrical outlet using our ADA1015P Hardwire Kit option. The Hardwire Kit is a low voltage plug in transformer and can be added to existing installed field units.

APPLICATIONS



PUSH SIDE MOUNTING WITHOUT ELECTRICAL POWER



PUSH SIDE MOUNTING WITH ADA1015P HARDWIRE KIT



PULL SIDE MOUNTING WITHOUT ELECTRICAL POWER



PULL SIDE MOUNTING WITH ADA1015P HARDWIRE KIT

SPECIFICATIONS

AUTOMATIC DOOR OPENER

- » Provide low energy automatic door operator complying with requirements of ANSI A156.19.
- » Provide an operator with adjustable opening and closing forces that meet the provisions of ANSI 117.1 and the Americans with Disabilities Act.
- » Provide an operator with a regenerative drive system which charges the on-board battery pack when unit is operated manually and which requires no external electrical power.
- » Provide an operator that can connect to ANY 24VDC power supply to keep an on-board battery pack fully charged eliminating the need for manual traffic charging. When used with 24VDC inoput the operator shall supply up to 2000 automatic operations upon loss of building power.
- » Provide an operator which has been verified by GreenCircle to offer these energy savings as compared to similar products:
 - » 5800 Series ADAEZ® (plug-in) – 91% efficiency
 - » 5800 Series ADAEZ® (wireless) – 100% efficiency
- » Provide an operator which, upon installation, will determine door size and weight and automatically tune controller to operate within ANSI A156.19 and 117.1 standards. Operator shall also have the following adjustable functions:
 - › Opening/closing speed
 - › Hold-open time
 - › Close check
 - › Opening/closing force
- » Provide operator with on-board diagnostics which will continually maintain control of door speed in wind or abusive environment condition.
- » Provide operator that will continue closing door within ANSI A156.19 and 117.1 requirements without any external power supplied. Upon meeting an obstruction during the opening cycle the door shall remain under power for one second and then close under spring force; if the door meets and obstruction will closing, the door will maintain a closing force of 8 lbs or less.
- » Provide unit capable of operating doors up to 48" wide, weighing up to 250 lbs.
- » Provide unit that will operate in climates with temperatures above -40° F and has a two year warranty.
- » Provide operator with two stainless steel, 1-3/4" x 4-3/4" wireless, jamb mounted, push button transmitters with required signage. Locate push buttons as directed by architect and within ANSI A156.19 and 117.1 guidelines.
- » Provide operator which utilizes a triangular hardened steel output shaft to connect arm with a two piece tapered coupling for superior slip resistance.
- » Provide operator and push button transmitter with circuit boards that have been specially coated to resist moisture and humidity making the electronics weather resistant.
- » Provide operator with integral heavy duty cast aluminum shock absorbing arm, which when fully extended is in full tension eliminating the need for an auxiliary door stop.
- » Provide operator with two architecturally finished covers and black powder coated frame, arms and mounting brackets.
 - › Black (BHMA 693T)
 - › Aluminum (BHMA 689)
- » Provide an operator incorporating "Push and Go" feature to allow door movement to activate door open cycle or recycle door (PRO PLUS only).
- » Provide an operator incorporating "Power Close" feature to utilize the motor to close a door help open by wind, stack pressure or latchbolt (PRO PLUS only).

KITS

ADAEZ PRO:

Models 5831xNPB (push), 5811xNPB (pull)



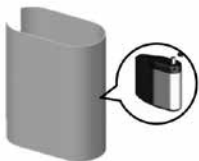
Operator

Non-Handed Shown
Push Side Mounting
Parallel Arm



Narrow Style Push Buttons With Wireless (RF) Transmitters

OPTION:



Aluminum Dress Cover

Replaces Standard Black Cover Operator Frame/
Arm Always Black Finish

ADAEZ PRO PLUS:

Models 5833xSQPB (push), 5813xSQPB (pull)



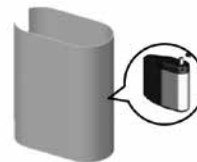
Operator

Non-Handed Shown
Push Side Mounting
Parallel Arm



Square Style Push Buttons With Wireless (RF) Transmitters

OPTION:



Aluminum Dress Cover

Replaces Standard Black Cover Operator Frame/
Arm Always Black Finish

5800 SERIES ADAEZ® LOW ENERGY OPERATOR

KITS

ADAEZ PRO PLUS:

Models 5833xNPB (push), 5813xNPB (pull)



Operator

Non-Handed Shown
Push Side Mounting
Parallel Arm



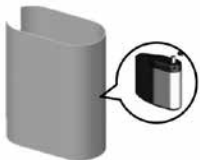
Narrow Style Push Buttons With Wireless (RF) Transmitters



1015P Hardwire Kit: 24 VDC

Transformer
Non-Handed Shown
Push Side Mounting
Parallel Arm

OPTION:



Aluminum Dress Cover

Replaces Standard Black Cover Operator Frame/ Arm Always Black Finish

ADAEZ PRO PLUS:

Models 5833xSQPB (push), 5813xSQPB (pull)



Operator

Non-Handed Shown
Push Side Mounting
Parallel Arm



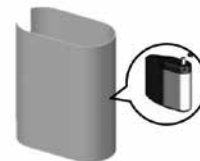
Square Style Push Buttons With Wireless (RF) Transmitters



1015P Hardwire Kit: 24 VDC

Transformer
Non-Handed Shown
Push Side Mounting
Parallel Arm

OPTION:



Aluminum Dress Cover

Replaces Standard Black Cover Operator Frame/ Arm Always Black Finish

KITS

ADAEZ PRO Complete: Model 5845xNPB (push and pull)



Operator

Non-Handed Shown
Push Side Mounting
Parallel Arm



Narrow Style Push Buttons With Wireless (RF) Transmitters

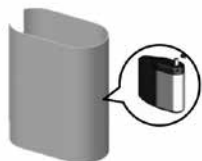


1015P Hardwire Kit: 24 VDC

Transformer
Non-Handed Shown
Push Side Mounting
Parallel Arm



PULL Mounting Hardware Pull Side Mounting - Regular Arm



Aluminum Dress Cover

Replaces Standard Black Cover Operator Frame/ Arm Always Black Finish

ADAEZ PRO Complete: Model 5845xSQPB (push and pull)



Operator

Non-Handed Shown
Push Side Mounting
Parallel Arm



Square Style Push Buttons With Wireless (RF) Transmitters

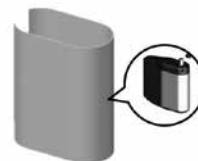


1015P Hardwire Kit: 24 VDC

Transformer
Non-Handed Shown
Push Side Mounting
Parallel Arm



PULL Mounting Hardware Pull Side Mounting - Regular Arm



Aluminum Dress Cover

Replaces Standard Black Cover Operator Frame/ Arm Always Black Finish

5800 SERIES ADAEZ® LOW ENERGY OPERATOR

SPECIFICATIONS

ADAEZ WIRELESS INTERFACE MODULE (ADA1028W)

System Description:

The Wireless Interface Module allows the ADAEZ door operator to interface to ADAEZ wired or wireless pushbuttons, wireless remote, an electric lock, fire panel, access control, and an outside pushbutton disable contact. The ADAEZ WIM can be used with any ADAEZ model PRO, PLUS, COMPLETE.

Mounting:

The WIM (4.25" W x 5.75" H) is designed to fit inside a power supply cabinet, using a supplied plastic mounting plate with double sided tape and fasteners.

Inputs:

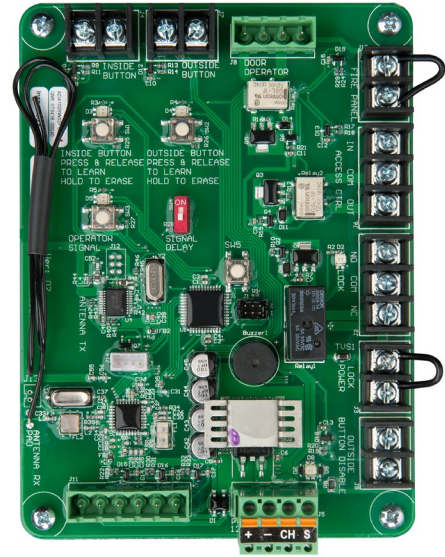
- » Power input: 24VDC
- » Hardwire push buttons input: separate INSIDE and an OUTSIDE activation input
- » Wireless push button input: separate INSIDE and an OUTSIDE RF activation input
- » Handheld transmitter input: (p/n ADA1031 HAND-HELD-TX) interface
- » Operator connection cable: Plug in ADA EZ swing door cable connector interface
- » Lock power: Dry contact SPDT to power an electric lock
- » Outside push button disable: privacy feature

Outputs:

- » Wireless Output: RF signal to activate ADAEZ door opener
- » Output Contacts: SPDT dry contact output for AUX signal
- » Lock Contacts: SPDT dry contact output for LOCK
- » Access Control Contacts: indicates valid Unlock signal
- » Signal Delay Timer: 1.5 second lock release delay
- » Emergency Interface Relay (EIR): disables signal inputs

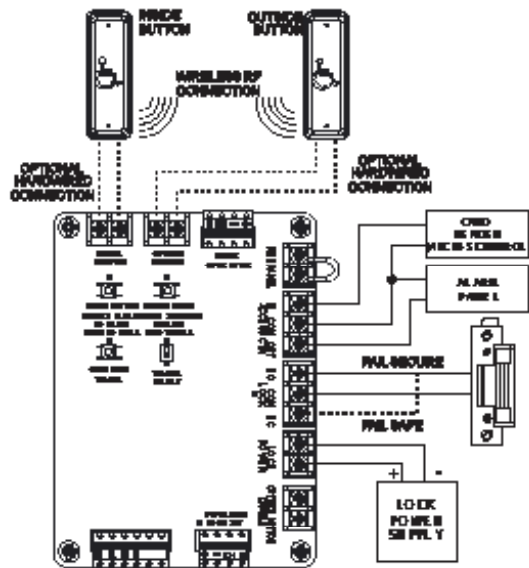
Codes/Listings

- » UL
- » FCC 47CFR 15C and RSS 210

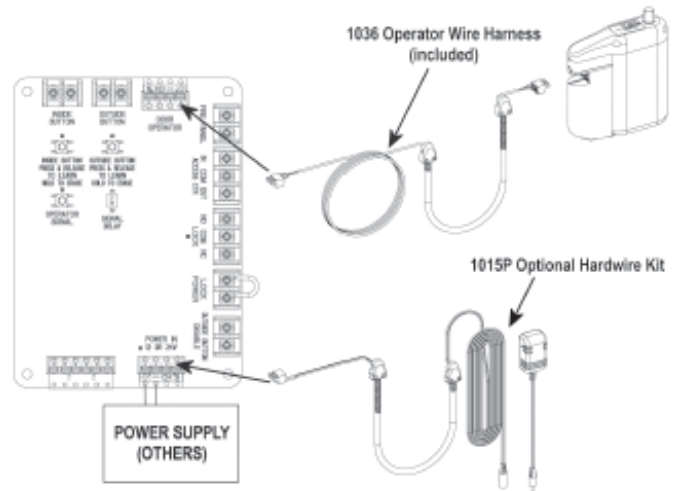


TECHNICAL INFORMATION: WIRING DIAGRAMS

Electric Strike with RF or Wired Push Buttons and Card Reader (or other Access Control)



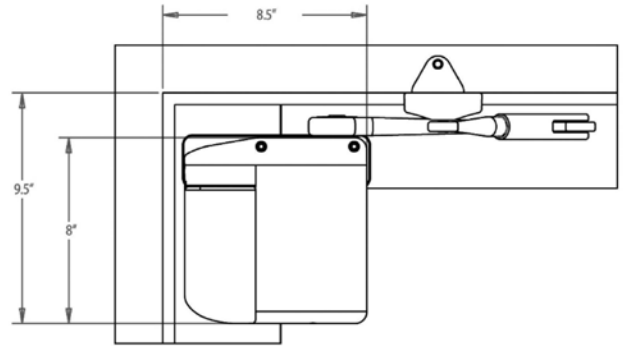
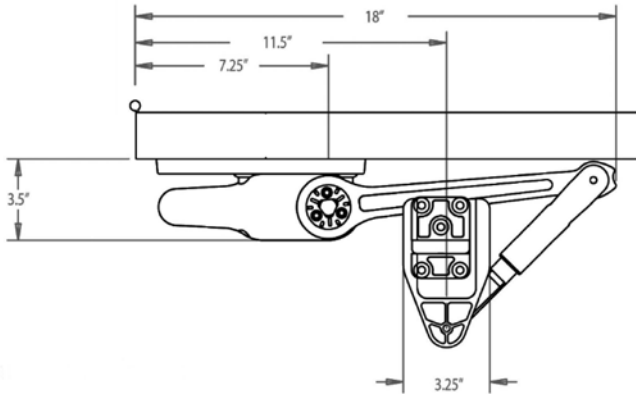
Wiring the WIM and Operator



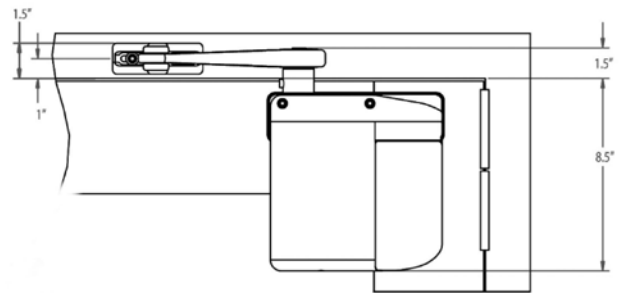
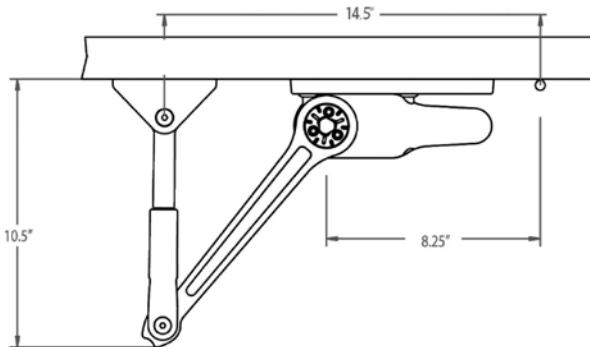
5800 SERIES ADAEZ®
LOW ENERGY OPERATOR

PRODUCT DIMENSIONS

Push Side



Pull Side



All dimensions are approximate

REPLACEMENT PARTS / ACCESSORIES / KITS



ADA1001
Door Arm Assembly



ADA1009
Mounting Hardware

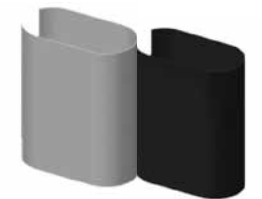


ADA1010NY
ADAEZ Operator Body -
NYC TRD without Battery

ADA1010E
ADA EZ Operator Body -
Europe without Battery

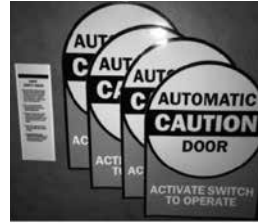


ADA1007P
(direct repl. of former
1007) Battery Assembly
new part has On/Off
switch, LED Indicator,
Power Port



ADA1004
Operator Cover - Aluminum

ADA1002
Operator Cover - Black



ADA1014
Decal Pack



ADA1006
Operator Mounting
Bracket With Covers



ADA1010P
(direct replacement of
former 1010L/R) ADAEZ
Operator Body for ADAEZ
and ADAEZ PRO. Battery
not included.

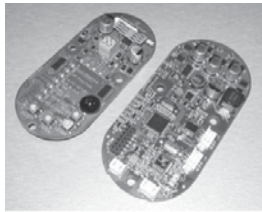


ADA1023
External battery
charger kit



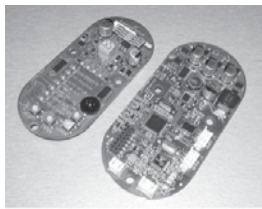
ADA1015P
(direct repl. of former
1015) Transformer,
Armored Dr Cord, End
Links 50' of Low Voltage
Cable, Power Port Cnt.

REPLACEMENT PARTS / ACCESSORIES / KITS



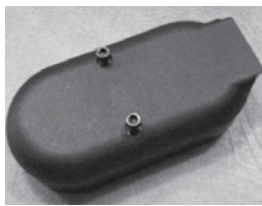
ADA1005
Electronic Control Kit for ADAEZ (older) Setup and PC Board

ADA1005E
Electronic Control Kit for ADAEZ Europe Setup and PC Board



ADA1005P
Electronic Control Kit for ADAEZ PRO Setup and PC Board

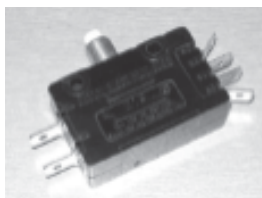
ADA1005NY
Electronic Control Kit for ADAEZ NYCTRD Setup and PC Board



ADA1026
Bottom Cover with Two Screws



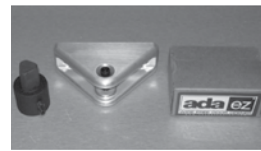
ADA1025
Multi-Purpose Timer



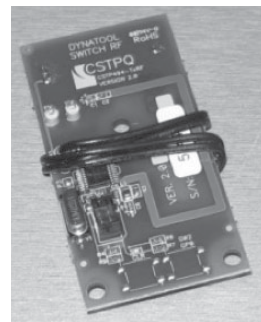
ADA1022
Kit to Convert SPDT Switch to DPDT Switch



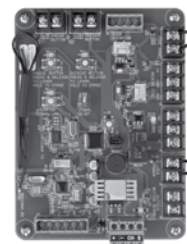
A1031
A1031 (order 1031E for Europe) Hand Held Remote Control



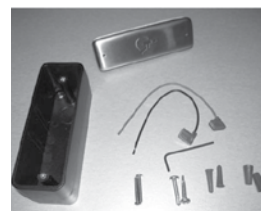
ADA1021
Kit to Convert to a PULL Side Mount



ADA1008
Wireless Push Button Transmitter (Circuit Board Only)



ADA1028W
Wireless Interface Module



ADA1012-1
1 3/4" (4.5 cm) Push Button Assembly without RF Transmitter

REPLACEMENT PARTS / ACCESSORIES / KITS



ADA1019-1

4 1/2" (11.4 cm) Sq Push Button Assembly without RF Transmitter



ADA1012-2

1 3/4" Push Button Assembly with RF Transmitter



ADA1019-3

4 1/2" Sq Push Button Assembly with DPDT Switch without RF Transmitter



DA1019-2

4 1/2" Sq Push Button Assembly with RF Transmitter



ADA1024

Kit to Convert to a PUSH Side Mount

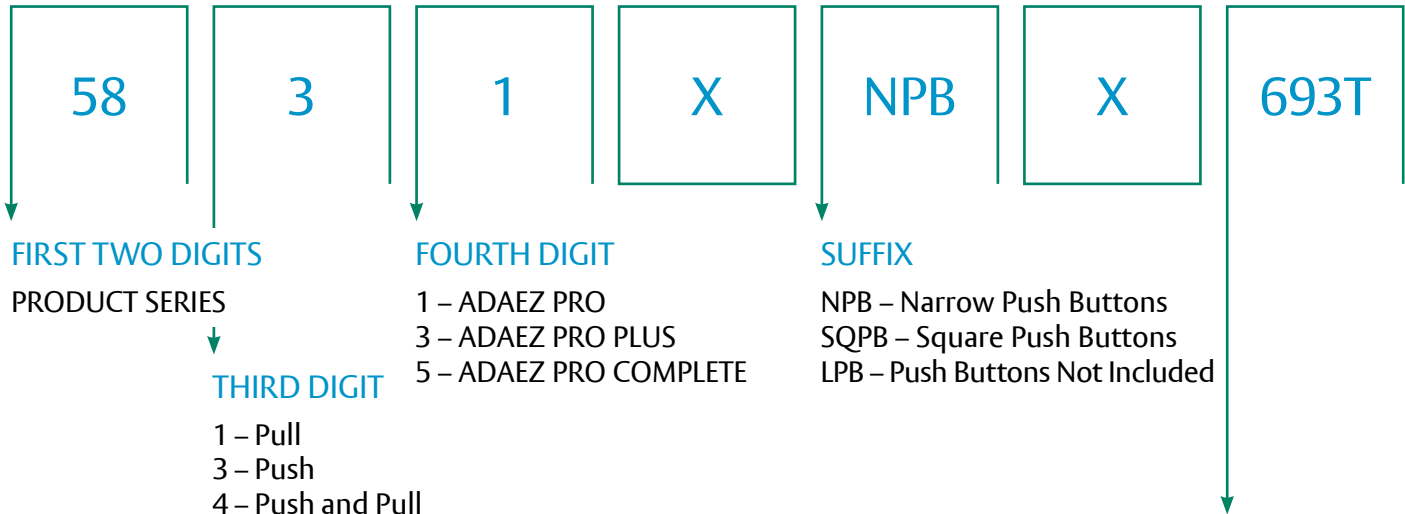


ADA1019-4

4 1/2" Sq Push Button Assembly with DPDT Switch with RF Transmitter

5800 SERIES ADAEZ®
LOW ENERGY OPERATOR

HOW TO ORDER



FIRST TWO DIGITS

PRODUCT SERIES



THIRD DIGIT

- 1 – Pull
- 3 – Push
- 4 – Push and Pull

FOURTH DIGIT

- 1 – ADAEZ PRO
- 3 – ADAEZ PRO PLUS
- 5 – ADAEZ PRO COMPLETE

SUFFIX

- NPB – Narrow Push Buttons
- SQPB – Square Push Buttons
- LPB – Push Buttons Not Included

Old Designation	NEW Designation
ADAEZ PRO x Push x Black	5831xNPB x 693T
ADAEZ PRO x Pull x Black	5811xNPB x 693T
ADAEZ PRO x Push x Alum	5831xNPB x 689
ADAEZ PRO x Pull x Alum	5811xNPB x 689
ADAEZ PRO x SQPB x Push x Black	5831xSQPB x 693T
ADAEZ PRO x SQPB x Pull x Black	5811xSQPB x 693T
ADAEZ PRO x SQPB x Push x Alum	5831xSQPB x 689
ADAEZ PRO x SQPB x Pull x Alum	5811xSQPB x 689
ADAEZ PRO PLUS x Push x Black	5833xNPB x 693T
ADAEZ PRO PLUS x Pull x Black	5813xNPB x 693T
ADAEZ PRO PLUS x Push x Alum	5833xNPB x 689
ADAEZ PRO PLUS x Pull x Alum	5813xNPB x 689
ADAEZ PRO PLUS x SQPB x Push x Black	5833xSQPB x 693T
ADAEZ PRO PLUS x SQPB x Pull x Black	5813xSQPB x 693T
ADAEZ PRO PLUS x SQPB x Push x Alum	5833xSQPB x 689
ADAEZ PRO PLUS x SQPB x Pull x Alum	5813xSQPB x 689
ADAEZ PRO Complete	5845xNPB x 693T x 689
ADAEZ PRO Complete x SQPB	5845xSQPB x 693T x 689
ADAEZ PRO Custom x Push x Black	5831xLPB x 693T
ADAEZ PRO Custom x Pull x Black	5811xLPB x 693T
ADAEZ PRO Custom x Push x Alum	5831xLPB x 689
ADAEZ PRO Custom x Pull x Alum	5811xLPB x 689

Description	Specify Designation
Black Textured	693T
Aluminum	689

Note: 5845 is shipped 693T x 689 finish

Norton®

ASSA ABLOY

ASSA ABLOY is the global leader in door opening solutions, dedicated to satisfying end-user needs for security, safety and convenience

Since 1880, Norton door controls have been an integral part of schools, hospitals and businesses around the globe. When you need products and people that perform at the highest level, rely on Norton – From Open to Close.

Norton Door Controls | www.nortondoорcontrols.com

3000 Highway 74 East | Monroe, NC 28112 | Tel: 1-877-974-2255 | Fax: 1-800-338-0965

ASSA ABLOY Door Security Solutions Canada | www.assaabloy.ca

160 Four Valley Drive | Vaughan, Ontario, L4K 4T9 Canada | Tel: 800-461-3007 | Fax: 1-905-738-2478

Norton is a brand associated with Yale Security Inc., an ASSA ABLOY Group company. Copyright © 2012–2017, Yale Security Inc. All rights reserved. Reproduction in whole or in part without the express written permission of Yale Security Inc. is prohibited.