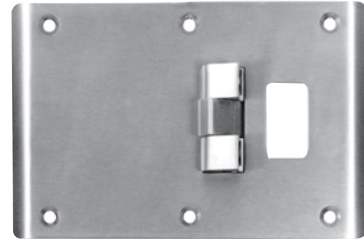


Combination Strike and Stop

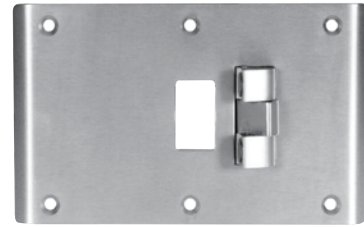
Recommended for installations on hospital or nursing home bathroom doors along with our EP-5J. This unit allows center hung or 1/8" inset doors to be opened in both directions without damaging the frame.

- Manufactured for use with cylindrical or bored locks
- Available in offset or center hung latch bolt location for frame sizes 5 3/4", 5 7/8" and 6 3/4"
- Custom units available for frame sizes 3 1/2" to 10" consult factory for availability
- For use on 1 3/4" thick doors
- Cannot be used with deadbolts. May not work with mortise locks. Consult the factory for mortise lock application of CORBIN RUSSWIN, SARGENT and YALE compatibility
- All Combination Strike and Stops are packed with 1/2 x 8-32 machine screws
- Available in brass material polished and plated

CSS-9
Offset Hung



CSS-9
Center Hung

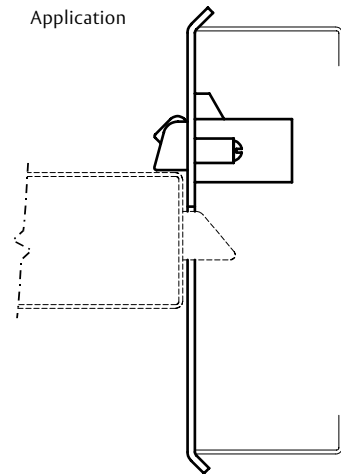


No.	ANSI Cross Reference	Base Material
CSS-9	A1882	Brass

Specifications

Inches	mm	Gauge	No. of Holes	Fasteners Machine
5 3/4"	146.1	.095	6	1/2 x 8-32
5 7/8"	149.2	.095	6	1/2 x 8-32
6 3/4"	171.5	.095	6	1/2 x 8-32

Application



ASSA ABLOY

The global leader in door opening solutions