

nexTouch™ Cylindrical



CYLINDRICAL



How To Order



Cylindrical

Quantity	Lever Design	Series/Function	Technology	Finish	Advanced Functions	Door Thickness	Cylinder	Latch	Strike
#	AU - Augusta	NTB612 - Bored lock, key override, pushbutton keypad	NR - Keypad only, no radio	605 - Bright brass, clear coated	*DPS	1-3/4" 1-3/8"	1803-53L - 6-pin cylinder standard, see pages 10-11 for additional options ¹	694 latchbolt with 2-1/4" x 1-1/8" front, 2-3/4" backset and 1/2" bolt throw standard, see page 12 for additional options	497 ANSI strike standard, see page 13 for additional options
	MO - Monroe	NTB622 - Bored lock, key override, capacitive touchscreen keypad	ZW2 - Z-Wave wireless communication	613E - Dark oxidized bronze - equivalent					
	PB - Pacific Beach	NTB632 - Bored lock, no key override, pushbutton keypad		626 - Satin chrome plated					
		NTB642 - Bored lock, no key override, capacitive touchscreen		BSP - Black suede powder coat					







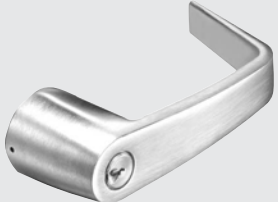
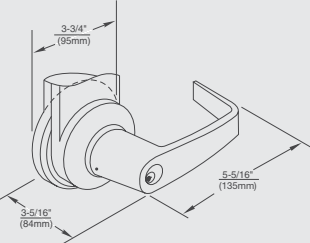

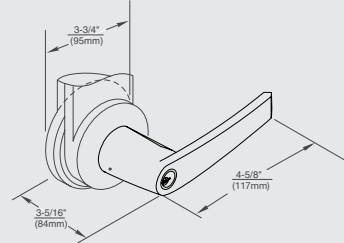

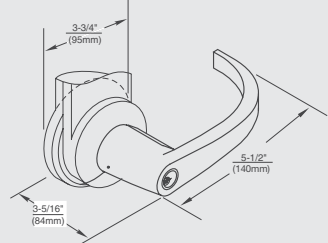
¹When ordering SFIC and LFIC cylinders, please use appropriate prefix before lever selection. See page 11 for more information.


*Use DPS option code for Advanced Functions. An Auxiliary Door Position Sensor (DPS) must be installed with the lock to enable both Escape Return and Privacy functions. If DPS is not included in the parts string, the Door Position Sensor will not be supplied with the lock. Note that selecting the DPS option code will incur an upcharge. See current price list.

Build Your Order String

Quantity	Lever Design	Series/Function	Technology	Finish	Advanced Functions	Door Thickness	Cylinder	Latch	Strike
Example:	AU	NTB612	NR	626		1-3/4"	1803-53L	694	497
Example	PB	NTB622	ZW2	626	DPS	1-3/4"	1803-53L	694	697

Cylindrical

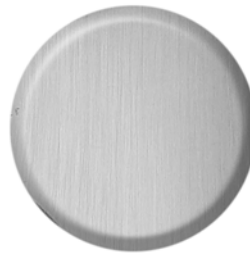
AUGUSTA AU Lever: Cast Zinc  	MONROE MO Lever: Cast Zinc  	PACIFIC BEACH PB Lever: Cast Zinc  
 	 	 

 All levers available with small and large format interchangeable core. See page 11 for details.

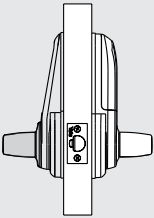
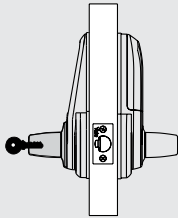
Finishes



ANSI/BHMA Code Finish Description			
605 Bright Brass, Clear Coated	613E Dark Oxidized Satin Bronze - equivalent	626 Satin Chrome Plated	BSP Black Suede Powder Coat



Cylindrical

NTB632 Pushbutton NTB642 Touchscreen	NTB612 Pushbutton NTB622 Touchscreen
<p>Without Cylinder Override</p> <ul style="list-style-type: none">• For doors that do not require mechanical key override.• Latchbolt retracted by lever outside with valid PIN code, or by operating lever inside.• Inside lever always active.• Deadlocking latchbolt.  <p>Outside Inside</p>	<p>With Cylinder Override</p> <ul style="list-style-type: none">• For doors that require mechanical key override.• Latchbolt retracted by lever outside with valid PIN code; by use of mechanical key, or by operating lever inside.• Inside lever always active.• Deadlocking latchbolt.  <p>Outside Inside</p>

Cylinders



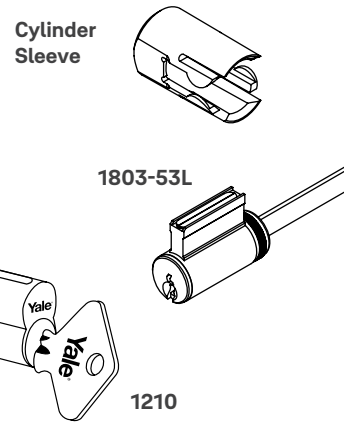
Cylindrical

Cylinder Options

The following selection guide indicates the correct cylinder for each locking segment.

Lockset Series nexTouch™	Types of Cylinder Mechanisms						
	Fixed Core	Conventional		Protected Keyway		Security	
Cylinder Types		6-pin	7-pin	6-pin	7-pin	6-pin	7-pin
Key-In-Lever	1803-53L	N/A	K403-53L	N/A	5803-53L	N/A	
Interchangeable Core							
LFIC	1210	N/A	K800	N/A	5210	N/A	
SFIC	A600	A600	K600	K600	N/A	N/A	

Note: The 1803-53L Cylinder requires an adapter sleeve to fit in the nexTouch lockset. (P/N 14-YM00-9078-999)



Refer to Yale® KeyMark® and/or Cylinders and Keys Catalog sections for all details and how-to-order examples.

Other Manufacturers' Keyway Cylinders

Illustration	Description	Model Number	Number of Pins
	Best® Keyway Cylinder. Available keyed random, master keyed or uncombined. Specify keyway A, B, C, D, E, F, G, H, J, K, L or M.	A600	6 or 7
	Schlage® "C" Keyway. Available 0-bitted or keyed random.	2803-53L*	6
	Corbin Russwin "L4", Corbin "60", Russwin "D1", Sargent® "LA" or Schlage® "E" Keyway. Specify keyway. Available keyed random.	3803-53L*	6
	Arrow "AR" Keyway. Specify keyway. Available keyed random.	100CV1	6

*The 2803-53L and 3803-53L cylinders require a cylinder sleeve (P/N 14-YM00-9078-999) to fit the nexTouch™ lockset.

Cylindrical (Continued)

Levers Accepting SFIC And Other Manufacturers' Large Format Interchangeable Cores

	Description	Lever Prefix	Number of Pins
	SFIC (Accepts all Small Format Interchangeable Cores)	B (i.e. B-AU, B-MO, B-PB)	6 or 7
	Corbin Russwin (LFIC)*	R (i.e. R-AU)	6
	Medeco®, ASSA® (LFIC)**	M (i.e. M-AU)**	6
	Sargent (LFIC)	SG (i.e. SG-AU, SG-PB)	6
	Schlage® (LFIC)	SI (i.e. SI-AU, SI-PB)	6

*Corbin Russwin LFIC only available with AU lever, 6-pin only.

**Medeco®, ASSA® option available only with AU lever. (Note: For Medeco 32 series cores.)

LFIC = Large Format Interchangeable Core

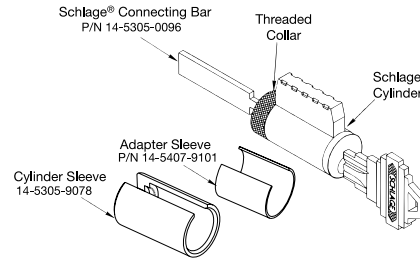
SFIC = Small Format Interchangeable Core

108 Schlage® Cylinder Adapter Kit

Kit used to modify Schlage® cylinder to fit nexTouch™.

P/N 14-5305-0090-048 - 108S

Kit includes tailpiece and sleeve. To order the 108S adapter kit, use an "S" prefix (i.e., S-AU x NTB612).



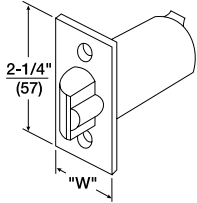
Latchbolts



Cylindrical

Deadlocking Latchbolts

Model No. E694 supplied standard with all nexTouch™ locksets. Model No. E694 latchbolt has a 2-1/4" x 1-1/8" front with a 2-3/4" backset and a 1/2" bolt throw. Optional latchbolts to special order.



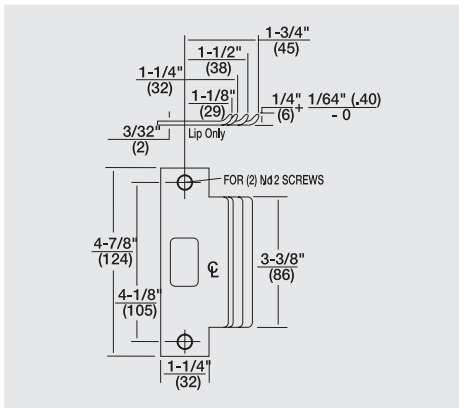
Model No.	Front	Backset	"W" Front Width	Throw	Latch Diameter
E694 (standard)	Beveled	2-3/4" (70mm)	1-1/8" (29mm)	1/2" (13mm)	1" (25mm)
F694	Flat	2-3/4" (70mm)	1-1/8" (29mm)	1/2" (13mm)	1" (25mm)
480B	Beveled	2-3/4" (70mm)	1-1/8" (29mm)	3/4" (19mm)	1" (25mm)
F480B	Flat	2-3/4" (70mm)	1-1/8" (29mm)	3/4" (19mm)	1" (25mm)
380N*	Flat	2-3/8" (60mm)	1" (25mm)	1/2" (13mm)	3/4" (19mm)

When ordering latchbolts separately, specify Model No. x Finish (e.g., 694 x 626).

*Using 380N latch results in Grade 2 ANSI/BHMA performance of the lock.

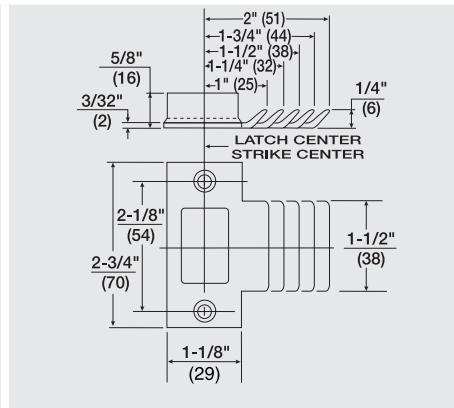
Cylindrical

Yale® nexTouch™ locksets are available with a variety of strike options. All strikes are located on the same vertical and horizontal center lines as the latchbolt. Some strikes are available in a variety of lip lengths to accommodate varying thickness of doors and frames. To determine the proper length of the lip, measure from the center line of the strike to the edge of the jamb and add 1/4" (6mm). All strikes are reversible.



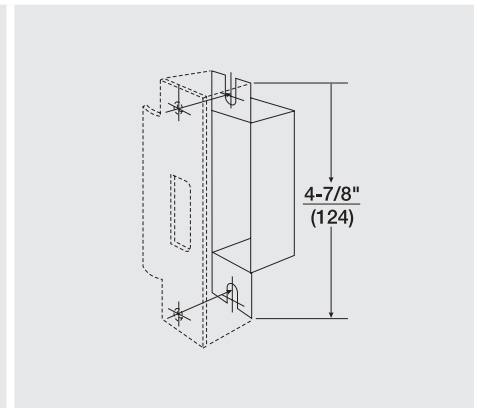
Model No. 497 ANSI Strike (Standard)

For door and frames with ANSI/BHMA A156.115 preparations. 1-1/4" supplied standard. 1-1/2", and 1-3/4" lip lengths available by special order.



Model No. 371 T-Strike (Optional)

1-1/4" curved lip supplied standard. 1", 1-1/2", 1-3/4", and 2" curved lip lengths available by special order. Wrought strike box supplied.



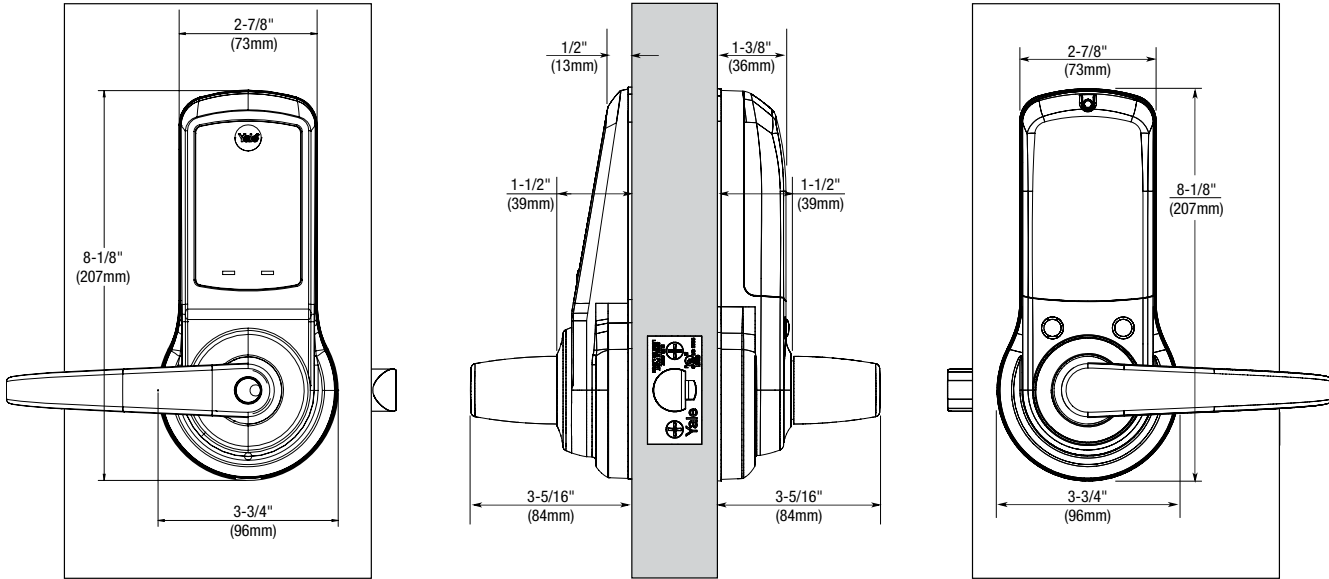
Model No. 202 Strike Box for ANSI Strike (Optional)

Specify 497 x 202

Dimensions



Cylindrical



Dimensions given in inches (mm).

Technology Options



Cylindrical

NR	Keypad only, no radio
ZW2	Z-Wave wireless communication

Yale Accentra™ Data-on-Card module available only through Authorized Channel Partners. If you require another module not listed in this catalog, please contact your local ASSA ABLOY Door Security Solutions sales representative.



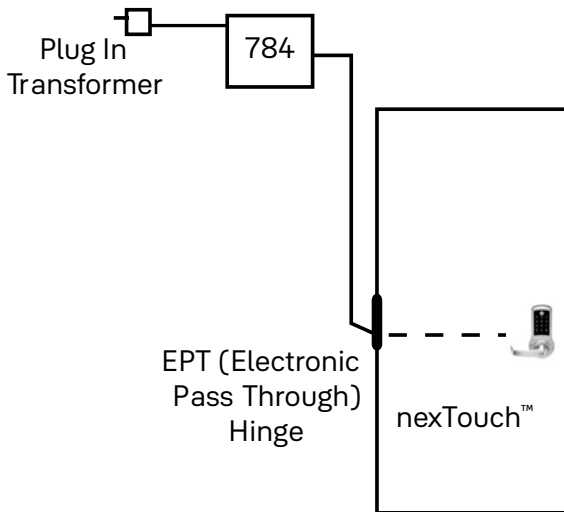
Z-Wave Module

Options and Accessories



Cylindrical

Model/Part Number	Description
784	Optional remote 9VDC power supply with plug-in wall transformer (used for hardwiring up to two nexTouch locks).
WH-28	Remote power wire harness (used for hardwiring).
14-4761-0106-025	1-3/8" thin door kit. Includes inside and outside escutcheon spacers as well as a 2-3/8" latchbolt.
14-B600-0111-999	3-wire door position sensor



Certifications and Listings



Cylindrical

ADA



The nexTouch Series lever design meets accessibility guidelines of the Americans with Disabilities Act and the requirements of the Uniform Federal Accessibility Standards and ICC/ANSI A117.1 Accessible and Usable Buildings and Facilities, all requiring ease of accessibility.

ANSI/BHMA

nexTouch cylindrical certified ANSI/BHMA A156.2, Series 4000 Grade 1.



Fire Listings



Functions are UL/cUL Fire Listed for use on fire doors having a rating up to and including 3 hours.

Note: Any retrofit or other field modification to a fire rated opening can potentially impact the fire rating of the opening, and Yale Locks & Hardware makes no representations or warranties concerning what such impact may be in any specific situation. When retrofitting any portion of an existing fire rated opening, or specifying and installing a new fire-rated opening, please consult with a code specialist or local code official (Authority Having Jurisdiction) to ensure compliance with all applicable codes and ratings.

FCC

Complies with limits for a Class B digital device, pursuant to part 15 of the FCC Rules.

ISO 14001

Designed and manufactured under a certified ISO 14001 quality system.


Sustainability

EPD and GreenCircle certification.

Warranty

nexTouch has a three year limited warranty on the mechanical and electrical components, and a one year limited warranty on the finish.

Windstorm

Certified (refer to local codes).  Hurricane