



1100 Series Industrial Door Closers





Contents

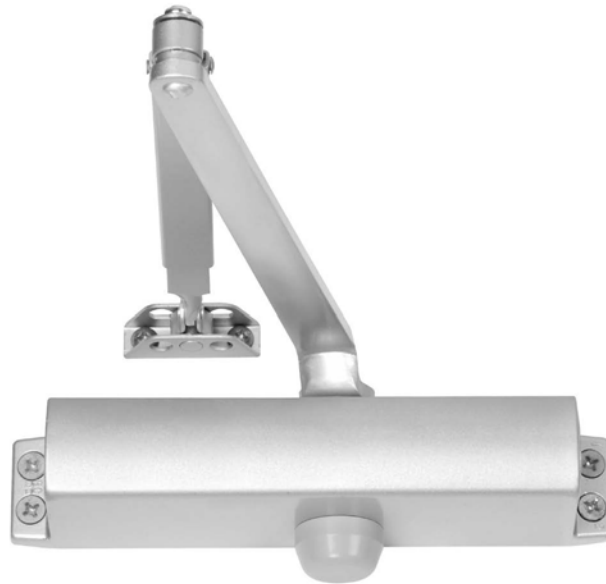
Introduction	2
Features & Benefits	3
Certifications	4
Door Closing Latching Cycle	4
How To Order and Finishes	5
Applications	6
Dimensions	7
Parts List	7

1100 Series Door Closer

The Yale® 1100 series industrial door closers are ideal for a wide variety of commercial applications where ease of use and installation are required at an economic price.

The 1100 series features rugged construction, adjustments for closing and latch speed, and rack and pinion operation.

Bringing you a dependable door closer at an attractive price point. Yale Works for YouSM.



Features




- 1101BF (non-hold open) and 1111BF (hold open) door closers are adjustable spring sizes 1 through 4
- 1104BC (non-hold open) door closers are spring size 4
- Non-handed
- Full rack and pinion
- Aluminum body
- Tri-packed: regular, parallel or top jamb mounting
- Adjustable backcheck valve
- Adjustable closing speed valve
- Adjustable latching speed valve
- Auxiliary door stop required
- Sleeve nuts included with all models (1-3/4")
- 5-year limited warranty
- 1101BF closers available with or without cover

Benefits

- **Accessible:** Tri-packed closer allows installation of multiple applications
- **Economical:** 5-year limited warranty; Longer life results in fewer replacements and less material used
- **Customizable:** Non-handed for right or left hand installation; Adjustable 1-4 or size 4 models available



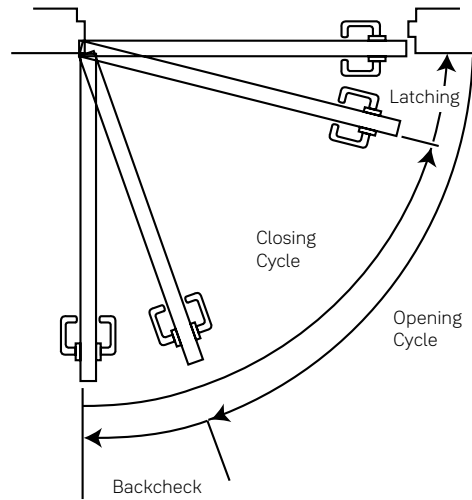
Certifications

- ANSI/BHMA A156.4, Grade 1 
- UL and cUL listed. This includes compliance to UL10C. 
- BF door closers meet handicapped requirements for light to medium weight interior doors. 

CAUTION: Door Closers for Low Opening Force Applications:

Door closers installed in openings required to meet the requirements of the Americans With Disabilities Act or ANSI/BHMA Standard A117.1, when adjusted to meet those requirements, may not provide adequate closing power to dependably close and latch the door based on opening or site conditions.

Door Closing Latching Cycle





How To Order

Model #	Description	Finish
1101BF	Multi-sized Closer - Non-Hold Open	689 690 BSP
1101BFxCOV	Multi-sized Closer - Non-Hold Open with Cover	
1104BC	Size 4 Closer with Backcheck - Non-Hold Open	
1111BF	Multi-sized Closer - Hold Open	

Sleeve Nuts furnished standard with all models.

NOTE:

- Before installing a door closer, verify the accessibility, fire, and life-safety requirements that are in effect. This includes the mounting height and projection into the clear opening. Check the adopted state and local building codes and consult the Authority Having Jurisdiction (AHJ).
- To maintain the warranty and ensure proper operation of the product, follow the installation instructions & templates and install on the inside of the building.
- Consult NFPA 80 for the hinge requirements on a fire door.
- Failure to use fasteners supplied with closer may void factory warranty.
- Optional fasteners are available for a variety of applications. Consult the door and frame manufacturer to ensure the proper fasteners are used to maintain certifications.
- Sizing charts are based on 1-3/4" x 7' standard weight doors swinging to 110°. Other application conditions (i.e. larger door heights or weight) may require larger size closer. Adjusting the spring power to meet the low opening force requirements of the Americans With Disabilities Act or ANSI/BHMA Standard A117.1, may not provide adequate closing power to dependably close and latch the door in some conditions (i.e. air movement from wind gusts or building stack pressure).

Finishes

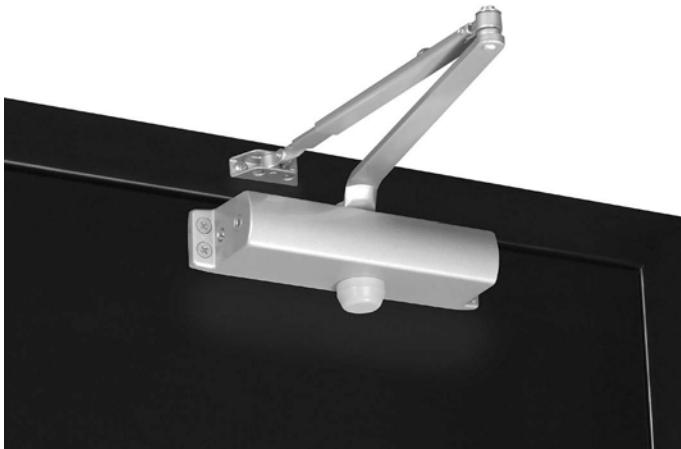
ANSI/BHMA Code Finish Description		
689 Aluminim Painted	690 Dark Bronze Painted	BSP Black Suede Powder Coat



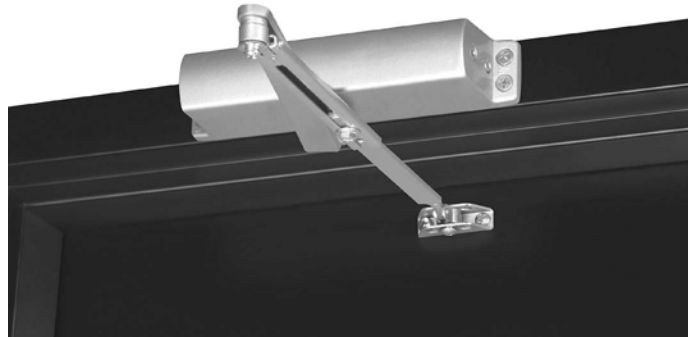
Applications



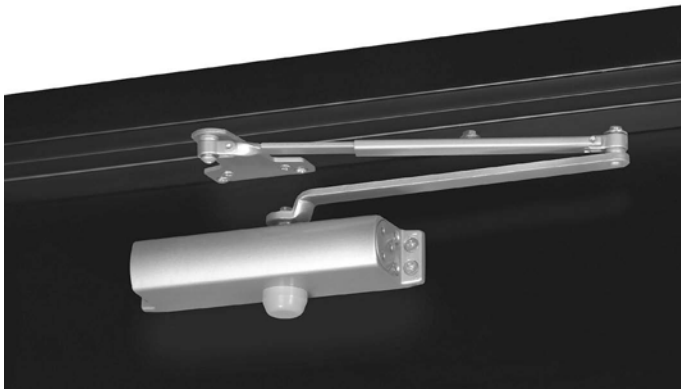
Regular Arm



Top Jamb

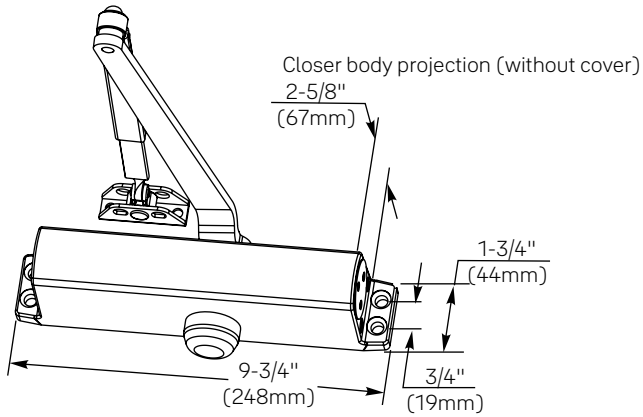


Parallel Arm





Dimensions



Parts List

Description	Part Number*
Sleeve Nuts (1-3/4" door only)	SN-134
Cover (order by part number)	1100COV

*Specify finish when ordering



Trusted every day

Phone

1-855-557-5078

Customer Service Email

customerservice.yale@assaabloy.com

Technical Product Support Email

techsupport.yale@assaabloy.com

Order Entry Email

orders.yaleus@assaabloy.com

Fax

1-800-338-0965

Website

www.yalecommercial.com

Contact Us

U.S.A.

Yale Locks & Hardware

Address: 225 Episcopal Road

Berlin, CT 06037-4004

Tel: 1-800-438-1951

Fax: 1-800-338-0965

yalecommercial.com

Canada:

ASSA ABLOY Door Security Solutions Canada

Address: 160 Four Valley Drive

Vaughan, Ontario L4K 4T9

Tel: 1-800-461-3007

Fax: 1-800-461-8989

assaabloydss.ca

International:

ASSA ABLOY Americas International

Tel: 1-905-821-7775

Fax: 1-905-821-1429

assaabloyai.com

THE YALE BRAND, with its unparalleled global reach and range of products, reassures more people in more countries than any other consumer locking solution.

THE ASSA ABLOY GROUP is the world's leading manufacturer and supplier of locking solutions, dedicated to satisfying end-user needs for security, safety and convenience.

Yale Commercial is a business associated with ASSA ABLOY Access and Egress Hardware Group, Inc., an ASSA ABLOY Group company. Copyright © 2012-2022, ASSA ABLOY Access and Egress Hardware Group, Inc. All rights reserved. Reproduction in whole or in part without the express written permission of ASSA ABLOY Access and Egress Hardware Group, Inc. is prohibited. Patent pending and/or patent www.assaabloydss.com/patents.