



nexTouch Exit Trim



Capacitive Touchscreen



Pushbutton keypad option available

Weather Resistant Seal



Lockout Mode



Low Battery Indication

9V Battery Power Backup

Standard mortise cylinder

Privacy Button

Compatible with a wide range of exit devices, including competitor models (see chart on next page)

EXIT TRIM



How To Order

EXIT TRIM

Quantity	Lever Design	Series/Function	Technology	Finish	Cylinder/Keyway	Hand*	Door Thickness
	AU – Augusta	NTT610 – Exit trim, key override, pushbutton keypad	NR – Keypad only, no radio	605 – Bright brass, clear coated	2153 cylinder keyed random standard, see pages 38-40 for additional options	RHR LHR	1-3/4" 2-1/4"
	MO – Monroe		ZW2 – Z-Wave wireless communication	613E – Dark oxidized bronze - equivalent			
	PB – Pacific Beach	NTT620 – Exit trim, key override, touchscreen keypad		626 – Satin chrome plated			
				BSP – Black suede powder coat			

*Lock is field reversible

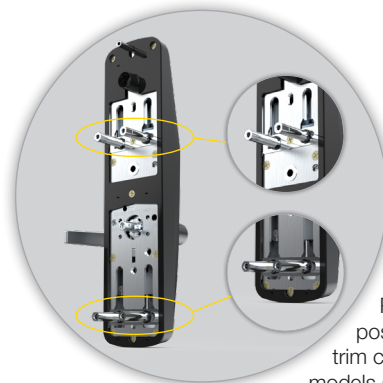
BUILD YOUR ORDER STRING

Quantity	Lever Design	Series/Function	Technology	Finish	Cylinder/Keyway	Hand	Door Thickness
<i>Example:</i>	AU	NTT620	NR	626	2153	RHR	1-3/4"

COMPATIBLE EXIT DEVICES

Thanks to its patented adjustable mounting posts, Yale nexTouch exit trim is compatible with several makes and models of exit devices right out of the box, without the need for separate mounting hardware. Check the chart below to see if yours is a fit.

Manufacturer	Model/Series Number*
Arrow	3880
Corbin Russwin	ED5200, ED5200S
Dorma	9300
Falcon®	25
SARGENT	8800
Von Duprin®	98, 99
Yale	1800, 2100/2150, 6100/6150, 7100/7150



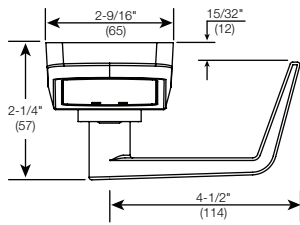
Patented adjustable mounting posts make the nexTouch exit trim compatible with many exit device models (see chart at left).

*Compatible with rim device only. Please contact Technical Product Support for more information.

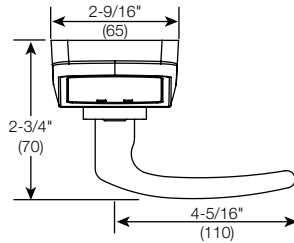
Trim Designs

EXIT TRIM

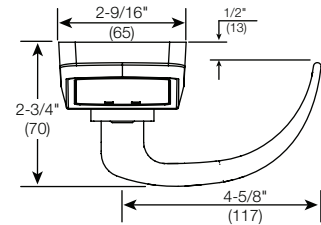
AUGUSTA AU*
AU Lever Handle: Cast



MONROE MO
MO Lever Handle: Cast



PACIFIC BEACH PB*
PB Lever Handle: Cast


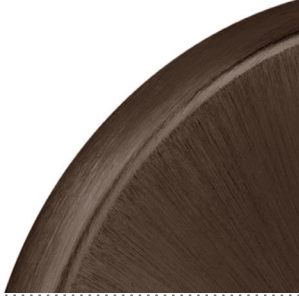
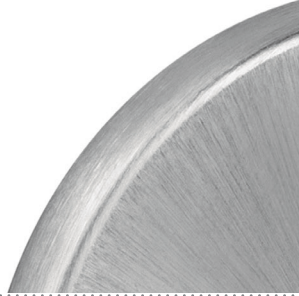



*Meets California State Reference Code for lever return



Finishes

EXIT TRIM

ANSI/BHMA Code Finish Description			
605 Bright Brass, Clear Coated	613E Dark Oxidized Satin Bronze - equivalent	626 Satin Chrome Plated	BSP Black Suede Powder Coat
			

EXIT TRIM

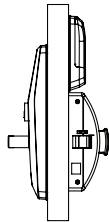
Functions

EXIT TRIM

NTT610 Pushbutton NTT620 Touchscreen

No Deadbolt With Cylinder Override

- For doors that require mechanical key override.
- Bolt retracted by pushbar on interior and lever on outside except when outside lever is locked.
- Key override unlocks the outside lever only.
- Deadlocking rim bolt.



Outside

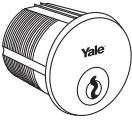
Inside



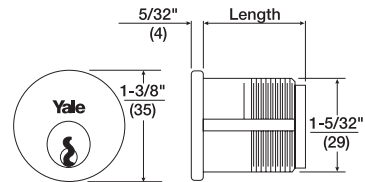
Cylinders

EXIT TRIM

Conventional Cylinders

Illustration	Cylinder Model Number	Application	Cam	Length	
				6-Pin	7-Pin
	2153	Standard cylinder	2160	1-1/8"	1-1/4"

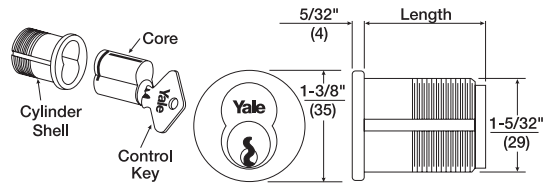
*Contact Technical Product Support for cylinder collar requirements when ordering these cylinders separately. See page 41 for other collar requirements.



Interchangeable Core Mortise Cylinders

Cylinder Model Number	Application	Cam	Length	Pins	Housing Only Model Number	Core Only Model Number
2196	Standard Cylinder	2160	1-1/2"	6	2221	1210
2197	Standard Cylinder	2160	1-11/16"	7	2213	1220

Note: When ordering interchangeable core cylinders or cores only, control keys are not furnished. If control keys are required they must be ordered separately.



EXIT TRIM

Cylinders

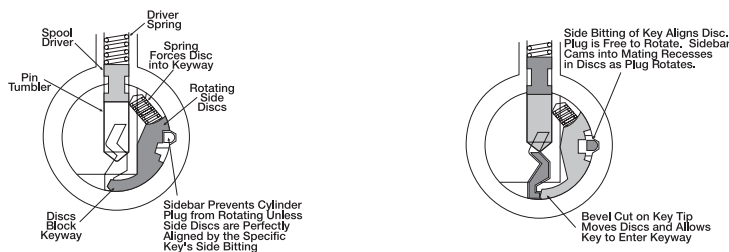
EXIT TRIM (CONTINUED)

Security Cylinders

Security cylinders contain two independent locking mechanisms. The first is a traditional 6- or 7-pin tumbler mechanism with spool drivers for greatly increased picking resistance.

The second is an innovative 5-tumbler rotating disc mechanism with sidebar engagement. The rotating discs are spring loaded and block the bottom of the keyway.

Illustration



Security/High Security Mortise Cylinders

Model Number	Application	Cam	Length	
			6-pin	7-pin
5153	Standard Cylinder	2160	1-1/8" 1-1/4"	1-1/4"

Security Interchangeable Core Mortise Cylinders

Cylinder Model Number	Application	Cam	Length	Pins	Housing Only Model Number	Core Only Model Number
5196	Standard Cylinder	2160	1-1/2"	6	2221	5210
5197	Standard Cylinder	2160	1-11/16"	7	2213	5220

Note: When ordering interchangeable core cylinders or cores only, control keys are not furnished. If control keys are required they must be ordered separately.



Cylinders

EXIT TRIM (CONTINUED)

Other Manufacturers' Keyway Cylinders/Cores

Illustration	Model Number	Type	Cam	Length	Pins	Housing Only Model Number	Core Only Model Number
	A620	Small Format IC Mortise, includes Best® Keyway Core. Available keyed random, master keyed or uncombined. Specify keyway A, B, C, D, E, F, G, H, J, K, L or M.	KC1	1-1/4"	6	K660	A600
				1-3/8"	6 or 7		
	2553	Fixed Core Mortise Schlage® "C" Keyway Cylinder. Available 0-bitted or keyed random.	2160	1-1/8"	6	N/A	N/A

Yale® KeyMark®

For those applications requiring protected key control, Yale® KeyMark® cylinders guard against unauthorized key duplication. The Yale KeyMark Security Leg® keyway feature increases resistance against picking and impressioning and can easily retrofit into existing systems. For further details and availability, refer to the separate Yale KeyMark catalog.

Protected Keyway Mortise Cylinders

Model Number	Type	Cam	Length	Pins	Housing Only Model Number	Core Only Model Number
K100	Fixed Core Mortise	KC1	1-1/8"	6 or 7	N/A	N/A
K820	Large Format IC Mortise	KC1	1-1/2"	6	K860	K800
			1-11/16"	7		
K620	Small Format IC Mortise	KC1	1-1/4"	6	K660	K600
			1-3/8"	6 or 7		

EXIT TRIM



Cylinder Collars

EXIT TRIM

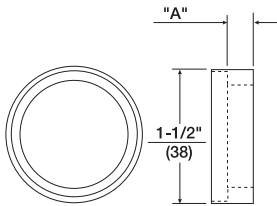
Cylinder collars are supplied as standard where required with those locksets supplied with cylinders. Collar size and thickness are supplied to suit the length of the cylinder, the thickness of the door and the trim ordered. (If door thickness is not specified, collars will be furnished for 1-3/4" (44mm) door.)

Collar length required must be specified for cylinders and/or housings ordered separately.

1765 Recessed Cylinder Collar

"A" Dimension: Thicknesses from 1/16" (2mm) to 1-15/32" (37mm) as required.

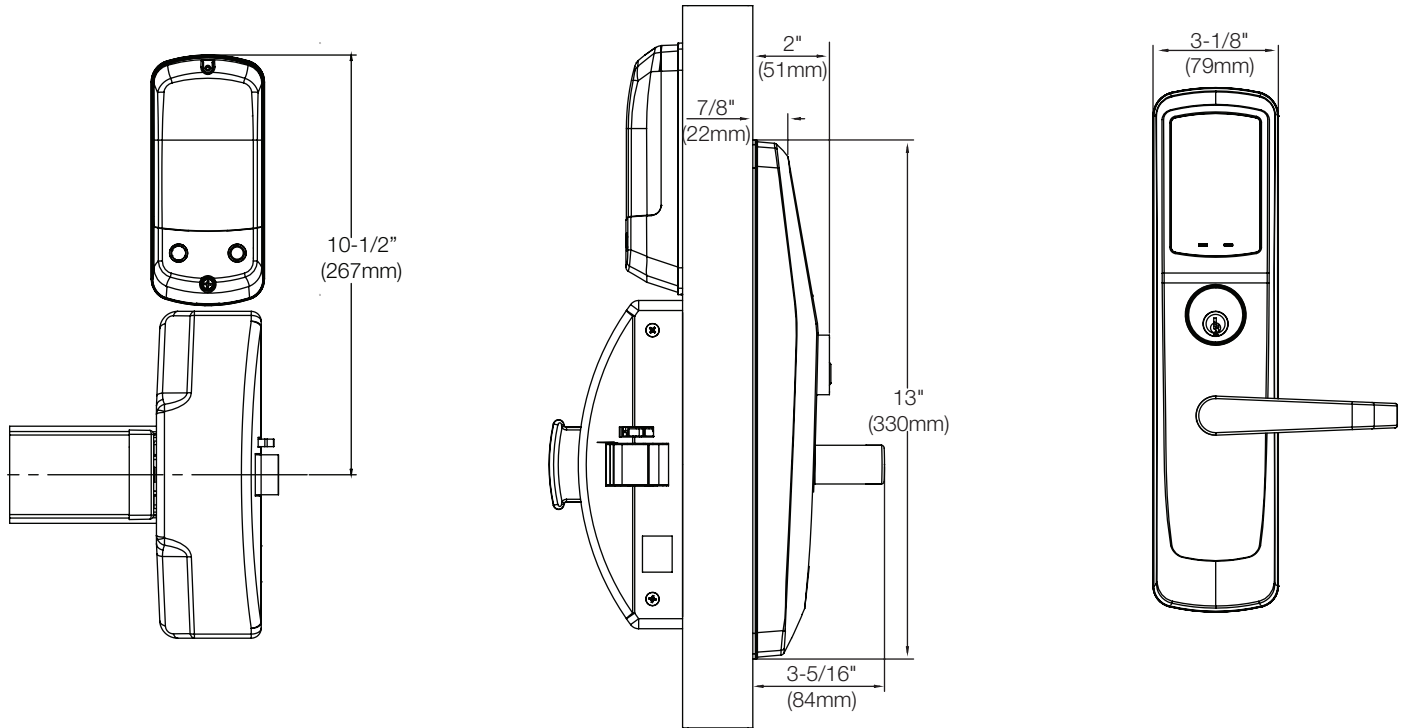
Material: Brass, Stainless Steel





Dimensions

EXIT TRIM



Dimensions given in inches (mm).

EXIT TRIM



Technology Options

EXIT TRIM

NR	Keypad only, no radio
ZW2	Z-Wave wireless communication

Yale Accentra™ Data-on-Card module available only through Authorized Channel Partners. If you require another module not listed in this catalog, please contact your local ASSA ABLOY Door Security Solutions sales representative.



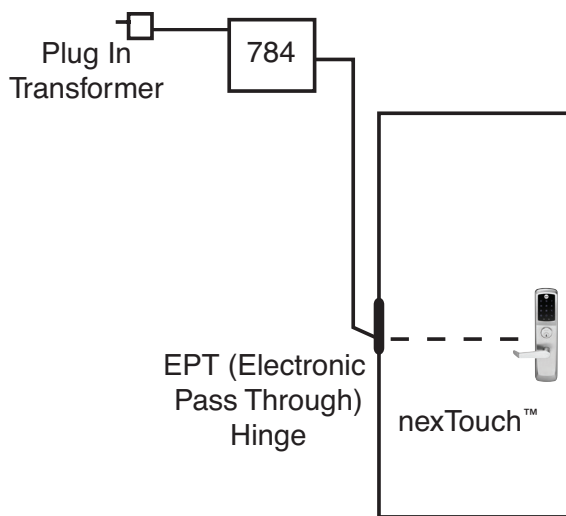
Z-Wave Module



Options and Accessories

EXIT TRIM

Model/Part Number	Description
784	Optional remote 9VDC power supply with plug-in wall transformer (used for hardwiring up to two nexTouch locks).
WH-28	Remote power wire harness (used for hardwiring).



EXIT TRIM



Certifications and Listings

EXIT TRIM

ADA



The nexTouch Series lever design meets accessibility guidelines of the Americans with Disabilities Act and the requirements of the Uniform Federal Accessibility Standards and ICC/ANSI A117.1 Accessible and Usable Buildings and Facilities, all requiring ease of accessibility.

ANSI/BHMA

nexTouch exit trim certified ANSI/BHMA A156.3, Grade 1.

FIRE LISTINGS



Functions are UL/cUL Fire Listed for use on fire doors having a rating up to and including 3 hours.

Note: Any retrofit or other field modification to a fire rated opening can potentially impact the fire rating of the opening, and Yale Locks & Hardware makes no representations or warranties concerning what such impact may be in any specific situation. When retrofitting any portion of an existing fire rated opening, or specifying and installing a new fire-rated opening, please consult with a code specialist or local code official (Authority Having Jurisdiction) to ensure compliance with all applicable codes and ratings.

FCC

Complies with limits for a Class A digital device, pursuant to part 15 of the FCC Rules.

ISO 14001

Designed and manufactured under a certified ISO 14001 quality system.

WARRANTY

nexTouch has a three year limited warranty on the mechanical and electrical components, and a one year limited warranty on the finish.