

VON DUPRIN®

98/99
Series

Exit devices



9875/9975 Mortise lock device



9875/9975 Mortise lock device for all types of single or double doors, UL listed for panic exit hardware. Devices are certified to ANSI/BHMA A156.3 2014, Grade 1. Fits stock hollow metal doors with 86 cutout and door stiles as narrow as 4 3/4" (121mm). The 9875 device has a smooth mechanism case and the 9975 device has a grooved case. The mortise lock device is non-handed except when the following device options are used: -2 (double cylinder) or SS (signal switch).

The 7500 Mortise lock is equipped with a 3/4" (19mm) anti-friction latch bolt which is field reversible without removing the lock from the door. It has a non-handed auxiliary bolt for deadlocking and a faceplate with an adjustable bevel.

Specifications

Device functions	Device ships EO/DT/NL; Field selectable; For TP, K or L remove NL drive screw from device
Device lengths	3' 2'4" to 3' (711mm to 914mm) Door size 4' 2'10" to 4' (864mm to 1219mm) Door size
Device centerline from finished floor	39 13/16" (1011mm) 39 11/16" (1008mm) with mullion
Center case	8" x 2 3/4" x 2 3/8" (203mm x 70mm x 60mm)
Mechanism case	2 1/4" x 2 1/4" (57mm x 57mm)
Projection	Pushbar neutral – 3 13/16" (97mm) Pushbar depressed – 3 1/16" (78mm)
Finishes	605, 606, 612, 625, 626/626AM, 628, 710, 711 and 643e (619 and 630 available with 98 Series only)
Fasteners and sex bolts (SNB)	Includes screw pack for 1 3/4" (44mm) and 2 1/4" (57mm) thick metal or wood doors. (Optional 425 SNB available, see page 64 for quantities)

Features and options

Electrified options

- RX** Request to exit
- RX2** Double request to exit
- E** Electric locking and unlocking trim/mortise lock
- EL** Electric latch retraction
- QEL** Quiet electric latch retraction
- SS** Signal switch
- CX** Chexit delayed exit
- ALK** Alarm exit kit
- WP-RX** Waterproof request to exit
- CON** Allegion Connect

Mechanical options

- 2** Double cylinder
- GBK** Glass bead kit
- PN** Pneumatic latch retraction
- SNB** Sex bolts
- SEC** Security screws
- WH** Weep holes

Dogging feature

Hex key dogging standard

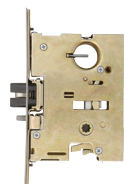
Dogging options

- CD** Cylinder dogging
- CD-CX** Chexit cylinder dogging
- CDSI** Cylinder dogging with security indicator
- HDSI** Hex dogging with security indicator
- SD** Special center case dogging
- LD** Less dogging
- DI** Dogging indicator
- CI** Cylinder dogging indicator

Strikes

- 575** – Dull black

Accessories



7500 Mortise lock



575 Strike



Hex key dogging
Comes standard on 9875/9975 mortise lock exit devices.

Device types

9875-F/9975-F Mortise lock fire exit device



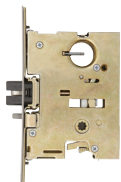
9875-F/9975-F Fire exit mortise lock devices are certified to ANSI/BHMA A156.3 2014, Grade 1 and UL listed for fire exit hardware. See page 67 for detailed information on UL listed fire exit hardware label and door opening size information. Fits door stiles as narrow as 4 3/4" (121mm). The 9875-F device has a smooth mechanism case and the 9975-F device has a grooved case. The mortise lock device is non-handed except when the following device options are used: -2 (double cylinder) or SS (signal switch) devices.

The 7500 Mortise lock is equipped with 3/4" (19mm) anti-friction latch bolt which is field reversible without removing the lock from the door. It has a non-handed auxiliary bolt for deadlocking and a faceplate with an adjustable bevel.

Specifications

Device functions	Device ships EO/DT/NL; Field selectable; For TP, K or L remove NL drive screw
Device lengths	3' 2 1/4' to 3' (711mm to 914mm) Door size 4' 2'10" to 4' (864mm to 1219mm) Door size
Device centerline from finished floor	39 13/16" (1011mm) 39 11/16" (1008mm) with mullion
Center case	8" x 2 3/4" x 2 3/8" (203mm x 70mm x 60mm)
Mechanism case	2 1/4" x 2 1/4" (57mm x 57mm)
Projection	Pushbar neutral – 3 13/16" (97mm) Pushbar depressed – 3 1/16" (78mm)
Finishes	605, 606, 612, 625, 626/626AM, 628, 710, 711 and 643e (619 and 630 available with 98 Series only)
Fasteners and sex bolts (SNB)	Includes screw pack for 1 3/4" (44mm) and 2 1/4" (57mm) thick metal or wood doors. Optional 425 SNB available for metal doors. 425 and 825 SNB required on wood doors without SLM blocking. (See page 64 for quantities)

Accessories



**7500
Mortise lock**



575 Strike

Features and options

Electrified options

RX	Request to exit
RX2	Double request to exit
E	Electric locking and unlocking trim/mortise lock
EL	Electric latch retraction
QEL	Quiet electric latch retraction
SS	Signal switch
CX	Chexit delayed exit
ALK	Alarm exit kit
WP-RX	Waterproof request to exit
CON	Alliegion Connect

Mechanical options

-2	Double cylinder
GBK	Glass bead kit
PN	Pneumatic latch retraction
SNB	Sex bolts
SEC	Security screws
SLM	Special laminate material blocking
WH	Weep holes

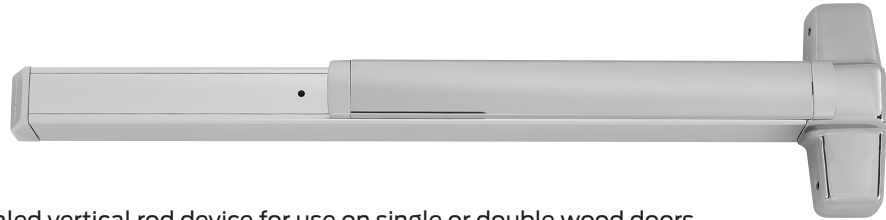
Dogging option

No mechanical dogging;
EL and QEL options available

Strikes

575 – Dull black

9847WDC/9947WDC Wood door concealed vertical rod device



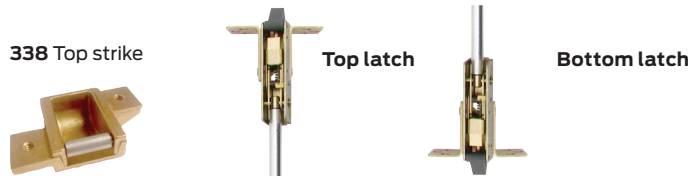
9847WDC/9947WDC Concealed vertical rod device for use on single or double wood doors, UL listed for panic exit hardware. Devices are certified to ANSI/BHMA A156.3 2014, Grade 1. The 9847WDC device has a smooth mechanism case and the 9947WDC device has a grooved case. The concealed vertical rod device is non-handed except when the following device options are used: SD (special dogging), or SS (signal switch).

Specifications

Device functions	Device ships EO/DT/NL; Field selectable; For TP, K or L remove NL drive screw from device
Device lengths	2' 2' (610 mm) Door size 3' 2'4" to 3' (711mm to 914mm) Door size 4' 2'10" to 4' (864mm to 1219mm) Door size
Device centerline from finished floor	39 5/8" (1006mm) Standard Adjustable from 35 5/8" (905mm) to 49 5/8" (1260mm)
Center case	8" x 2 3/4" x 2 3/8" (203mm x 70mm x 60mm)
Mechanism case	2 1/4" x 2 1/4" (57mm x 57mm)
Projection	Pushbar neutral – 3 13/16" (97mm) Pushbar depressed – 3 1/16" (78mm)
Latch bolt	Deadlocking top bolt, 5/8" (16mm) throw
Door undercut	1/4" (7mm) maximum
Top and bottom Latch case	3 3/4" x 1 1/2" x 1" (95mm x 38mm x 25mm)
Vertical rods	Round 2-piece adjustable rods – Top rod adjustable from 6'8" (2027mm) to 8'4" (2533mm). Bottom rod adjustable 35 5/8" (905mm) to 49 5/8" (1260 mm). Extension rod kits available for doors over 8'4" (2533mm).
Scalp plate ¹	Device is furnished standard with an 8" (203mm) long scalp plate for easy access to rods
Finishes	605, 606, 612, 625, 626, 628 and 710 (619 and 630 available with 98 Series only)
Fasteners and sex bolts (SNB)	Includes screw pack for 1 3/4" (44mm) to 2 1/4" (57mm) thick wood doors. (425 SNB required on wood doors without SLM blocking)

¹ Do not use on pair of doors with 9875/9975.

Accessories



338 Top strike

Top latch

Bottom latch

385A Bottom strike

283 Top strike
For use with wood frames



Hex key dogging
Comes standard on 9847/9947 wood door concealed vertical rod devices

Features and options

Electrified options

- LX** Latch bolt monitor switch
- RX** Request to exit
- RX2** Double request to exit
- E** Electric locking and unlocking trim
- EL** Electric latch retraction
- QEL** Quiet electric latch retraction
- SS** Signal switch
- CX** Chexit delayed exit
- ALK** Alarm exit kit
- WP-RX** Waterproof request to exit
- CON** Allegion Connect

Mechanical options

- GBK** Glass bead kit
- LBR** Less bottom rod
- PL** Pullman latch
- PN** Pneumatic latch retraction
- SNB** Sex bolts
- SEC** Security screws
- WH** Weep holes

Dogging feature

Hex key dogging standard

Dogging options

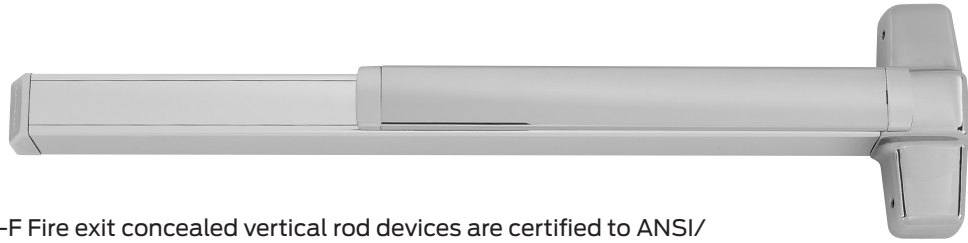
- CD** Cylinder dogging
- CDSI** Cylinder dogging with security indicator
- HDSI** Hex dogging with security indicator
- LD** Less dogging
- DI** Dogging indicator
- CI** Cylinder dogging indicator

Strikes

- Top – 338 – Unfinished**
- Bottom – 358A – Unfinished**

Device types

9847WDC-F/9947WDC-F Wood door concealed vertical rod fire device



9847WDC-F/9947WDC-F Fire exit concealed vertical rod devices are certified to ANSI/BHMA A156.3 2014, Grade 1 and UL listed for fire exit hardware. See page 67 for detailed information on UL listed fire exit hardware label and door opening size information. The 9847WDC-F device has a smooth mechanism case and the 9947WDC-F device has a grooved case. The concealed vertical rod device is non-handed except when the following device options are used: SS (signal switch).

Specifications

Device functions	Device ships EO/DT/NL; Field selectable; For TP, K or L remove NL drive screw from device
Device lengths	2' 2' (610 mm) Door size 3' 2'4" to 3' (711mm to 914 mm) Door size 4' 2'10" to 4' (864 mm to 1219 mm) Door size
Device centerline from finished floor	39 5/8" (1006 mm) Standard
Center case	8" x 2 3/4" x 2 3/8" (203mm x 70mm x 60mm)
Mechanism case	2 1/4" x 2 1/4" (57mm x 57mm)
Projection	Pushbar neutral – 3 13/16" (97 mm) Pushbar depressed – 3 1/16" (78 mm)
Latch bolt	Deadlocking top and bottom bolt, 5/8" (16mm) throw
Door undercut	1/4" (7mm) maximum
Top and bottom Latch case	3 3/4" x 1 1/2" x 1" (95mm x 38mm x 25mm)
Vertical rods	Round 2-piece adjustable rods – Top rod adjustable from 6'8" (2027mm) to 8'4" (2533mm). Bottom rod adjustable 35 5/8" (905 mm) to 49 5/8" (1260 mm). Extension rod kits available for doors over 8'4" (2533mm).
Scalp plate ¹	Device is furnished standard with an 8" (203mm) long scalp plate for easy access to rods
Finishes	605, 606, 612, 625, 626, 628, 710 (619 and 630 available with 98 Series only)
Fasteners and sex bolts (SNB)	Includes screw pack for 1 3/4" (44mm) to 2 1/4" (57mm) thick wood doors. (425 SNB required on wood doors without SLM blocking)

1. Do not use on pair of doors with 9875-F/9975-F.

Features and options

Electrified options

LX	Latch bolt monitor switch
RX	Request to exit
RX2	Double request to exit
E	Electric locking and unlocking trim
EL	Electric latch retraction
QEL	Quiet electric latch retraction
SS	Signal switch
CX	Chexit delayed exit
ALK	Alarm exit kit
WP-RX	Waterproof request to exit
CON	Allegion Connect

Mechanical options

GBK	Glass bead kit
LBR	Less bottom rod
PL	Pullman latch
PN	Pneumatic latch retraction
SNB	Sex bolts
SEC	Security screws
WH	Weep holes

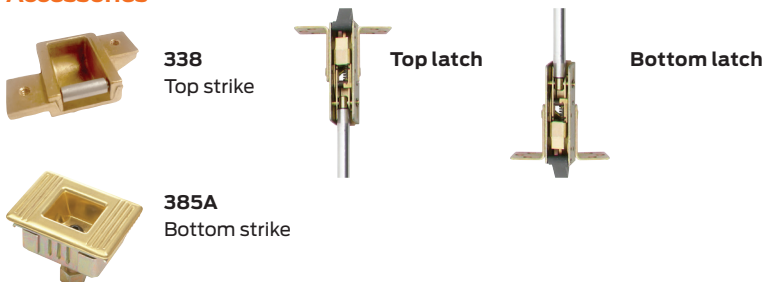
Dogging option

No mechanical dogging;
EL and QEL options available

Strikes

Top – 338 – Unfinished
Bottom – 385A – Unfinished

Accessories



Optional trim

Schlage® HL6 quiet hospital push/pull latch

Von Duprin and Schlage® have collaborated on an exit device trim that provides both accessibility and performance. In combination, the 98/9975 mortise lock device along with the newly designed Schlage HL6 quiet hospital push/pull latch delivers an exit device with mortise lock durability that utilizes an easy to use, ADA compliant push/pull trim. The HL6 is now 50% quieter through dampened paddle action, reducing the noise associated with lock operation providing healthcare organizations a reliable solution for noise reduction initiatives. The 98/9975HL device is available in most standard architectural finishes, including antimicrobial options. Consult the HL Series [catalog](#) or [data sheet](#) for complete product information.



392-7 Offset pull

The 392-7 Offset pull is 3/4" round stainless steel, with a 7" center to center which matches the 98/99 center case. Often used with a night latch operation. 3 1/2" (89mm) offset with 1 1/2" (38mm) clearance.



Vandal resistant trim: Ives VR910 and VR914 Series

VR910 black grip for softer touch and resilience to temperature extremes. VR914 grip in all stainless steel. Grip designed for comfortable operation.



Features:

- Stainless steel construction, 11 gauge (0.120" thick); 630 finish only
- Thru-bolts and rugged mounting screws for maximum fastening strength
- Built-in lock protector prevents vandalism to mortise latch bolt (available on certain models)
- Extra-tough stainless steel cylinder collar prevents pipe wrench or similar tool from damaging cylinder; tapered design prevents side impacts from transferring directly to cylinder; collar spins freely.
- Furnished with mounting screws for door thicknesses of 1 3/4" to 2 1/4"
- 1 1/2" (38mm) clearance from grip to door, total projection 1 7/8" (48mm)
- Consult the Ives catalog for more information

Model	For use with	Size
VR910DT and VR914DT	98/99 Rim or vertical rod device	5 1/2" x 11" (133mm x 279mm)
VR910NL and VR914NL	98/99 Rim or vertical rod device	5 1/2" x 11" (133mm x 279mm)
VR910M-DT and VR914M-DT	9875/9975 Mortise device	7 1/4" x 11" (184mm x 279mm)
VR910M-NL and VR914M-NL	9875/9975 Mortise device (handing required)	7 1/4" x 11" (184mm x 279mm)

Environmental options

Quiet Mechanical (QM)

The QM option controls motion to reduce operational noise. It is available for the 996 trim, as well as 98/99 and 33A/35A rim and surface vertical rod devices. The QM trim solution provides a damper-controlled lever return. Likewise, the QM rim device option provides damper-controlled re-latching.

Features and benefits

- Controlled motion to reduce operational noise
- 996 damper-controlled lever return
- 98/99 and 33/35A damper controlled re-latching
- Available pre-installed from factory or as a retrofit kit
- Compatible with QEL, AX, RX, CD and HD

Pneumatic (PN) controlled exit devices



The PN feature provides remote latch bolt retraction in hazardous areas where electrically operated devices would not be permitted. The pneumatic solenoid will retract the latch bolt for momentary or prolonged periods. PN exit devices are particularly suited for use with automatic door operators. The PN feature is available on both Panic and fire exit hardware devices.

The PN feature includes a special actuating linkage that gives building owners the option of mechanically or pneumatically dogging the exit device. If manual hex-key dogging is required, specify HD-PN (Dogging the device, whether mechanically or pneumatically, makes the device function as a push/pull unit and reduces the wear on its moving parts.) If cylinder dogging is required, the standard cylinder dogging is not available, but special center case dogging is available, specify SD-PN. SD-PN is not available on the 9875 or 9975 devices.

When activated pneumatically, the latch bolt(s) of the exit device retract in 1/2 to 1 1/2 seconds. This pneumatic operation uses air pressure ranging from 50 to 100 pounds per square inch.

This product will function only when it is part of a pneumatic system (air compressor, air lines, pneumatic system, etc.) Contact LCN for correct control boxes.

To order, specify:

- Standard — Use prefix PN, example PN99NL
- Hex key dogging — Use prefix HD-PN, example HD-PN99NL
- Special center case dogging (handing is required, specify RHR or LHR) — Use prefix SD-PN, example SD-PN99NL

Pneumatic transfer (PNT)

Pneumatic controls

PNT-1 is available for pneumatic latch retraction exit devices. Appearance and dimensions are identical to EPT models.

Electrified options

Latch retraction

Electric latch retraction (EL)

The Electric latch retraction (EL) option provides electronic control of an exit device using a powerful, continuous duty solenoid. If manual dogging is required, special center case dogging is also available for 98/99 rim and vertical systems, specify SD-EL. SD-EL is not available on 9875 or 9975 devices. UL approved for Class II circuit applications.

The EL option does not include the power transfer from door to frame, the power supply, or the control operator. Refer to EPT-2 power transfer and the PS914 power supply.

The PS914 with the 9002RS option card is the minimum option card required. Other option cards available for other functions, see PS914 power supply for additional information.

Solenoid specifications:	Solenoid resistance:
Continuous duty – 24 VDC	-grn-yel 1.2 – 2.2 OHMS
Current inrush – 16 amps	-grn-org 100 – 150 OHMS
Current holding – 0.3 amps	

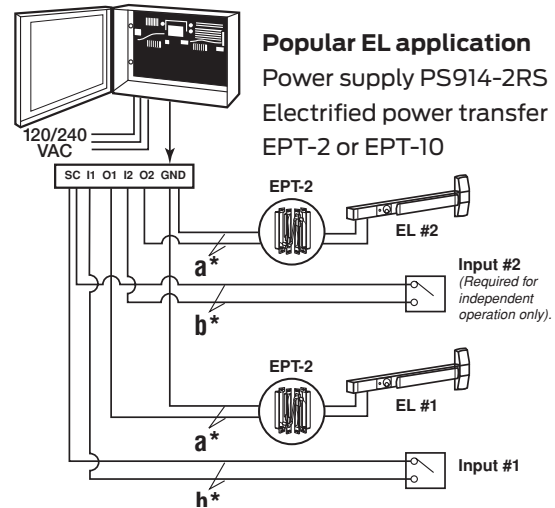
To order, specify:

1. Standard – Use prefix EL, example EL99L.
2. Hex Key dogging – Use prefix HD-EL, example HD-EL99L.
3. Special center case dogging – Use prefix SD-EL, example SD-EL99L

Note: Baseplate and EL Conversion kits are available for field retrofit. Please see parts/service manual for part numbers.

Minimum door opening widths

Application	Surface vertical	Concealed vertical	Mortise	Rim
Min. door opening	28 1/4"	28 1/4"	28 3/4"	29 1/4"



Von Duprin exit device	EL Wire length (feet) ¹	Wire gauge (AWG)
	0-500	12
EL 98/99 Rim	0-300	14
	0-200	16
a* All other 98/99EL device types	0-250	12
	0-150	14
	0-100	16
b* Control switch	0-1200	18

1. Wire lengths include an EPT, Door loop, electric hinge or pivot and are measured one way between the PS914/option board and the device.

Note: Table is applicable to devices that have shipped after August 2012.

Electrified options

Delayed egress

The Chexit® (CX) (with motor driven blocking actuator)*



The Von Duprin Chexit device is designed for controlled egress applications. It meets both life safety and security needs, as well as the requirements of NFPA 101 for "Special Locking Arrangement" and IBC "Special Egress-Control Devices". All control inputs, auxiliary locking, local alarm and remote signaling outputs are self-contained in the Chexit assembly. Numerous configurable options allow the device to be customized for the specific code or application requirements. The standard Chexit device sounds an alarm and keeps the door secured for 15 seconds following an exit attempt with immediate release upon fire.

The Chexit device includes a 6" x 20" decal for application on door. "PUSH UNTIL ALARM SOUNDS. DOOR CAN BE OPENED IN 15 SECONDS"

Chexit typical applications

Chexit single door with options – The Chexit is used as an access control device. The card reader allows access. Also shown in this application is an external horn and door position switch. The auxiliary horn is used for increased volume in remote locations. Using a door position switch gives added security to the opening in case the door is not reclosed.

With the Chexit disarmed, the opening functions as a normal exit device. If card readers are required on both sides of the door, the normally closed contacts of the readers should be wired in series.

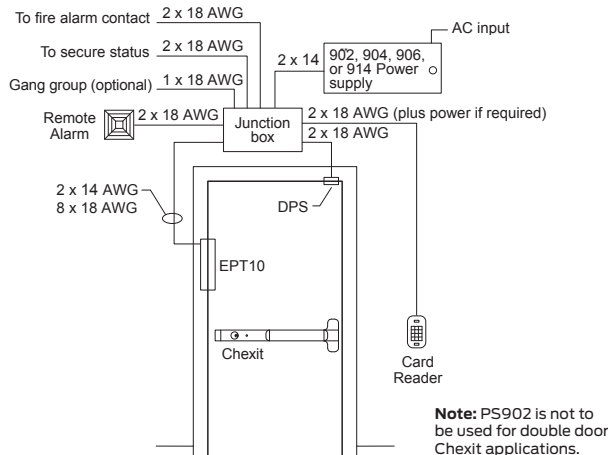


Figure 1. Riser diagram, single door

Minimum door opening sizes for CX devices

(Consult factory for other size requirements)

Device	3' (914mm) Length	4' (1219mm) Length
CX98/98-F/99/99-F	2'10 3/4" (883mm)	3'4 3/4" (1035mm)
CX-XP98/XP98-F/XP99/XP99-F	2'10 3/4" (883mm)	3'4 3/4" (1035mm)
CX9827/9827-F/9927/9927-F	2'10 1/4" (870mm)	3'4 1/4" (1022mm)
CX9847/9847-F/9947/9947-F	2'10 1/4" (870mm)	3'4 1/4" (1022mm)
CX9848/9848-F/9948/9948-F	2'10 1/4" (870mm)	3'4 1/4" (1022mm)
CX9849/9849-F/9949/9949-F	2'10 1/4" (870mm)	3'4 1/4" (1022mm)
CX9850/9850WDC-F/9950/9950WDC-F	2'10 1/4" (870mm)	3'4 1/4" (1022mm)
CX9857/9857-F/9957/9957-F	2'10 1/4" (870mm)	3'4 1/4" (1022mm)
CX9875/9875-F/9975/9975-F	2'10 1/4" (870mm)	3'4 1/4" (1022mm)

Specifications / Power supply requirements¹

Input voltage – 24VDC

Input current inrush – 1.25A

Input current holding – 390mA

Alarm relay and Secure relay contact ratings – 24VDC, 1A

Fire alarm, Inhibit and Door position switch inputs require normally closed dry contacts.

Power supply information for CX devices with motor driven blocking actuator¹

Power supply	Maximum number of devices
PS902 (up to 2 amps)	1 Chexit device
PS904 (up to 4 amps)	3 Chexit devices
PS906 (up to 6 amps)	4 Chexit devices
PS914 (up to 4 amps)	4 Chexit devices

Note: When powering multiple components, verify that the amperage requirements of all components combined does not exceed the power supply output rating, see table above for output ratings. Consult Installation Instructions for proper wire gauge and wire run requirements. Exceeding the recommended devices and/or not following Installation Instructions may void your warranty. Call Customer Care at 877-671-7011 or visit the Allegion website for more information - www.us.allegion.com.

To order, specify:

1. Prefix product description number "CX".
Example: CX99L
2. Specify option (see options on page 53).
Example: CX-RCM or CD-CX
3. Door size other than 3' (914mm).
4. Door thickness other than 1 3/4" (45mm).
5. Finish.
6. Handing, LHR or RHR. Required with "CD" option.

1. Chexit devices built after August 24, 2015 are built using motor driven blocking actuators that have decreased power supply and operating requirements. The information listed in this catalog references the power supply and operating requirements that are needed for the new products with motor driven blocking actuators. For information on devices built previous to August 24, 2015, please contact Customer Care at 877-671-7011.

Electrified options

Delayed egress

Remote Chexit Module (RCM)

Designed to provide the concept of the Chexit delayed exit system for door sizes smaller than the standard Chexit device can accommodate. The Chexit module is installed in a control box and mounted in a remote location.



RCM Module

Features and functions of the standard Chexit exit device are available on the Remote Chexit Module.

Minimum door opening sizes for RCM devices

(Consult factory for other size requirements)

Device	3' (914mm) Length	4' (1219mm) Length
CX-RCM 98/98-F/99/99-F	2'5" (737mm)	2'11" (889mm)
CX-RCM XP98/XP98-F/XP99/XP99-F	2'5" (737mm)	2'11" (889mm)
CX-RCM 9827/9827-F/9927/9927-F	2'4 1/2" (724mm)	2'10 1/2" (876mm)
CX-RCM 9847/9847-F/9947/9947-F	2'4 1/2" (724mm)	2'10 1/2" (876mm)
CX-RCM 9848/9848-F/9948/9948-F	2'4 1/2" (724mm)	2'10 1/2" (876mm)
CX-RCM 9849/9849-F/9949/9949-F	2'4 1/2" (724mm)	2'10 1/2" (876mm)
CX-RCM 9850/9850WDC-F/9950/9950WDC-F	2'4 1/2" (724mm)	2'10 1/2" (876mm)
CX-RCM 9857/9857-F/9957/9957-F	2'4 1/2" (724mm)	2'10 1/2" (876mm)
CX-RCM 9875/9875-F/9975/9975-F	2'5 1/2" (743mm)	2'11 1/2" (902mm)

Specifications / Power supply requirements*

Size – 3.75" x 5.57" x 2.50"

Input voltage – 24VDC

Input current inrush – 1.25A

Input current holding – 390mA

Alarm relay and Secure relay contact ratings – 24VDC, 1A

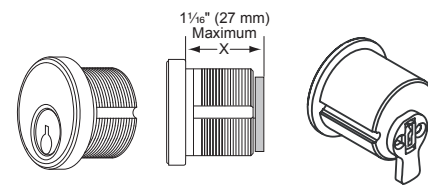
Fire alarm, Inhibit and Door position switch inputs require normally closed dry contacts.

*RCM modules built after August 24, 2015 are built using motor driven blocking actuators that have decreased power supply and operating requirements.

Note: The information listed in this catalog references the power supply and operating requirements that are needed for the new products with motor driven blocking actuators. For information on devices built previous to August 24, 2015, please contact Customer Care at 877-671-7011.

Cylinder dogging (CD)

Special center case cylinder dogging option is available to allow push/pull operation of the Chexit, when disarmed and used in a heavy traffic area. Prefix device with "CD" and specify handing.



Cylinders

Cylinders are not furnished with the Chexit device and must be specified when ordering. Use 1 1/4" mortise cylinder with compression ring 36-083 with straight cam and orient cam as shown. Schlage cylinder 20-001-114 recommended for the device and the CD cylinder dogging option. See Schlage Pricebook for additional information.

To order, specify*:

See Chexit "How to order" on page 50.

Alarm kit



Alarm kit (ALK) is a simple yet effective way to deter unauthorized use of an opening. While the exit device is still a means of egress, the ALK kit contains an internal horn. When the touch bar is depressed, the horn sounds to provide an audible means of signaling that the opening has been violated. The alarm kit can be armed or disarmed by key thus allowing the exit device to be set in an armed or disarmed mode. The horn is rated at 85 decibels.

For hardware applications

The assembly includes both a 24VDC Input and External Inhibit standard. The External Inhibit provides remote arming and dis-arming.

The key switch uses a standard 1 1/4" (32mm) mortise cylinder with a straight cam (Schlage 20-001, L583-477 cam). The unit operates on one standard 9-volt alkaline battery. When the battery is weak, the horn will emit an intermittent low battery alert signal.

Auto reset (AR) option is available with this kit. This kit allows the device to resume the alarm option after a preset time. Preset times can be field selected at 1.5, 3, or 4.5 minutes.

Alarm kits are available with a choice of two switch kits, RX or LX. RX monitors the touchpad and is furnished standard. LX optional latch bolt monitoring is recommended for use with surface vertical rod exit devices or when alarm needs to sound from both the exit device and trim side of the door. Specify ALK-LX.

Note: For latch bolt monitoring on a 98/9975 with ALK, specify a SS7500 lock. LX switch not available for 98/9975 devices.

The ALK is available in two styles, 99ALK, grooved cover and 98ALK, smooth cover.

The ALK includes a 6" x 20" decal for application on door "EMERGENCY EXIT ONLY. ALARM WILL SOUND." RSS push bar trim can be used instead of the door decal, specify RSS push bar trim when ordering the device.

When the ALK is used, standard dogging is removed. If cylinder dogging is required, there are two choices. Special center case dogging (SD) is available. Or, as an engineered special, the ALK can be moved to the hinge side of the device, and standard cylinder dogging (CD) can be added. Note size restrictions below.

To order, specify:

1. Standard, 98 ALK
2. Special center case dogging, SD98 ALK
3. Cylinder dogging, CD98 ALK

Minimum door opening sizes on ALK applications

Device	3' (914mm) Length	4' (1219mm) Length
98/98-F/99/99-F	2'10" (864mm)	3'4" (1016mm)
9875/9875-F/9975/9975-F	2'10" (864mm)	3'4" (1016mm)
9827/9827-F/9927/9927-F	2'10" (864mm)	3'4" (1016mm)
9857/9857-F/9957/9957-F	2'10" (864mm)	3'4" (1016mm)
9847/9847-F/9947/9947-F	2'9" (838mm)	3'3" (991mm)
9848/9848-F/9948/9948-F	2'9" (838mm)	3'3" (991mm)