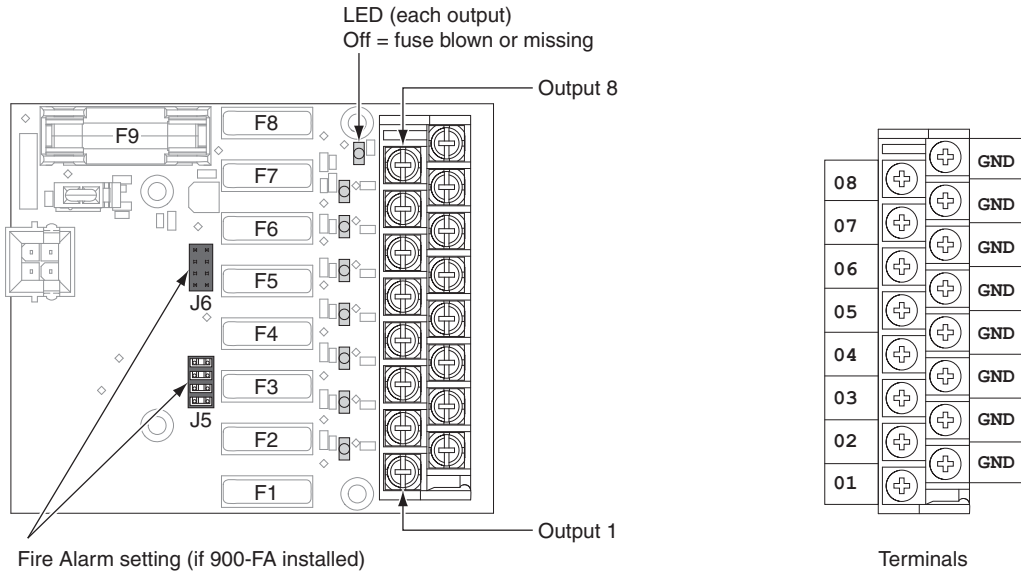


900-8F Specifications

Each Output	<ul style="list-style-type: none"> • Rated for supply maximum • 12/24VDC when AC powered • 9.6-13.2VDC or 19.2-26.4VDC when battery powered • Maximum load cannot exceed power supply ratings or 6A for outputs combined 	
Board Input Power	Board requires 0.045A max. of power supply output current to operate	
Temperature Range	32°-120° F (0°- 49° C)	
Compliance	UL 294, ULC-S318, RoHS, & FCC Part 15	
Fire Alarm Input	Accepts 900-FA Fire Alarm Board (Optional)	
F1 - F8	32V, 7.5A, ATO blade style	⚠ CAUTION: For protection against risk of fire, replace fuse with same type and rating
F9 Main Fuse	300V, 15A, 3AG style	

Function: Provides 8 independently-fused outputs.



Refer to Wire Table
(page 4)

Note:
Fail secure output only allowed if approved
by Authority Having Jurisdiction