

342 ELECTRIC DOOR SWITCH DIMENSIONS



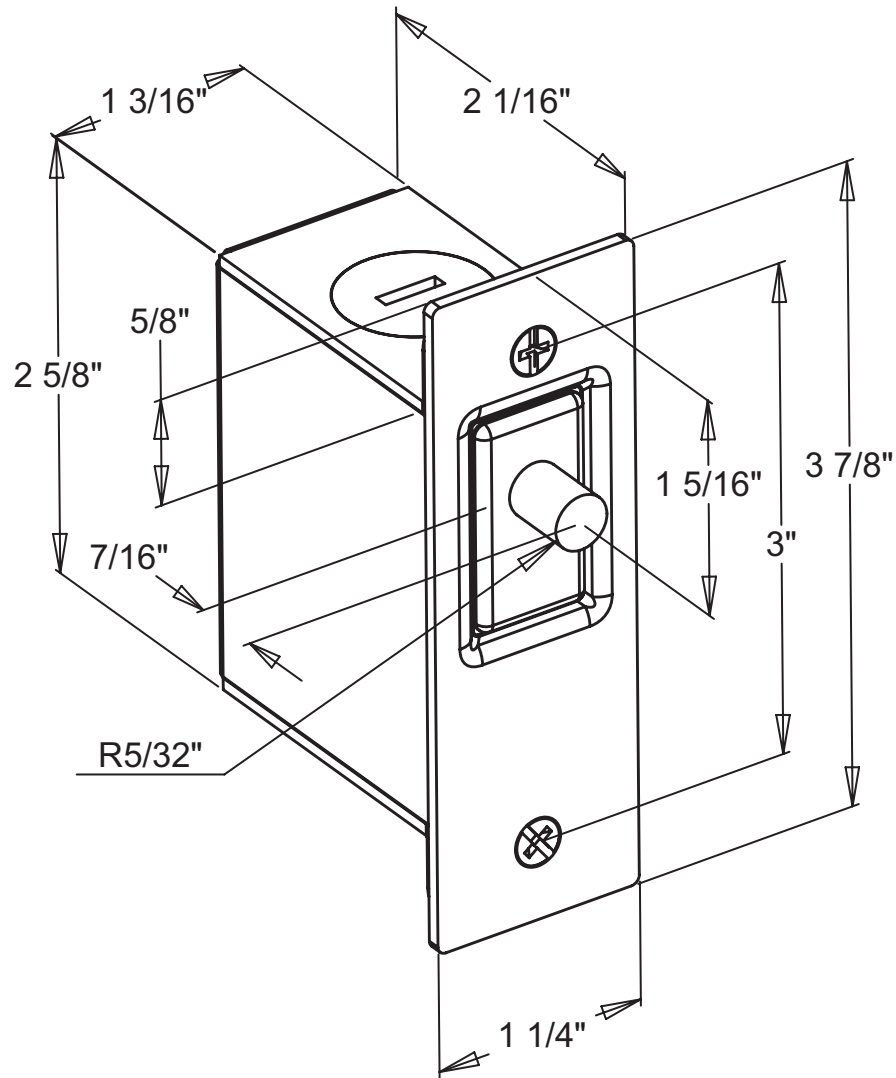
1440 Ferris Place • Bronx • New York • 10461-3699

Telephone Number: (718) 829-2332

Fax Number: (718) 829-6405

Email: CustomerService@TrineOnline.com

Website: www.TrineOnline.com



TRINE MODEL 340 & 342

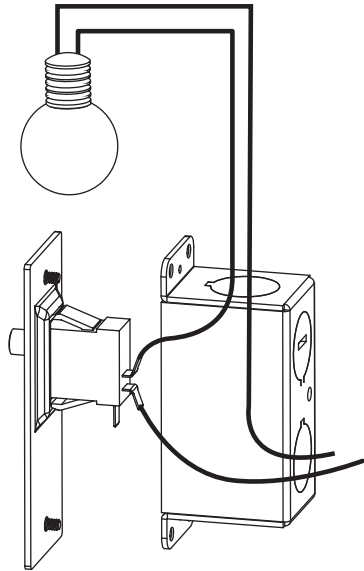
DOOR OPERATED SWITCH

To operate lights. Can be used with hinged, accordion, folding doors, sliding doors.

CAUTION: Turn off the main house power before starting electrical connection. Follow local building codes. Consult a licensed electrician if you are uncertain about approved installation procedures.

UNIT IS FIELD SELECTABLE NORMALLY OPEN OR NORMALLY CLOSED

N/C= Light On when Door Open
N/O= Light On when Door is Closed



Contact rating- 10 Amps at 120 volts
5 Amps at 250 volts
(DO NOT EXCEED CONTACT RATING)

CONTENTS:

- 1- UL, CSA listed switch
- 1- Faceplate
- 2- Wire leads, UL Listed w/Connectors
- 2- Flat Head Screws-Brass
- 4- Wood Screws-Steel

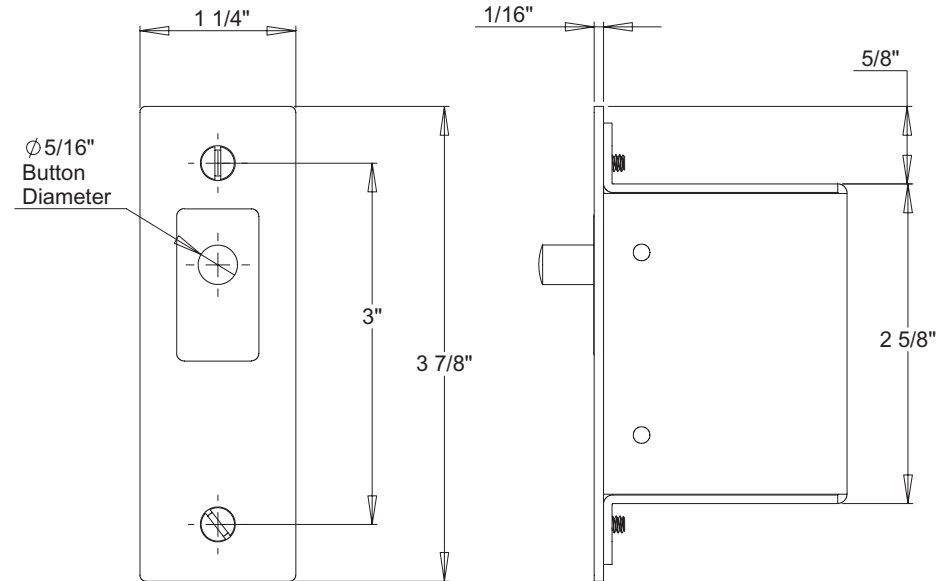
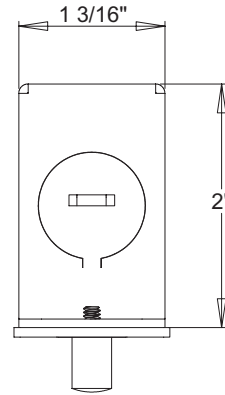
ROUGH OPENING SIZE:

	Width	Height	Depth
340,	1-3/8"	3"	1-1/2"
342,	1-3/16"	2-5/8"	2"

COVER

340,	1-1/2"	4"	1/8"
342,	1-1/4"	3-7/8"	1/8"

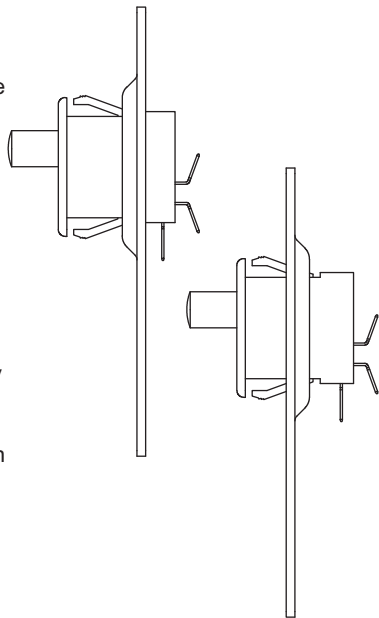
TRINE MODEL 342



The door switch can be mounted to the switch case with the 2 flat head screws (supplied).

In the event that the light stays on when the door is closed for products 340 and 342, simply rotate the faceplate to adjust the position of the switch. Remove the switch from the cover plate and reverse the plate and re-insert the switch.

Secure the switch box in position using 4 screws or nails. Bring the Romex or BX cable to the case and secure to any of the four knockouts using BX or Romex connectors approved by local codes. To ensure mounting, staple the Romex or BX cables to the wall studs within 6" of the switch case.



CLOSET LIGHT INSTALLATION

Your switch is ready to install. Simply attach the enclosed lead wires to the tabs that project from the rear of the switch. Then attach one black switch wire to the black house power lead. Attach the other black switch wire to the black lead going to the light. Attach the white house power wire to the white wire that goes to the light. Attach the bare ground wire to the box, using one of the screws, or direct to conduit, if used.

* Insulate all connections with wire nuts or tape approved by local codes.

TRINE MODEL 340

