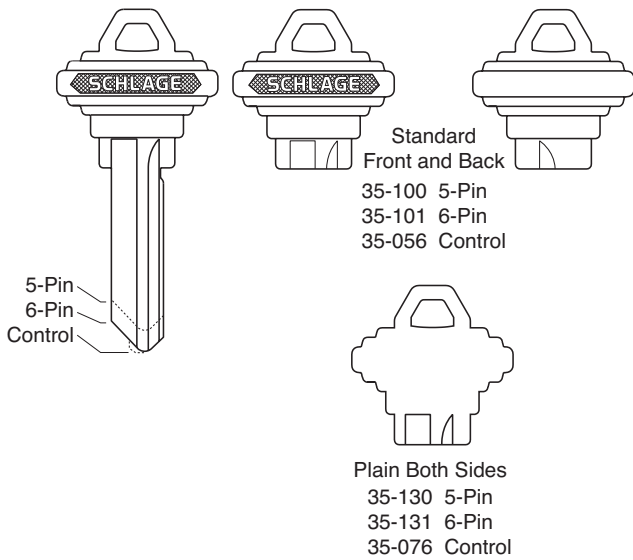


Key blanks

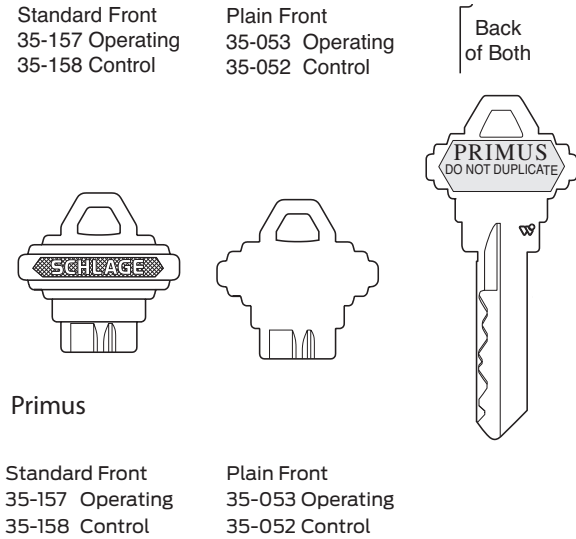
Classic

Numbers show are for key blanks. For cut keys, change “35” prefix to “48” for change keys and “49” for master keys. Suffix key section, e.g. 35-101 E. See facing page for available key sections.

Standard



Primus XP

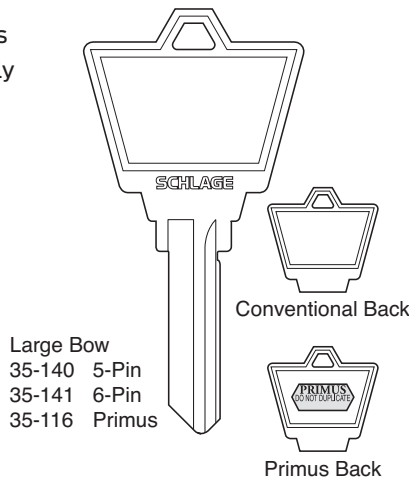


Standard bow

To order conventional key blanks with DO NOT DUPLICATE, specify XQ06-878. Specify plain bow keys for applications when keys must be stamped with additional information such as special die stamps, serial numbering, etc.

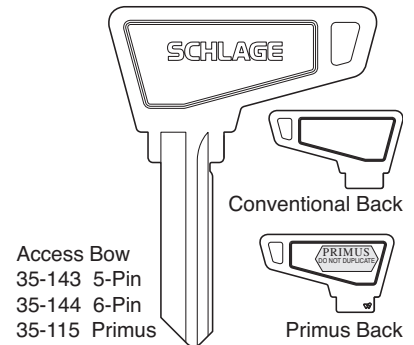
Large bow

Ideal for special keys which must be visibly distinctive within a key system, or for very specialized marking.



Access bow

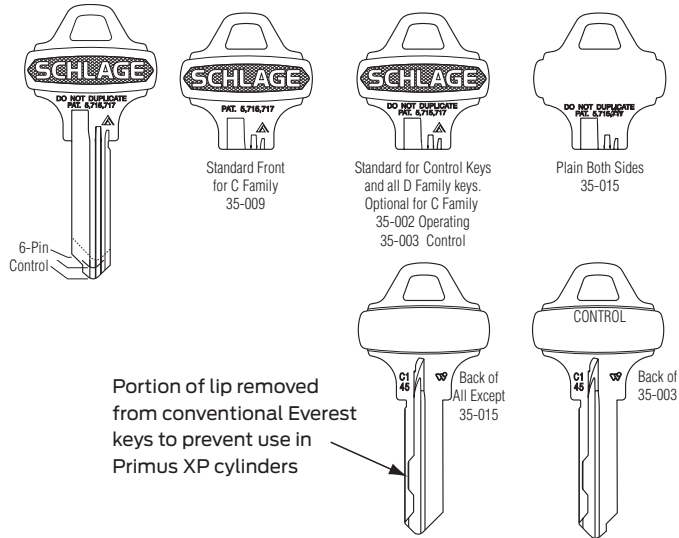
Conforms to California Title 24 for handicap access.



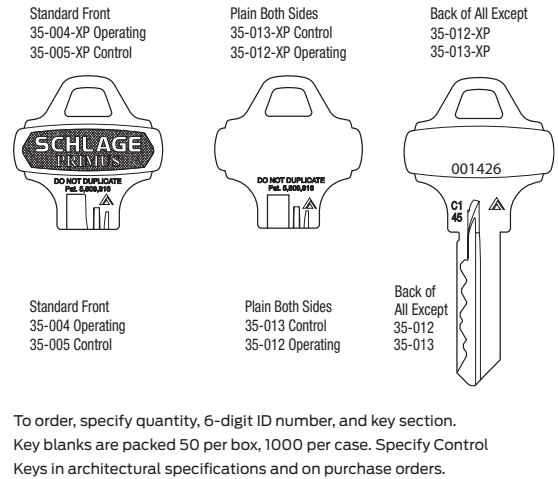
Specify control keys in architectural specifications and on purchase orders.

Everest full size key blanks

Standard



Everest Primus XP

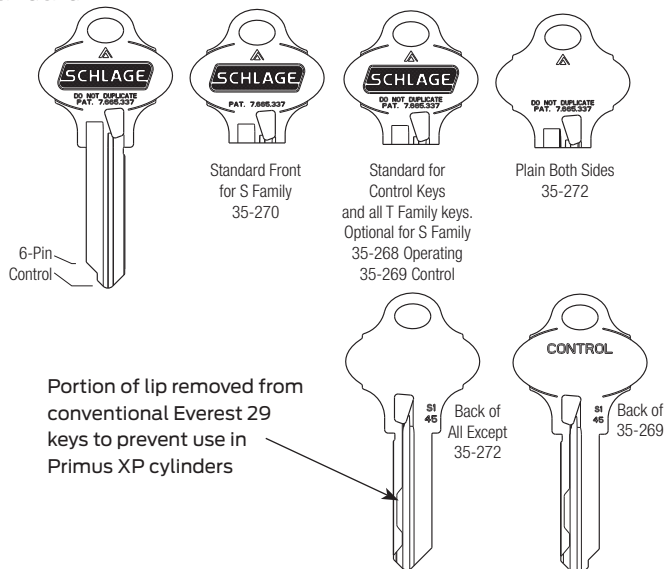


Everest conventional keys are available with and without DO NOT DUPLICATE. Specify plain bow keys for applications when keys must be stamped with additional information such as special die stamps, serial numbering, etc.

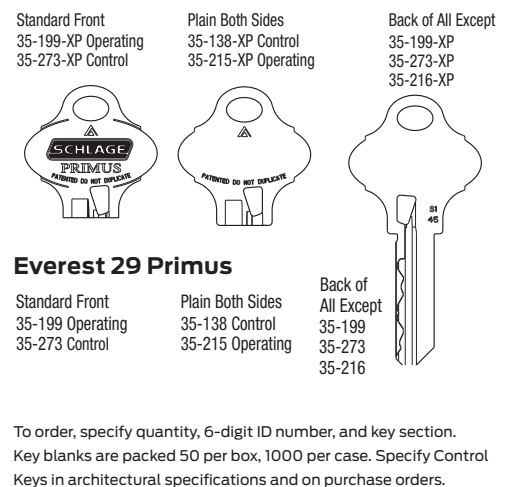
Everest 29 full size key blanks

Numbers shown are for key blanks. For cut keys, change “35” prefix to “48” for change keys and “49” for master keys. Suffix key section, e.g. 35-270 S123. See facing page for available key sections.

Standard



Everest 29 Primus XP



Everest 29 conventional keys are available with and without DO NOT DUPLICATE. Specify plain bow keys for applications when keys must be stamped with additional information such as special die stamps, serial numbering, etc.

Key blanks

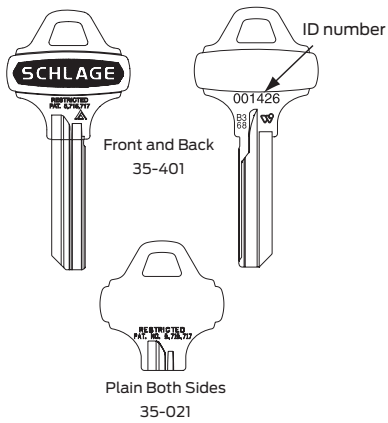
SFIC key blanks

For cut keys, change “35” prefix to “48” for change keys and “49” for master keys.
 Suffix key section, e.g. 35-009 R123. All keyways are restricted so they are not published.

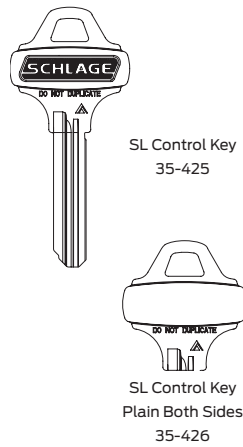
Everest B and Everest 29 R family end user restricted keyways are not stocked by locksmiths or other dealers. They are drop shipped directly to the end user and offer restricted protection without geographical exclusivity. All orders for these key blanks require a letter of authorization from the end user. Dedicated SFIC keyways are available to locksmiths and service-oriented contract hardware dealers, this keyway is controlled similar to Primus XP Levels 1+ and 7. See page 19 for details.

Everest B restricted key blanks

Standard

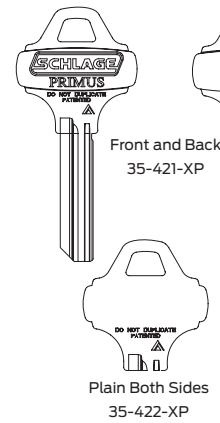


SL

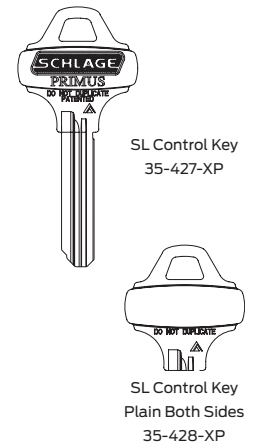


Everest B Primus XP key blanks

Standard

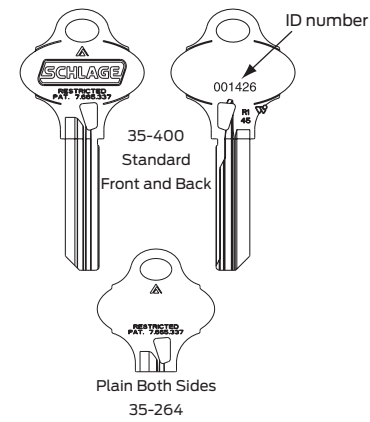


SL

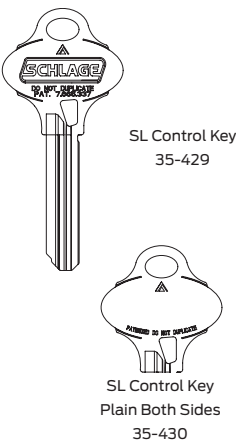


Everest 29 R patented, restricted key blanks

Standard

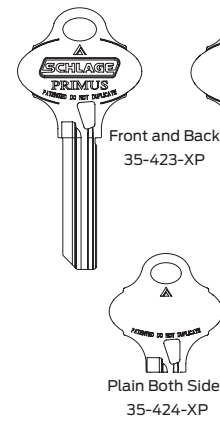


SL

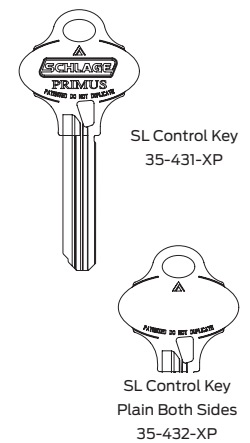


Everest 29 R Primus XP key blanks

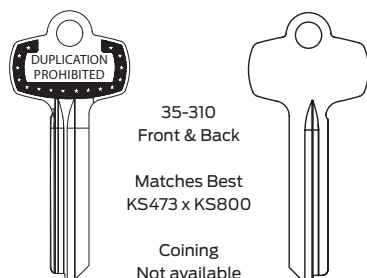
Standard



SL



Best® type key blanks



35-310
 Front & Back
 Matches Best
 KS473 x KS800
 Coining
 Not available



Available in the ten most popular Best key sections. Suffix key section plus “B” to number when ordering, (example 35-310 AB).