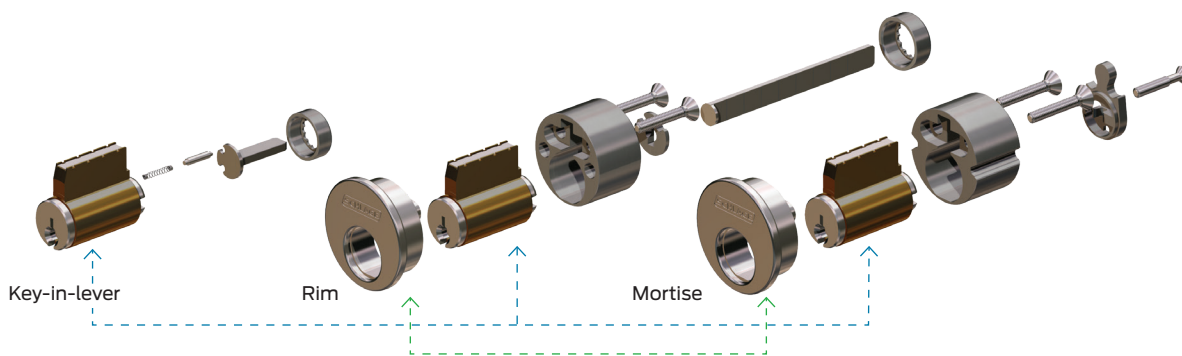


Modular, conventional cylinders fit your needs

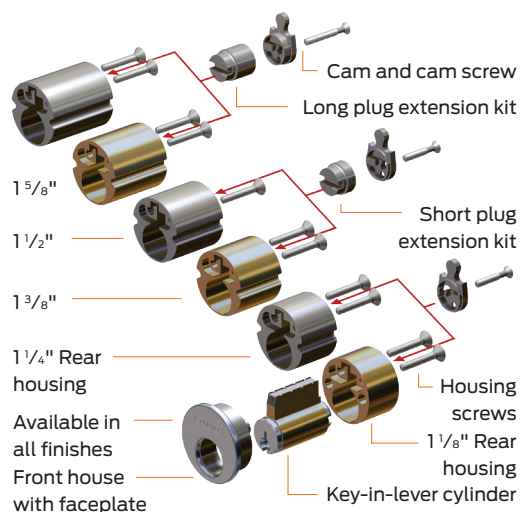
Schlage conventional cylinders offer extreme versatility in a modular design. One full-size conventional cylinder can be applied for any Schlage key-in-lever, rim or mortise need. You save on inventory costs and gain flexibility on the job.

- The modular cylinder design can accept any Schlage keyway family
- Solid brass bar stock cylinder construction and hardened stainless steel housings
- Rear mortise cylinder housing sizes range from 1 1/8" to 1 3/4"
- Fits all Schlage locksets and deadbolts
- 13 face finish options, six mortise housing lengths, one rim housing, four plug face finishes, six tail-pieces and nine cam options create a thousand potential cylinder configurations



Parts

Modular cylinders use fewer parts because the cylinder and a small number of screws, cams and plug extensions can be universally applied. The major of parts are simply the rear housings in various lengths and finishes.

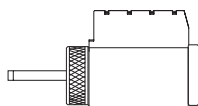


Mortise and rim front housing finish options



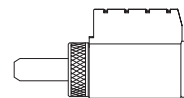
| | | | | | | | | | | | |
|--------------------|-------------------|---------------------|--------------------|-------------------------|--------------------|-------------------|---------------------|--------------------|------------------------------|-----------------------------|--------------------|
| Bright brass (605) | Satin brass (606) | Antique brass (609) | Satin bronze (612) | Oil rubbed bronze (613) | Satin nickel (619) | Matte black (622) | Bright chrome (625) | Satin chrome (626) | Bright stainless steel (629) | Satin stainless steel (630) | Aged bronze (643e) |
|--------------------|-------------------|---------------------|--------------------|-------------------------|--------------------|-------------------|---------------------|--------------------|------------------------------|-----------------------------|--------------------|

Conventional cylinders



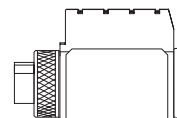
D Series knobs

| Number | Door thickness | Pins | Cylinder mechanism |
|------------|----------------|------|---|
| 23-001 | 1 3/8" - 2" | 6 | Standard pin and tumbler |
| 21-002 | >2" - 2 1/2" | | |
| 91-016 | 1 3/8" - 2" | 7 | SL cylinder (restricted Everest 29 R and Everest B only) |
| 91-004 | >2" - 2 1/2" | | |
| 20-748 | 1 3/8" - 2" | 6 | Primus |
| 20-724 | >2" - 2 1/2" | | |
| 20-548 | 1 3/8" - 2" | 6 | Primus UL 437 listed high security |
| 20-524 | >2" - 2 1/2" | | |
| 20-748-XP | 1 3/8" - 2" | 6 | Primus XP |
| 20-724-XP | >2" - 2 1/2" | | |
| 91-714-XP | 1 3/8" - 2" | 7 | Primus XP, SL cylinder (restricted Everest 29 R and Everest B only) |
| 91-704-XP | >2" - 2 1/2" | | |
| 20-548-XP | 1 3/8" - 2" | 6 | Primus XP UL 437 listed high security |
| 20-524-XP | >2" - 2 1/2" | | |
| 23-003 | 1 3/8" - 2" | 6 | Faculty restroom (D85) with indicator, standard pin and tumbler |
| 23-003-098 | >2" - 2 1/2" | | |



ND Series levers

| Number | Pins | Cylinder mechanism |
|-----------|------|--|
| 23-065 | 6 | Standard pin and tumbler |
| 91-018 | 7 | SL cylinder (restricted Everest 29 R and Everest B only) |
| 20-765 | 6 | Primus |
| 20-565 | 6 | Primus UL 437 listed high security |
| 20-765-XP | 6 | Primus XP |
| 91-718-XP | 7 | Primus XP SL cylinder (restricted Everest 29 R and Everest B only) |
| 20-565-XP | 6 | Primus XP UL 437 listed high security |
| 23-000 | 6 | Faculty restroom (ND85) with indicator, standard pin and tumbler |



S Series levers

| Number | Pins | Cylinder mechanism |
|-----------|------|--|
| 21-059 | 6 | Standard pin and tumbler |
| 91-007 | 7 | SL cylinder (restricted Everest 29 R and Everest B only) |
| 20-752 | 6 | Primus |
| 20-552 | 6 | Primus UL 437 listed high security |
| 20-752-XP | 6 | Primus XP |
| 91-772-XP | 7 | Primus XP SL cylinder (restricted Everest 29 R and Everest B only) |
| 20-552-XP | 6 | Primus XP UL 437 listed high security |

Note: For locks manufactured before September 2008 a sleeve is required. Order S605-192 sleeve.

Plug face finish options



| | | | |
|-------------------|-------------------|--------------------|--------------------|
| Satin brass (606) | Matte black (622) | Satin chrome (626) | Aged bronze (643e) |
|-------------------|-------------------|--------------------|--------------------|