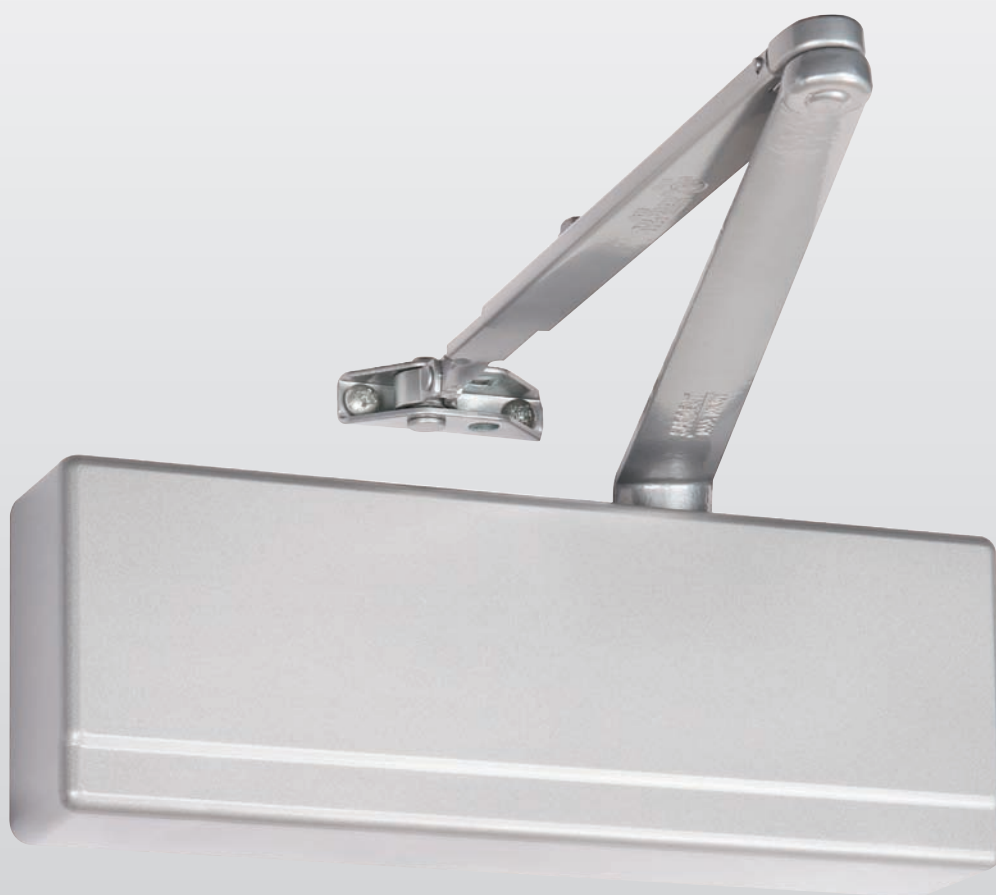
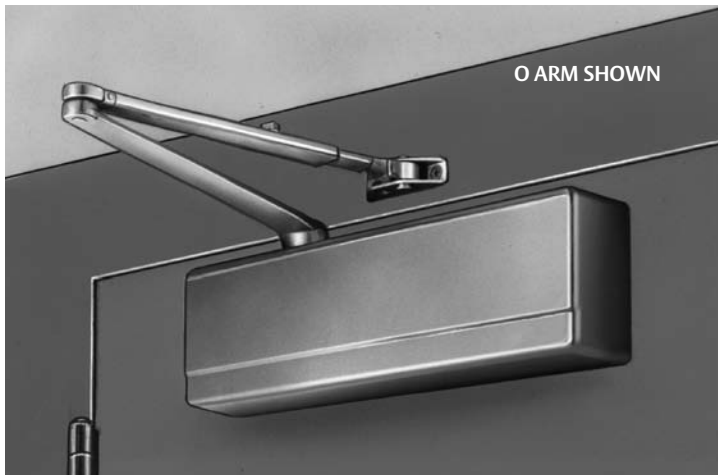


281 Series

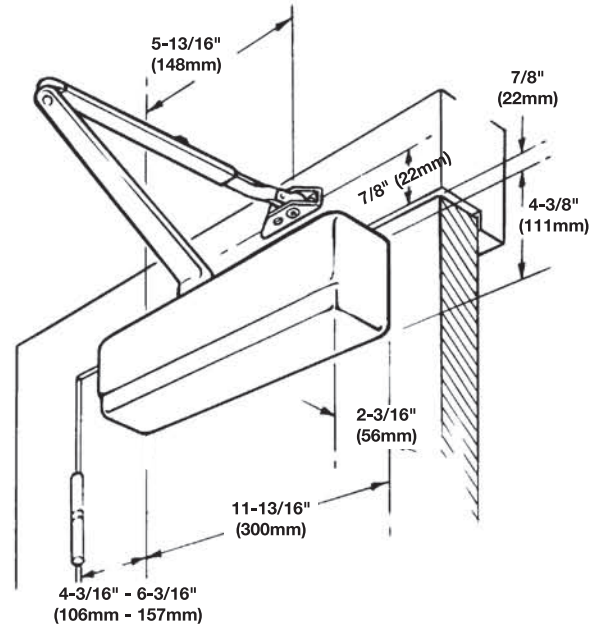
Powerglide[®]

Cast Iron Door Closer





281-O Standard Application



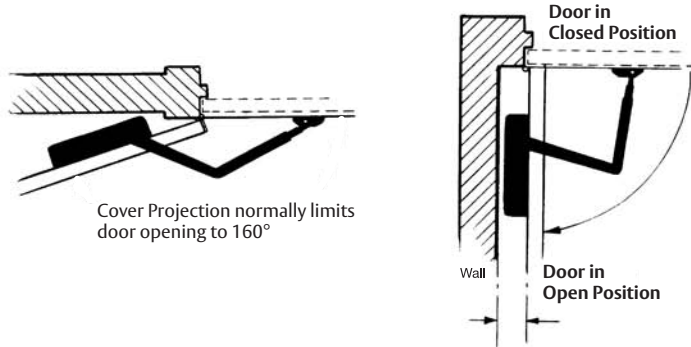
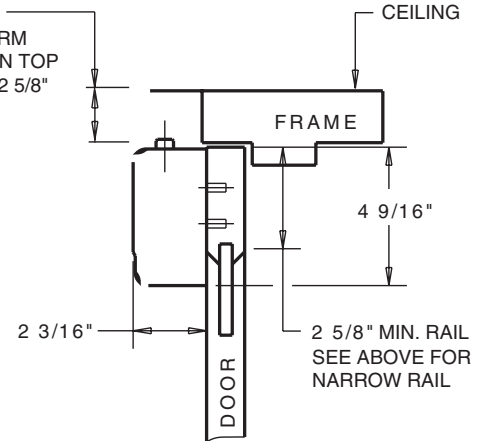
The standard application of the 281 door closer is the most common providing high degree of door control and range of power adjustment. The closer is mounted on the pull side of the door with the arm mounted on the face of the frame. When the door opens, the arm passes over the top of the door.

281 Standard Application for:

- Interior Doors Opening In or Out
- Exterior Doors Opening In
- 1-1/2" minimum frame face with a 2-5/8" door top rail or greater

Note: Base on the application & arm; verify door & frame requirements using the appropriate template

1 1/2" MIN. SPACE
REQUIRED FOR ARM
CLEARANCE WHEN TOP
RAIL OF DOOR IS 2 5/8"
OR GREATER.



Regular Duty Standard Arms

For use in moderate duty institutional applications

- Two piece sliding arm provides flexibility and ease of installation
- Double jointed arms allow flexibility in vertical mounting position
- Friction hold open arm available
- Mortised feet available for special frame applications

Heavy Duty Standard Arms

For use in abusive or high use installations

- Solid forged steel arms provide strength
- Friction hold open arm available
- Oil bronze bearings provide a high degree of wear resistance
- 2 piece rigid arms for ease of installation

Consult factory if door weight exceeds 250 lbs.

Arms for Standard Applications

281 Series Powerglide®

Regular Duty Standard Arms

O - Standard Arm

- Forged Steel Arm 11-1/4" (286mm) long
- Non-handed
- Permits 120° door opening with standard mounting
- Permits 180° door opening with alternate mounting or corner bracket

Order as 25-O x finish for arm only
Includes: 63-2607 - Main arm and link assembly
63-2216 - Foot assembly
63-3481 - Screw pack



H - Hold Open Arm

- Forged Steel Arm 11-1/4" (286mm) long
- Non-handed
- Hand is changed by inverting the foot assembly
- Friction type holder easily adjustable
- Permits 180° door opening
- Holds open from 80° – 180°

Order as 25-H x finish for arm only
Includes: 63-3070 - Main arm and swivel assembly
61-2303 - Foot assembly
63-3481 - Screw pack



O8 - Mortise Foot Arm

- Forged Steel Arm 11-1/4" (286mm) long
- Non-handed
- Permits 120° door opening
- Commonly used with bull nose frames

Order as 25-O8 x finish for arm only
Includes: 63-2607 - Main arm and link assembly
63-2273 - Foot assembly
63-3481 & 63-2391 - Screw packs



H8 - Mortise Foot Hold Open Arm

- Forged Steel Arm 11-1/4" (286mm) long
- Handed same as door
- Friction type holder easily adjusted by a wrench
- Holds open from 80° – 180°

Order 25 R-H8 for right hand and 25 L-H8 for left hand x finish for arm only
Includes: 63-3070 - Main arm & link assembly
63-2289 - Left hand foot assembly
63-2290 - Right hand foot assembly
63-2290RH - Foot assembly
63-3481 & 63-2391 - Screw packs



OLC - Standard Arm for Low Ceiling

- Forged Steel Arm 11-1/4" (286mm) long
- Non-handed
- Must be used when the distance between the top of door to ceiling is between 1 -1/4" – 1 -1/2"
- Permits 120° door opening with standard mounting

Order as 25-OLC x finish for arm only
Includes: 63-2549 - Main arm and link assembly
63-2216 - Foot assembly
63-3481 - Screw pack



UH Package

- Universal hold open arm package provides brackets and arms to install closer in top jamb, standard or parallel applications



Screw packs
63-3481 & 63-2391



UO Package

- Universal arm package provides brackets and arms to install closer in standard top jamb or parallel applications



Screw packs
63-3481 & 63-2391

125-P9



Heavy Duty Standard Arms

O10 Heavy Duty Standard Arm

- Forged Steel Arm
- Non-handed
- Permits 110° door opening with standard mounting
- Permits 180° door opening with alternate mounting

Order as 25-O10 x finish for arm only
Includes: 63-0792 - Main arm
63-4309 - Foot assembly
63-3481 - Screw pack



H10 - Hold Open Heavy Duty Standard Arm

- Forged Steel Arm
- Non-handed
- Hand is changed by inverting the foot assembly
- Friction type holder easily adjusted by a wrench
- Permits 180° door opening
- Holds open from 80° – 180°

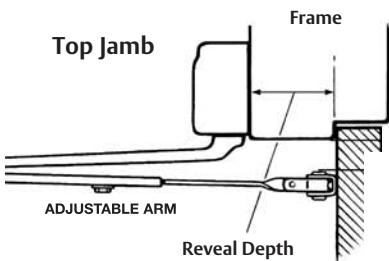
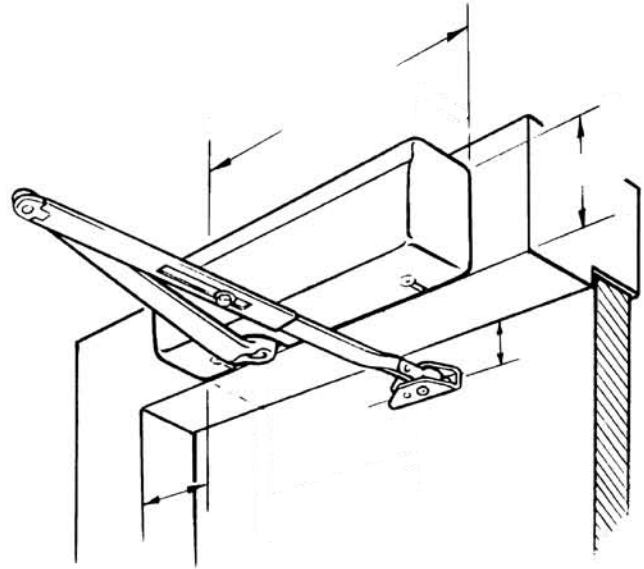
Order as 25-H10 x finish for arm only
Includes: 63-0792 - Main arm
63-4308 - Foot assembly
63-3481 - Screw pack





Top Jamb Application – The 281 closer is mounted on the frame face above the door. The foot is mounted on the push side of door. This application is for use on exterior doors opening out to protect the closer from the weather. The Frame Face must be at least 4-3/8". With the 281-B mounting plate, the rail must be at least 1-7/16" min.

281-O Top Jamb Mounting Position



281 Typical Reveal Top Jamb Applications

For reveals up to 2" (51mm) maximum

- O Arm - Max. Door Opening: 180°
- H Arm - Hold Open Range: 80°-180°

281 Deep Reveal Top Jamb Applications

For reveals from 2-1/8" (54mm) to 5" (127mm)

- OZ Arm - Max. Door Opening: 140°
- HZ Arm - Hold Open Range: 80°-140°

281 Extra Deep Reveal Top Jamb Applications

For reveals from 5-1/8" (130mm) to 8" (230mm)

- OZA Arm - Max. Door Opening: 140°
- HZA Arm - Hold Open Range: 80°-130°

Consult factory if door weight exceeds 250 lbs.

Minimum Frame Face Required

- 4-3/8" minimum frame face for both single and double rabbeted frames
- 1-7/16" minimum frame face with 281-B Mounting Plate

Note: Base on the application & arm; verify door & frame requirements using the appropriate template

Minimum Door Top Rail Required to Mount Closer Foot

- 1-7/8" (48mm) minimum
- Rail height used will vary depending on type and make of auxiliary holder

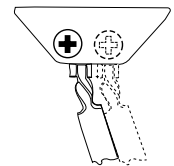
Note: Base on the application & arm; verify door & frame requirements using the appropriate template

Adjustable Closing Force

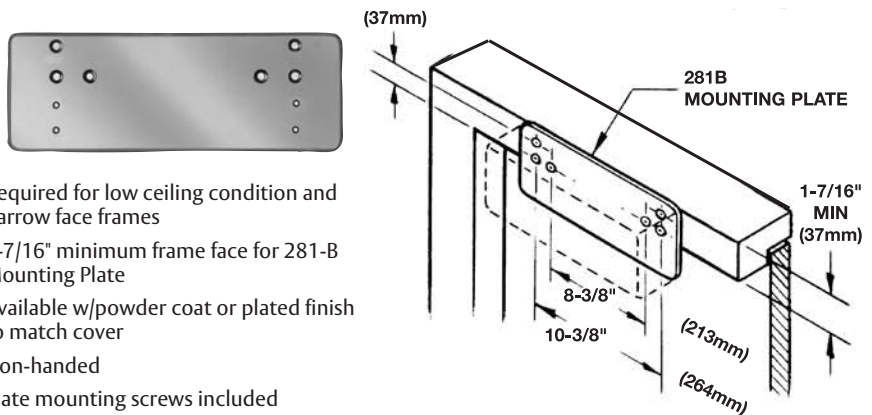
- Interior doors to 5'0" wide
- Exterior doors to 4'0" wide
- Shipped factory preset for 3'0" door
- Factory pre-sized upon request

Arm Leverage Adjustment

Closers using "O" arms have the provision to increase closing power by 15% by adjusting foot pivot



Top Jamb Application for Low Ceilings using 281-B Mounting Plate



- Required for low ceiling condition and narrow face frames
- 1-7/16" minimum frame face for 281-B Mounting Plate
- Available w/powder coat or plated finish to match cover
- Non-handed
- Plate mounting screws included
- Order as 281-B x finish

Arms for Top Jamb Applications

281 Series Powerglide®

Narrow Reveal Arms

O - Standard Arm

- Forged Steel Arm
11-1/4" (286mm) long
- For reveals up to
2" (51mm)
- Non-handed
- Permits
180° door opening



Order as 25-O x finish for arm only
Includes: 63-2607 - Main arm and link assembly
63-2216 - Foot assembly
63-3481 - Screw pack

H - Hold Open Arm

- Forged Steel Arm
11-1/4" (286mm) long
- For reveals up to
2" (51mm)
- Adjustable friction
holder
- Non-handed
- Permits 180° door opening



Order as 25-H x finish for arm only
Includes: 63-3070 - Main arm and link assembly
61-2303 - Foot assembly
63-3481 - Screw pack

Deep Reveal Arms

OZ - Standard Arm for Deep Reveals

- Forged Steel Arm
11-1/4" (286mm) long
- For reveals from
2-1/8" (54mm) –
5" (127mm)
- Non-handed
- Permits 140° door opening



Order as 25-OZ x finish for arm only
Includes: 63-2607 - Main arm and link assembly
63-2217 - Foot assembly
63-3481 - Screw pack

HZ - Hold Open Arm for Deep Reveals

- Forged Steel Arm
11-1/4" (286mm) long
- For reveals from
2-1/8" (54mm) –
5" (127mm)
- Adjustable friction holder
- Non-handed
- Permits 140° door opening



Order as 25-HZ x finish for arm only
Includes: 63-2230 - Main arm and link assembly
61-2303 - Foot assembly
63-3481 - Screw pack

Extra Deep Reveal Arms

OZA - Standard Arm for Extra Deep Reveal

- Forged Steel Arm
11-1/4" (286mm) long
- For reveals
5-1/8" (130mm) –
8" (203mm)
- Non-handed
- Permits 140° door opening



Order as 25-OZA x finish for arm only
Includes: 63-2607 - Main arm and link assembly
63-2218 - Foot assembly
63-3481 - Screw pack

HZA - Hold Open Arm for Extra Deep Reveal

- Forged Steel Arm
11-1/4" (286mm) long
- For reveals
5-1/8" (130mm) –
8" (203mm)
- Adjustable friction holder
- Non-handed
- Permits 140° door opening

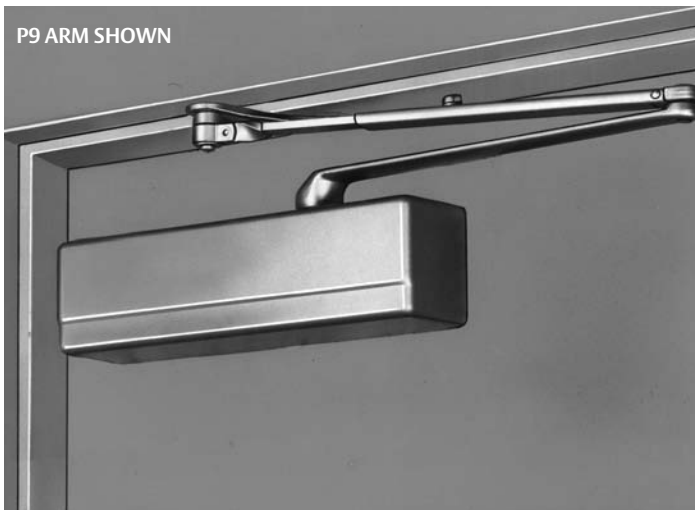


Order as 25-HZA x finish for arm only
Includes: 63-2231 - Main arm and link assembly
61-2303 - Foot assembly
63-3481 - Screw pack

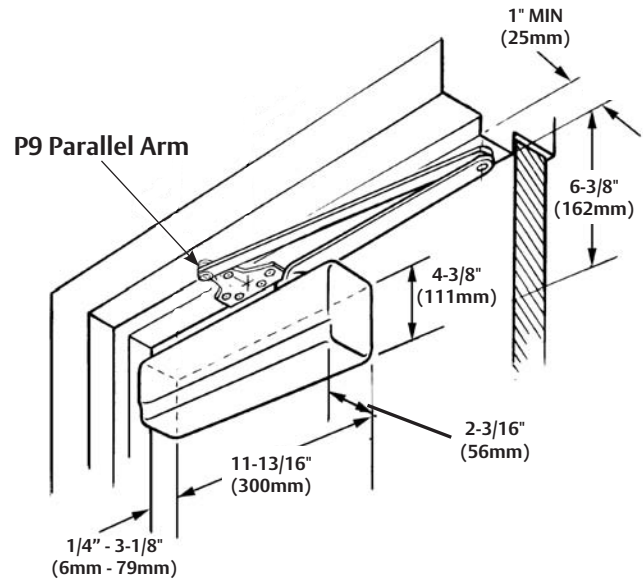
Parallel Arm Applications

281 Series Powerglide®

SARGENT
ASSA ABLOY



281-P9 Regular Parallel Arm Application



Parallel Arm Application – The 281 closer is mounted on the push side of the door. As the door opens, the closer swings with the door and gives full headroom in the door opening. Other advantages are that the closer arm does not project into the room, the frame can be quite narrow and the door can be swung open much further than in Top Jamb Applications. However, the closing force is not as great.

281-P9 Parallel Application

- 4-3/8" minimum door top rail with a minimum of 6-7/8" unobstructed door top rail

281-P10 Parallel Application

- 5" minimum door top rail with a minimum of 6-3/4" unobstructed door top rail
- 3" minimum soffit, when less than 3" use a 125V bracket

Note: Base on the application & arm; verify door & frame requirements using the appropriate template

Heavy Duty Parallel Arms For use in high traffic and abusive environments

- Forged steel arm and cast iron foot bracket for strength and durability
- Oiled bronze bearings for superior wear resistance
- 2 piece rigid arms for ease of installation
- Friction and positive hold open arms available
- Use friction hold open arms for doors subject to moderate hold open use
- Dead stop and compression stop arms available
- Security non-hold open arms available

Regular Duty Parallel Arms

- For use in moderate duty institutional applications
- Double jointed arm provides flexibility in the vertical mounting position of closer
- Flush frame arms available for use with Auxiliary Holders & Stops
- Flush frame, friction hold open arms available
- Friction hold open arms available
- Use friction hold open arms for doors subject to moderate hold open use
- Use offset bracket arms with auxiliary holders and stops

Non Hold Open Arms

- Two mounting positions for 120° and 180° maximum door openings

Stop & Stop/Hold Open Arms

- 6 mounting positions allow stop from 85°–110° with PS, PSH, CPS & CPSK arms

Standard Mounting Position

- 120° Maximum door opening
- Holding range of friction hold open arms: 75° – 110°

Alternate Mounting Position

- Maximum door opening: 180°
- Holding range of friction hold open arms: 85° – 170°

Consult factory if door weight exceeds 250 lbs.

Heavy Duty Parallel Arms

281 Series Powerglide®

P10 - Heavy Duty Parallel Arm



- Forged Steel Arm, 11-1/4" (286mm) long
- Non-handed
- Easily installed
- Permits 120° opening at standard mounting
- Permits 180° opening at alternate mounting

Order as 25-P10 x finish for arm only
Includes: 63-0641 - Main arm
63-3727 - Arm and bracket assembly
63-3481 & 63-2392 - Screw packs

PH10 - Heavy Duty Friction Hold Open Parallel Arm



- Equipped with adjustable friction holder
- Adjustable hold open from 75° – 180°
- Forged steel arm, 11-1/4" (286mm) long
- Handed same as door
- Use friction hold open arms for doors subject to moderate hold open use

Order as 25-PH10 x finish for arm only
Includes: 63-0641 - Main arm
63-3839 - Left hand arm and bracket assembly
63-3840 - Right hand arm and bracket assembly
63-3481 & 63-2392 - Screw packs

PD10 - Heavy Duty Parallel Drop Arm



- Arm to be used with surface overhead applied stops
- Forged Steel Arm, 11-1/4" (286mm) long
- Lowers closer 1-1/4" on door
- Non-handed
- Easily installed
- Permits 120° opening at standard mounting
- Permits 180° opening at alternate mounting

Order as 25-PD10 x finish for arm only
Includes: 63-0641 - Main arm
63-4317 - Arm and bracket assembly
63-3481 & 63-2392 - Screw packs

Heavy Duty Hold Open and Stop Arms

Common features:

- Forged steel arms
- Non-handed
- Easy installed and adjusted
- Use positive stop hold open arms for doors subjected to repetitive hold open

PS - Heavy Duty Parallel Arm with Positive Stop



- Provides built in stop from 85° – 110°

Order as 25-PS x finish for arm only
Includes: 63-0641 - Main arm
63-3837 - Arm and bracket assembly
63-3481 & 63-2392, 63-2396 - Screw packs

CPS - Heavy Duty Parallel Arm with Compression Stop



- Provides built in compression stop from 85° – 105°
- Dead stop within 3°

Order as 25-CPS x finish for arm only
Includes: 63-0641 - Main arm
63-3830 - Arm and bracket assembly
63-0516 - Bumper holder
63-3493 - Bumper
63-3481 & 63-2398 - Screw packs

PSH - Heavy Duty Parallel Hold Open Arm with Positive Stop



- Adjustable hold open tension
- Hold open function may be disengaged
- Permits 85° – 110° door opening

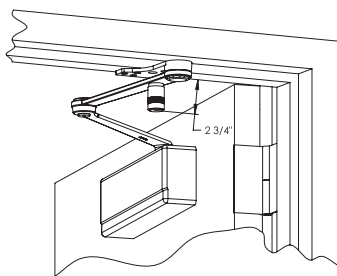
Order as 25-PSH x finish for arm only
Includes: 63-0641 - Main arm
63-3833 - Arm and bracket assembly
63-3481 & 63-2392, 63-2396 - Screw packs

CPSH - Heavy Duty Hold Open Parallel Arm with Compression Stop



- Adjustable hold open tension
- Hold open function may be disengaged
- Provides built in compression stop and holder mechanism from 85° – 105°
- Dead stop within 3°

Order as 25-CPSH x finish for arm only
Includes: 63-0641 - Main arm
63-3836 - Arm and bracket assembly
63-0516 - Bumper holder
63-3493 - Bumper
63-3481 & 63-3487 - Screw packs



The PSH and CPSH arms project 2-3/4" below the head stop

Copyright © 2005-2021, SARGENT Manufacturing Company. All rights reserved. Reproduction in whole or in part without the express written permission of SARGENT Manufacturing Company is prohibited. Patent pending and/or patent: www.assaabloydss.com/patents.

Hold Open Arms

PH4 - Flush Frame, Friction Hold Open Arm

- Forged Steel Arm 11-1/4" (286mm) long
- Holds open from 75° – 180°
- Easily adjusted by wrench
- Non-handed
- Use on frames where stop or soffit is too narrow to mount the standard hold open foot bracket



Order as 25-PH4 x finish for arm only
Includes: 63-3070 - Main arm and link assembly
61-2303 - Foot assembly
64-0050 - Foot bracket
63-3481 & 63-2391 - Screw packs

PH9 - Friction Hold Open Arm

- Forged Steel Arm 11-1/4" (286mm) long
- Holds open from 75° – 180°
- Easily adjusted by wrench
- Non-handed



Order as 25-PH9 x finish for arm only
Includes: 63-3070 - Main arm and link assembly
61-2303 - Foot assembly
64-0039 - Foot bracket (125 PH9)
63-3481 & 63-2391 - Screw packs

Offset Bracket Arms

P3 - 1" Offset Bracket for use with Auxiliary Holder/Stop

- Forged Steel Arm 11-1/4" (286mm) long
- For use with auxiliary surface overhead stops and holders
- Foot bracket is offset 1" more than P-9, allowing door closer to be lowered on door face
- Non-handed



Order as 25-P3 x finish for arm only
Includes: 63-2607 - Main arm and link assembly
63-2270 - Foot assembly
63-3481 & 63-2391 - Screw packs

P3A - 1-3/4" Offset Bracket for use with Auxiliary Holder/Stop

- Forged Steel Arm 11-1/4" (286mm) long
- For use with auxiliary surface overhead stops and holders and door coordinators
- Foot bracket lowers door closer an additional 3/4" below P3 bracket
- Non-handed



Order as 25-P3A x finish for arm only
Includes: 63-2607 - Main arm and link assembly
63-2274 - Foot assembly
63-3481 & 63-2391 - Screw packs

P4 - 1" Offset Flush Frame Arm for use with Auxiliary Holder/Stop

- Forged Steel Arm 11-1/4" (286mm) long
- Foot bracket is attached to frame or transom face
- Foot bracket is offset 1" more than P9, allowing door closer to be lowered on door face
- For use where stop or soffit is too narrow for the standard P9
- Permits 120° opening with standard mounting
- Permits 180° opening with alternate mounting
- Non-handed



Order as 25-P4 x finish for arm only
Includes: 63-2607 - Main arm and link assembly
63-2295 - Foot assembly
63-3481 & 63-2391 - Screw pack

P4A - 1-3/4" Offset Flush Frame Arm for use with Auxiliary Holder/Stop

- Forged Steel Arm 11-1/4" (286mm) long
- For use with auxiliary surface overhead stops and holders
- Foot bracket is attached to frame or transom face
- Foot bracket lowers door closer an additional 3/4" below P4 bracket
- Non-handed



Order as 25-P4A x finish for arm only
Includes: 63-2607 - Main arm and link assembly
63-2272 - Foot assembly
63-3481 & 63-2391 - Screw packs

P9 - Standard Parallel Arm

- Forged Steel Arm 11-1/4" (286mm) long
- Non-handed



Order as 25-P9 x finish for arm only
Includes: 63-2607 - Main arm and link assembly
63-3405 - Foot assembly
63-3481 & 63-2391 - Screw packs

UO Package

- Universal arm package provides arms and brackets to install closer in standard top jamb or parallel application



Screw packs
63-3481 & 63-2391

125-P9

UH Package

- Universal hold open arm package provides brackets and arms to install closer in top jamb, standard or parallel applications



Screw packs
63-3481 & 63-2391

125-PH9

Accessories For Parallel Applications

281 Series Powerglide®

SARGENT
ASSA ABLOY

Heavy Duty Parallel Arm Accessories

581-2 Blade Stop Spacer Kit



- For frames with 1/2" blade stops
- For use with P10, PH10, PS, PSH, CPS and CPSH arms
- 125-V bracket included
- Packed with 1-1/4" long screws
- Use P/N 64-0157 to order blade stop only

125-V/125-VF Brackets



125-V

- For use with all heavy duty parallel arms
- Use 125-V for narrow stop and frame conditions
- Use 125-VF for flush door and frame conditions



125-VF

Spacer 63-0191

- 1/2" x 5/8"
- Included standard with PS, PSH, PH10, P-10 CPS and CPSH arm for use with rabbited frames



Regular Duty Parallel Accessories

125-P3 Arm Conversion Unit

- Converts O or P9 arm to P3 Parallel arm



125-P3 Arm Conversion Unit

- Converts O or P9 arm to P3 Parallel arm



125-P3A Arm Conversion Unit

- Converts O or P9 arm to P3A Parallel arm



125-PH9 Parallel Arm Foot

- Converts standard hold open (H) arm to PH9 Parallel Hold Open Arm



125-P4 Conversion Unit

- Converts O or P9 arm to P4A arm



125-P4A Arm Conversion Unit

- Converts O or P9 arm to P4A arm



581-1 Blade Stop Spacer Kit



- For frames with 1/2" blade stops
- For use with P9, PH9 and PF9 arms only
- Packed with 1-1/4" long screws

Miscellaneous Accessories

281-J Cover Plate

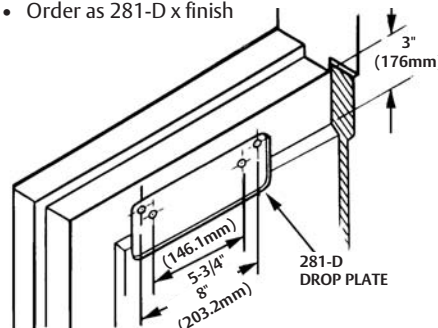


- Can be used to improve appearance when narrow door rail permits closer to be viewed through glass panel
- Use 281-J-2 plate when retrofitting 250/251 Series door closer

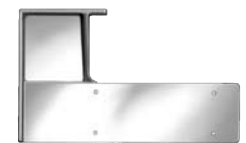
281-D Drop Plate



- Required for parallel arm applications when top rails are less than 5 3/4"
- Requires 3" (76mm) minimum top rail
- Available with powder coat or plated finish to match closer
- Non-handed – Plate mounting screws included
- Order as 281-D x finish



281-W Corner Bracket



- Fastens securely to both the head and jamb
- Malleable iron, painted to match closer finish
- Non-handed
- Requires 1-1/4" (32mm) minimum wide stop
- Order as 281-W x finish

Covers

- Available in plastic (standard), ABS, Metal, or Lead Lined
- Lead Lined covers are available as a special. Consult factory for pricing

Track Type Applications

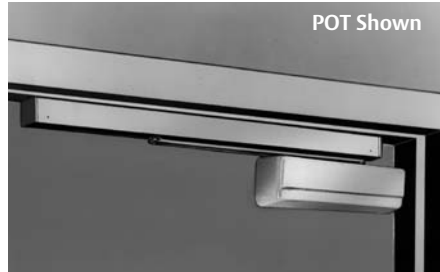
281 Series Powerglide®

SARGENT
ASSA ABLOY

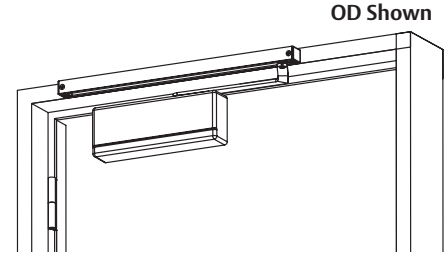
Pull Side Mounting (Hinge Side)



Push Side Mounting (Stop Side)



Double Egress Frame Mounting (Stop Side Deep Reveal)



281 Track Type Application offers a number of options such as built in bumpers and holders. Along with its clean appearance, it is a favorite for many interior designers. It has the versatility of being mounted on either side of a door for the clean unobstructed appearance without the cost of concealed closers and tracks.

OT Track Arm

- Track mounts on frame face "OT"
- Minimum top rail required without mounting plate: 2-3/8"

Note: Based on the application; verify door & frame requirements using the appropriate template

Maximum Door Opening

- 160° with standard track
- 120° with optional bumper track
- 180° with ideal conditions for standard track

Hold Open Range

- 85° – 120°

POT Track Arm

- Track mounts on frame stop "POT"
- Minimum top rail required without drop plate: 4-3/4" (121mm)
- With 281D Drop Plate 3" (76mm)

Maximum Door Opening

- 100° with standard track
- 95° with optional bumper track

Hold Open Range

- 85° – 95°

Minimum Soffit Required

- 1-9/16" (40mm) wide

OD Double Egress Track Arm

- Forged steel arm
- Handed
- Special frame profile required
- For use with 3" – 4" reveals
- Non standard frame required

Maximum Door Opening

- 160° with standard track
- 120° with optional bumper track

Hold Open Range

- 85° – 120°

Track

- Extruded aluminum track
- End caps finished to match track

Arm

- Forged steel
- Bearing roller

Bumper (Optional)

- Mounts in track to assist backcheck
- Not designed to be used as a stop
- Auxiliary stop is required
- Available for both regular or hold open tracks

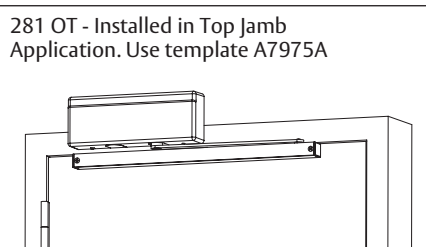
Holder (Optional)

- Mounts within the track
- Adjustable latch tension and position

Finishes

- EAB, EB, ED, EN, EP powder coat on all exposed surfaces

Consult factory if door weight exceeds 250 lbs.



Arm & Track	Description/Options
281—OT	Pull
281—OTB	Pull with Bumper
281—HT	Pull with Holder
281—HTB	Pull with Holder and Bumper
281—OD	Pull Double Egress (Handed) (Non-standard frame required)
281—ODB	Pull Double Egress with Bumper (Handed) (Non-standard frame required)
281—HD	Pull Double Egress with Holder (Handed) (Non-standard frame required)
281—HDB	Pull Double Egress with Holder and Bumper (Handed) (Non-standard frame required)
281—POT	Push
281—POTB	Push with Bumper
281—PHT	Push with Holder
281—PHTB	Push with Holder and Bumper

Note: Two mounting applications are available

Copyright © 2005-2021, SARGENT Manufacturing Company. All rights reserved. Reproduction in whole or in part without the express written permission of SARGENT Manufacturing Company is prohibited. Patent pending and/or patent www.assaabloydss.com/patents.

90119 05/21

Standard and Parallel Arm Security Solutions

281 Series Powerglide®

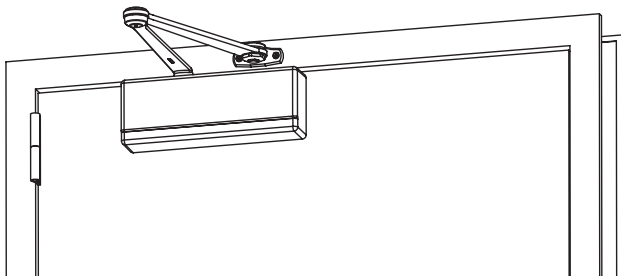
SARGENT
ASSA ABLOY

With its heavy duty cast iron construction, the 281 door closer is an ideal choice when selecting a closer for detention or security applications. While no surface mount door closer is impervious to all situations, the forged steel arms, metal cover and security screws give the 281 line of security closers a high tolerance for extreme abuse.

Standard Heavy Duty Security Applications

When the strongest closing forces are required in rough environments, the SARGENT SSO arm is the best choice.

SSO - Standard Heavy Duty (Pull Side)



O10 Heavy Duty Standard Arm

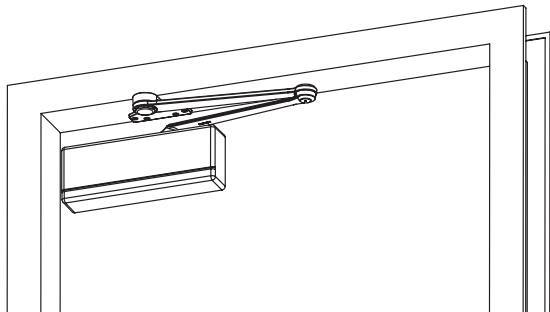
SSO Features:

- Metal cover (handed) with tamper proof security screws
- Factory assembled arm to prevent tampering
- Heavy duty forged steel arms that will endure abuse
- Oil bronze bearings in arms for superior wear resistance
- Non-handed arms and closer – only the cover is handed
- Permits 180° opening with alternate mounting if adjacent frame does not interfere with cover
- All exposed fasteners are Security Torx machine screws

Parallel Arm Security Application

The SARGENT parallel application security arm provides increased resistance to abuse with a similar range of closing forces as the SSO.

SSP - Heavy Duty (Push Side)



P10 Heavy Duty Parallel Arm

SSP Features:

- Metal cover (handed) with tamper resistant security screws
- Factory assembled arm to prevent tampering
- Heavy duty forged arms that will endure abuse
- Non-handed arm and closer – only the cover is handed
- Oil bronze bearings in arms for superior wear resistance
- Permits 180° opening with alternate mounting if adjacent wall and frame do not interfere with cover
- All exposed fasteners are Security Torx machine screws

Security Track Arm Applications

With the arm tucked tightly between the top of the closer and the bottom of the track, SARGENT track type security closers provide the greatest resistance to abuse of any surface mount closer. Push and pull side applications are available.

General Features

- Forged steel arm with integrated roller
- Tamper proof security torx machine screws are provided for all exposed fasteners
- Metal cover (handed)
- Track is mounted to frame with four screws
- Track design ejects foreign objects from within track

SSPT - Pull Side Mounting (Hinge Side)



SSPT Features

- Security track with adapter bar mounted on pull side
- Track mounts to the frame face; minimum width 2-3/8"
- Maximum door opening 160°

Note: Based on the application; verify door & frame requirements using the appropriate template

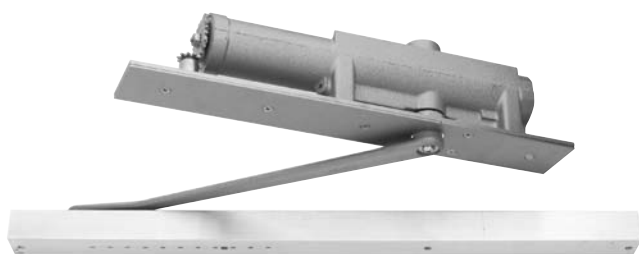
PSSPT - Push Side Mounting (Stop Side)



PSSPT Features

- Security track mounts on stop for push side
- Track mounts on frame stop; Minimum stop required 1-11/16"
- Maximum door opening 100°

Note: Based on the application; verify door & frame requirements using the appropriate template



268 Concealed Security Closers

For the highest degree of security and resistance to abuse, select a SARGENT 268/269 concealed door closer. See our Concealed Door Closer Catalog

Consult factory if door weight exceeds 250 lbs.

Overhead Stop/Holder Compatibility

281 Series Powerglide®

When a floor or wall stop cannot be used, the highest level of door control is provided through the use of a SARGENT door closer and a SARGENT overhead stop or holder. While door closer arms are available with stop and holder options, they are limited in their ability to withstand extreme abuse. Overhead stops absorb abusive loads using a heavy compression spring that distributes the load to the frame. SARGENT overhead stops and holders are designed for years of abuse and come with a 5 year warranty.

Frequently Used Overhead Stops used with the 281 Series

• Standard Door Closer Applications (PULL SIDE MOUNT) Not Shown

- 590 Series Holder/Stop with 281-O
- 690 Series Holder/Stop with 281-O
- 1530 Series Holder/Stop with 281-O
- 1540 Series Holder/Stop with 281-O

• Parallel Arm Door Closer Applications (PUSH SIDE MOUNT)

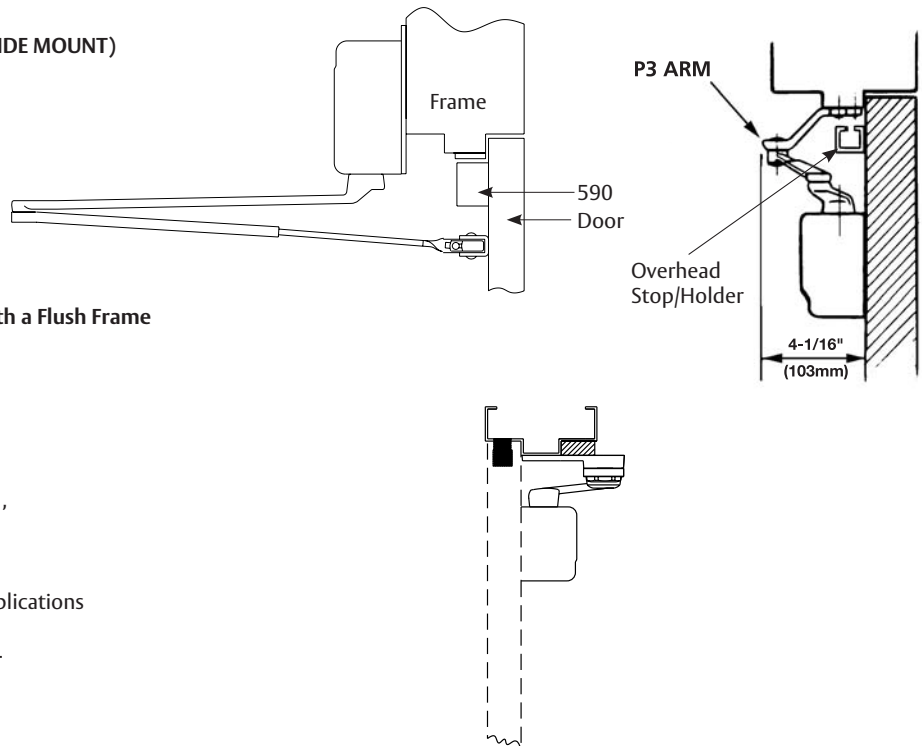
- 590 Series Holder/Stop with 281-P3
- 590 Series Holder/Stop with 281-PD10
- 690 Series Holder/Stop with 281-P9
- 690 Series Holder/Stop with 281-P10
- 1530 Series Holder/Stop with 281-P9
- 1530 Series Holder/Stop with 281-P10
- 1540 Series Holder/Stop with 281-P3
- 1540 Series Holder/Stop with 281-PD10

• Parallel Arm Door Closer Applications Used with a Flush Frame

- 590 Series Holder/Stop with 281-P4
- 690 Series Holder/Stop with 281-P4
- 1530 Series Holder/Stop with 281-P4
- 1540 Series Holder/Stop with 281-P4

• Inverted Top Jamb Applications

- 590, 690, 1530, 1540 Series with either 281, 351, 1430 Series and "O" OZ, OZA Arm



Note: This chart is only a quick reference. Some applications may require the use of a 145 or 195 angle bracket

For applications not shown, refer to the SARGENT Overhead Holders & Stop catalog

Special Conditions

The SARGENT Website (www.sargentlock.com) contains templates for all common applications of SARGENT Door Closers with SARGENT overhead door holders. To insure a satisfactory installation for other holders, it is recommended that complete details be submitted as follows:

- Type, size and make of holder
- Holding position (maximum door opening)
- Submit holder template being used
- Closer application being used
- Size and type of hinge

In the case of unusual door, frame and hinge conditions where regular products do not meet requirements, submit drawings and complete details specifying the degree of door openings required, the type and size of hinge and the maximum door opening angle.

Through Bolts and Mortise Nuts

- When through-bolting is ordered, factory will furnish mortise nuts for use with the machine screws furnished with the closer
- Nuts are sized to accommodate 1-3/4" (44mm) standard or 1-3/8" (35mm) thick doors when specified on order
- For 2-1/4" (57mm) thick doors, through-bolts will be furnished with mortise nuts
- A bridge type reinforcement is required to prevent collapse of top rails when through-bolts are tightened (required on hollow metal doors)

How to Order and Options

281 Series Powerglide®

Packing

- Closer assemblies are packaged 2 per carton - total weight 20lbs

How to Order

Options	Series	Closer Arm	Finish	Hand
CPC-DA	281-	P4H	26	LH
31- 36- 74- ABC- CPC- DA- MC- SG- SRI- TB- EC-	281	Standard Page 7 Top Jamb Page 9 Parallel Pages 11 & 12 Track Type Page 14	EB ED EN EP EAB 03* 04* 09* 10* 10B* 10BE 10BL* 14* 15* 20D* 26* 26D* BSP WSP	LH RH

* These finishes are automatically provided with a metal cover

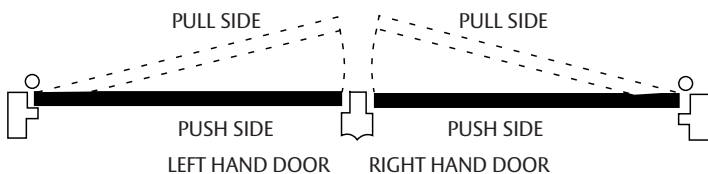
NOTE:

- Door closer warranty becomes void if the closer is installed on the exterior side of a door in the exterior wall of a building.
- It is strongly recommended, and may be required on fire door assemblies, that doors having a door closer be hung on ball-bearing or anti-friction hinges or pivots. Consult local authority having jurisdiction.
- Failure to use fasteners supplied with closer may void factory warranty.
- Fasteners for fire/smoke door assemblies must conform to NFPA 80. In some applications additional fasteners may be mandated by NFPA 80 that are not shipped with standard SARGENT product, such as sleeve-nuts/sex-nuts or thru bolts and grommet nuts.
- Information provided is based on 1-3/4" (44mm) x 7' (2.13m) standard weight doors swinging to 110°. Other conditions (such as door height or weight; or wind/draft conditions) may require adjustment of spring setting, selection of a larger size closer or different closer.

How To Order Accessories

		Example
Arm only	Specify: 25- arm required x finish	25-PSH EN x hand
Closer Body only	Specify: CB-281 (Options DA & ABC available)	CB-281
Arm Conversion Units	Specify: Unit x finish	125-P4 x EB
Cover (Standard plastic)	Specify: 281-C x finish	281-C x EB
Cover (ABS)	Specify: 281-CEC x finish	281-CEC x EP
Accessories	Specify: accessory x finish See applicable catalog section	281-D EB

Note: When complete closer assembly is ordered with an accessory, order accessory as a separate item



Options Available

Specify	Detailed Description
31-	For doors 1-7/8" – 2-1/4" thick, specify door thickness, doors over 2-1/4" thick contact factory
36-	Security Torx Screws
74-	Lead lined cover
ABC-	Advanced Back Check
CPC-	Clear Powder Coat (available on 26 & 26D)
DA-	Delayed Action
EC-	ABS Cover
MC	Handed Metal Cover
SRI-	Special Rust Inhibitor finish for powder coated finishes (closer body only)
TB-	Through Bolt (1-3/4" Std) For others, specify TB- & door thickness

Note:

- The MC- option is used when a metal cover is desired on a powder coated finish
- When MC- is added to a plated finish, the MC- option indicates that only the cover is to be plated, the arms will be powder coated to match
- Do not specify the MC- option if both the cover and arms are to be plated

Special Rust Inhibitor Process (SRI)

Additional process provides an extra layer of protection for extreme corrosive environments. Available with powder coated finishes only, specify SRI- as an option when ordering.

Finishes

Finishes	ANSI/BHMA	Description
EB	695	Bronze powder coated to match finish 10B
EN	689	Aluminum powder coated
ED	693	Black powder coated to match finish 20D
EAB	696	Brass powder coated
EP	691	Bronze powder coated to match finish 10
03	605	Bright brass, clear coated
04	606	Satin brass, clear coated
09	611	Bright bronze, clear coated
10	612	Satin bronze, clear coated
10B	613	Dark oxidized satin bronze, oil rubbed
10BE	613E	Dark oxidized satin bronze – equivalent
10BL	614	Oxidized satin, bronze, clear coated
14	618	Bright nickel plated, clear coated
15	619	Satin nickel, clear coated
20D	624	Statuary dark bronze, clear coated
26	625	Bright chromium plated
26D	626	Satin chromium plated
BSP	—	Black Suede Powder Coat
WSP	—	White Suede Powder Coat

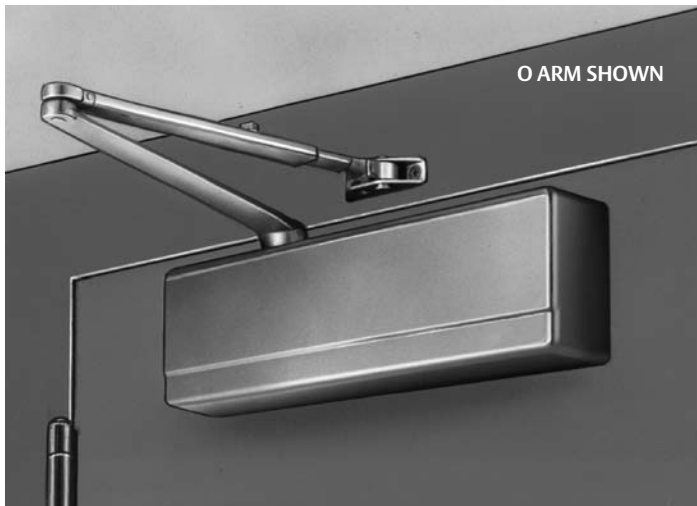
351 Series

Powerglide® Door Closer



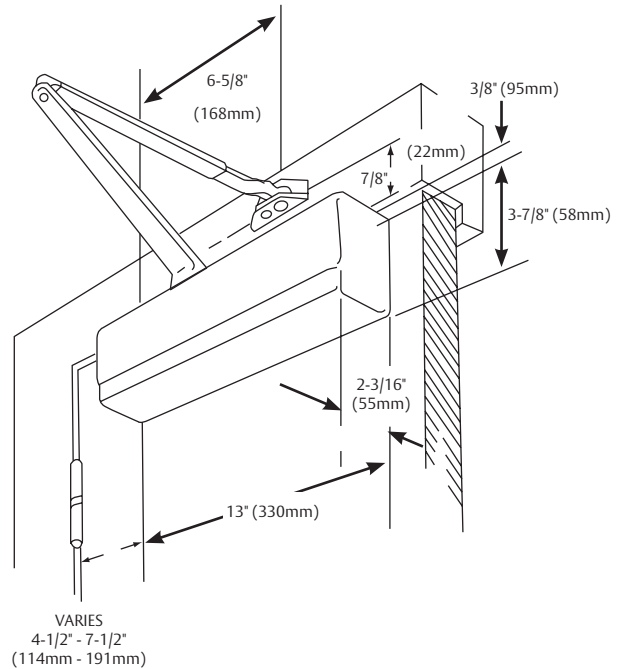
Standard Applications

351 Series Powerglide®



The standard application of the 351 door closer is the most common and the most desirable. The closer mounts on the hinge (pull) side of door (except when the W Corner Bracket is used). **Note:** This application is not recommended on exterior doors (the closer is not protected from weather). The cover projection normally limits the door opening to a maximum of 160°.

351-0 Standard Application



Copyright © 2005-2021, SARGENT Manufacturing Company. All rights reserved. Reproduction in whole or in part without the express written permission of SARGENT Manufacturing Company is prohibited. Patent pending and/or patent www.assaabloydss.com/patents.

351 Standard Application for:

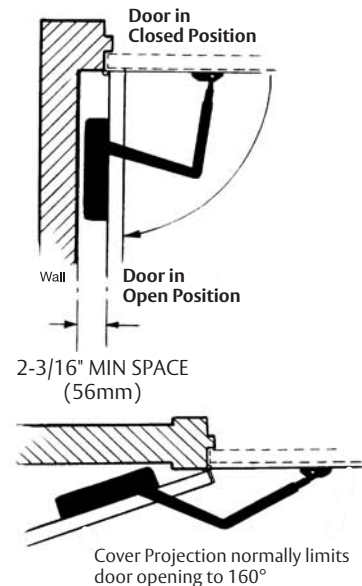
- Interior Doors Opening In or Out
- Exterior Doors Opening In
- Maximum Reveal 7/16"
- Non-hand universal body

351 Standard Application Door Opening Range

(Range based on Mounting Position)

- O- Standard Arm: 120° – 180°
- H- Hold Open Arm: 90° – 160°

Wall Clearance Requirement

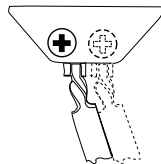


Adjustable Closing Force

- Interior doors to 5'0" wide
- Exterior doors to 4'0" wide
- Shipped factory preset for 3'0" door
- Factory pre-sized upon request

Arm Leverage Adjustment

Closers using "O" arms have the provision to increase closing power by 15% by adjusting foot pivot



Consult factory if door weight exceeds 250 lbs.

Arms and Accessories for Standard Applications

351 Series Powerglide®

SARGENT
ASSA ABLOY

O - Standard Arm

- Forged Steel Main Arm
- Non-handed
- Permits 120° door opening with standard mounting
- Permits 180° door opening with alternate mounting or corner bracket
- Can be used with the 351L retrofit plate when replacing a LCN 4040 closer



Order as 25-O x finish for arm only
Includes: 63-2607 - Main arm
63-2216 - Foot assembly
63-3684 - Screw pack

H - Hold Open Arm

- Forged Steel Main Arm
- Non-handed
- Hand is changed by inverting the foot assembly
- Friction type holder easily adjusted by a wrench
- Permits 180° door opening
- Holds open from 80° – 180°



Order as 25-H x finish for arm only
Includes: 63-3070 - Main arm
61-2303 - Foot assembly
63-3684 - Screw pack

O8 - Mortise Foot Arm

- Forged Steel Main Arm
 - Non-handed
 - Permits 120° door opening
 - Commonly used with bull nose frames
- Order as 25-O8 x finish for arm only
Includes: 63-2607 - Main arm and link assembly
63-2273 - Foot assembly
63-2391 & 63-3684 - Screw packs



H8 - Mortise Foot Hold Open Arm

- Forged Steel Main Arm
- Handed same as door
- Friction type holder easily adjusted by a wrench
- Holds open from 80° – 180°



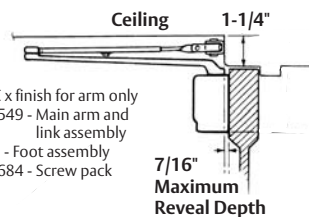
Order 25 R-H8 for right hand and 25 L-H8 for left hand x finish for arm only
Includes: 63-2289 - Left hand foot assembly
63-2290 - Right hand foot assembly
63-3070 - Main Arm and Link Assembly
63-2391 & 63-3684 - Screw packs

OLC - Standard Arm for Low Ceiling

- Forged Steel Main Arm
- Non-handed
- 1-1/4" between the top of door to ceiling is required for OLC Arm
- Permits 120° door opening with standard mounting



Order as 25-OLC x finish for arm only
Includes: 63-2549 - Main arm and link assembly
2216 - Foot assembly
63-3684 - Screw pack



UH Package

- Universal hold open arm package provides brackets and arms to install closer in top jamb, standard or parallel applications
- Order closer as 351-UH x finish
- 351-UH not available with (MC) metal cover or plated finishes



Screw packs
63-3684

125-PH9



UO Package

- Universal arm package provides brackets and arms to install closer in standard top jamb or parallel applications
- Order closer as 351-UO x finish
- 351-UO not available with (MC) metal cover or plated finishes

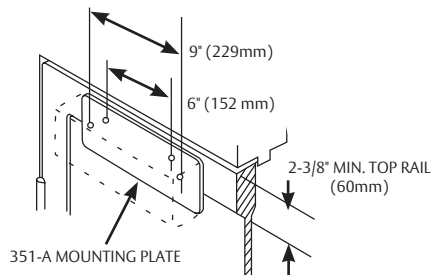


Screw packs
63-3684 &
63-2391



351-A Mounting Plate

Allows the mounting of a 351 Closer onto a door with a minimum top rail of 2-3/8"
Order as: 351-A x finish



351- LCN Retrofit Plate

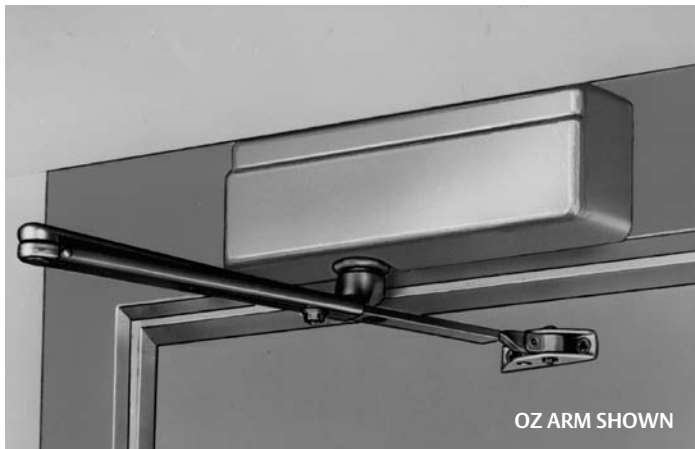
Allows an LCN 4040 closer body to be replaced with a SARGENT 351 with an O Arm without drilling new holes in door (NOTE: New holes required for arm bracket only)
Order as: 351L x finish



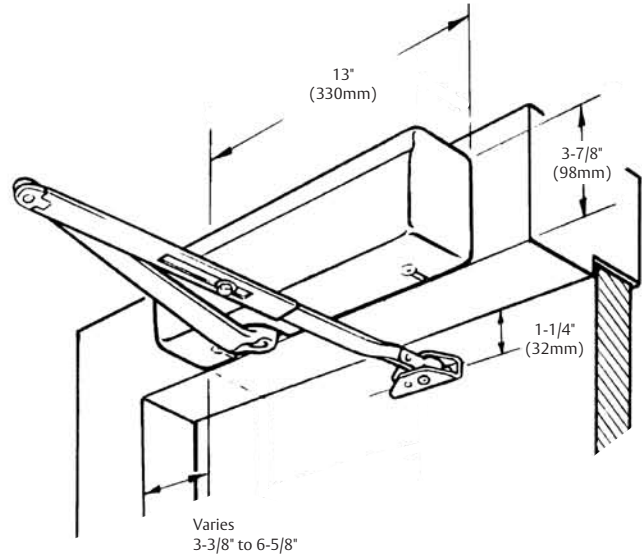
Top Jamb Applications

351 Series Powerglide®

SARGENT
ASSA ABLOY



351-0 Top Jamb Mounting Position



Top Jamb applications - The 351 closer is mounted on the frame face above the door. The foot is mounted on the push side of door. This application is for use on exterior doors opening out to protect the closer from the weather.

Minimum Frame Face Required

- 3-7/8" minimum required for 351 Top Jamb applications for both single and double rabbeted frames

Minimum Door Top Rail Required to Mount Closer Foot

- 2" (51mm) minimum
- Rail height used will vary depending on type and make of auxiliary holder

Adjustable Closing Force

- Interior doors to 5'0" wide
- Exterior doors to 4'0" wide
- Shipped factory preset for 3'0" door
- Factory pre-sized upon request

351 Typical Reveal Top Jamb Applications

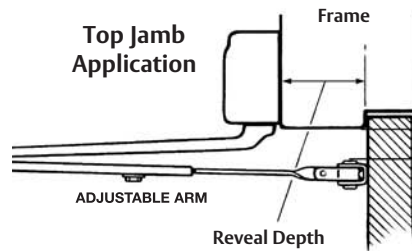
For reveals up to 2" (51mm) maximum

- O Arm - Max. Door Opening: 180°
- H Arm - Hold Open Range: 80° – 180°

351 Extra Deep Reveal Top Jamb Applications

For reveals from 5-1/8" (130mm) to 8" (230mm)

- OZA Arm - Max. Door Opening: 140°
- HZA Arm - Hold Open Range: 80° – 130°



351 Deep Reveal Top Jamb Applications

For reveals from 2-1/8" (54mm) to 5" (127mm)

- OZ Arm - Max. Door Opening: 140°
- HZ Arm - Hold Open Range: 80° – 140°

351-A & 351-B Mounting Plates

These Mounting Plates permits closers to be mounted for special applications when overhead auxiliary door holders are used or in low ceiling applications for both single and double rabbeted frames.

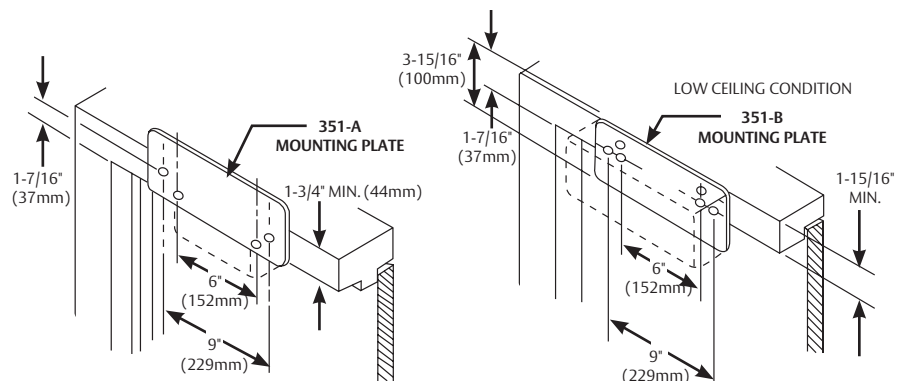
351-A Mounting Plate

The 351-A allows top jamb mounting of a 351 with a 1-3/4" minimum frame clearance.

351-B Mounting Plate

The 351-B for low ceiling applications allows top jamb mounting of a 351 with a minimum 1-15/16" frame.

- Plates are painted or plated steel to match closer
- Plates are non-handed
- Order as 351-A x finish or 351-B x finish



Consult factory if door weight exceeds 250 lbs.

Copyright © 2005-2021, SARGENT Manufacturing Company. All rights reserved. Reproduction in whole or in part without the express written permission of SARGENT Manufacturing Company is prohibited. Patent pending and/or patent www.assaabloyds.com/patents.

90120 09/21

Arms for Top Jamb Applications

351 Series Powerglide®

Narrow Reveal

O - Standard Arm

- Forged Steel Main Arm
- For reveals up to 2" (51mm)
- Non-handed
- Permits 180° door opening

Order as 25-O x finish for arm only
Includes: 63-2607 - Main arm assembly
63-2216 - Foot assembly
63-3684 - Screw pack



H - Hold Open Arm

- Forged Steel Main Arm
- For reveals up to 2" (51mm)
- Adjustable friction holder
- Non-handed
- Permits 180° door opening

Order as 25-H x finish for arm only
Includes: 63-3070 - Main arm assembly
61-2303 - Foot assembly
63-3684 - Screw pack



Deep Reveal Arms

OZ - Standard Arm for Deep Reveals

- Forged Steel Main Arm
- For reveals from 2-1/8" (54mm) to 5" (127mm)
- Non-handed
- Permits 140° door opening

Order as 25-OZ x finish for arm only
Includes: 63-2607 - Main arm assembly
63-2217 - Foot assembly
63-3684 - Screw pack



HZ - Hold Open Arm for Deep Reveals

- Forged Steel Main Arm
- For reveals from 2-1/8" (54mm) to 5" (127mm)
- Adjustable friction holder
- Non-handed
- Permits 140° door opening

Order as 25-HZ x finish for arm only
Includes: 63-2230 - Main arm assembly
61-2303 - Foot assembly
63-3684 - Screw pack



Extra Deep Reveal Arms

OZA - Standard Arm for Extra Deep Reveal

- Forged Steel Main Arm
- For reveals 5-1/8" (130mm) to 8" (203mm)
- Non-handed
- Permits 140° door opening

Order as 25-OZA x finish for arm only
Includes: 63-2607 - Main arm assembly
63-2218 - Foot assembly
63-3684 - Screw pack



HZA - Hold Open Arm for Extra Deep Reveal

- Forged Steel Main Arm
- For reveals 5-1/8" (130mm) to 8" (203mm)
- Adjustable friction holder
- Non-handed
- Permits 140° door opening

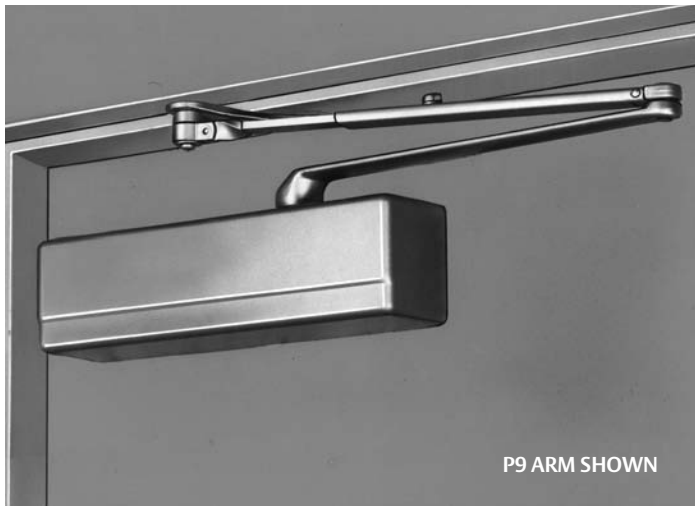
Order as 25-HZA x finish for arm only
Includes: 63-2231 - Main arm assembly
61-2303 - Foot assembly
63-3684 - Screw pack



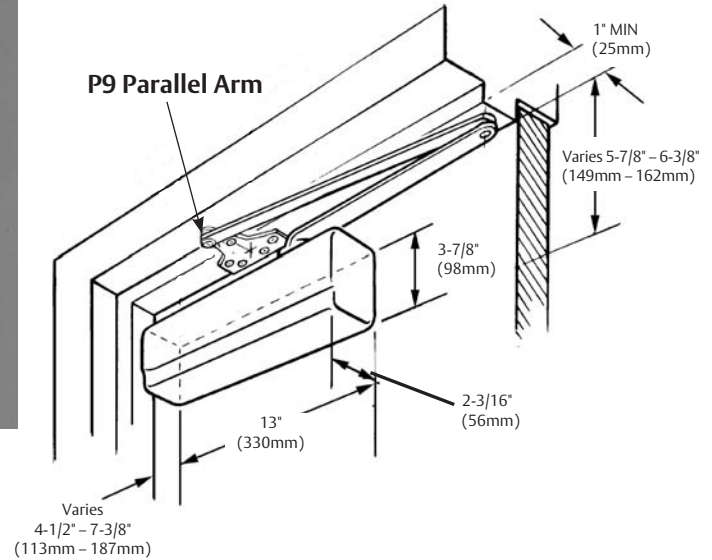
Parallel Arm Applications

351 Series Powerglide®

SARGENT
ASSA ABLOY



351-P9 Regular Duty Parallel Arm



Parallel Arm Applications - The 351 closer is mounted on the push side of the door. As the door opens, the closer swings with the door and gives full headroom in the door opening. Other advantages: the closer arm does not project into the room; the frame can be quite narrow and the door can be swung open much farther than in Top Jamb Applications.

Heavy Duty Parallel Arms

For use in high traffic and abusive environments

- Forged steel arm and cast iron foot bracket for strength and durability
- Oiled bronze bearings for superior wear resistance
- 2 piece rigid arms for ease of installation
- Friction and positive hold open arms available
- Use friction hold open arms for doors subject to moderate hold open use
- Dead stop and compression stop arms available
- Security non-hold open arms available

Non hold-open arms

- Two mounting positions for 120° and 180° maximum door openings

Stop arms

- 6 mounting positions with PS or CPS arms to allow stop from 85°-110°

Regular Duty Parallel Arms

Available Arms for institutional installations:

- Regular duty parallel arms
- Offset bracket arms for use with Auxiliary Holders & Stops
- Parallel flush frame arms
- Flush frame arms for use with Auxiliary Holders & Stops
- Flush frame, friction Hold Open Arms

NON HOLD OPEN ARMS

- Two mounting positions for 120° and 180° maximum door opening

HOLD OPEN ARMS

- Friction hold open arms available for doors subject to moderate hold open use
- 6 mounting positions to hold open from 85° - 110° with PSH or CPSH arms

Consult factory if door weight exceeds 250 lbs.

Heavy Duty Parallel Arms

351 Series Powerglide®

P10 - Heavy Duty Parallel Arm



- Forged Steel Constructions
- Non-Handed
- Easily installed
- Permits 120° opening at standard mounting
- Permits 180° opening at alternate mounting
- Can be used with the 351L retrofit plate when replacing a LCN 4040 closer

Order as 25-P10 x finish for arm only
25-P10 Includes: 63-0641 - Main arm
63-3727 - P10 foot assembly
63-3684 & 63-2392 - Screw packs

PS - Heavy Duty Parallel Arm with Positive Stop



- Forged Steel Constructions
- Handed arm is field-reversible
- Provides built in stop from 85° – 110°
- Permits 110° opening maximum
- Easily installed
- Permits 85° – 110° door opening

Order as 25-PS x finish for arm only
Includes: 63-0641 - Main arm
63-3837 - PS foot assembly
63-3684 & 63-2398 - Screw packs

CPS - Heavy Duty Parallel Arm with Compression Stop



- Forged Steel Constructions
- Provides built in compression stop from 85° – 105°
- Permits 105° opening maximum
- Easily installed
- Handed arm is field-reversible
- Dead stop within 3°

Order as 25-CPS x finish for arm only
Includes: 63-0641 - Main arm
63-3830 - CPS foot assembly
63-0516 - Bumper holder
63-3493 - Bumper
63-3684 & 63-2398 - Screw packs

SP10 Heavy Duty Security Arm



- Same as P10, except factory assembled at arm joint (elbow) to prevent disassembly in SSP package along with metal cover

PH10 - Heavy Duty Friction Hold Open Parallel Arm



- Forged Steel Constructions
- Adjustable hold open from 75° – 180°
- Forged steel arm 11-1/4" (286mm) long
- Handed same as door
- Use friction hold open arms for doors subject to moderate hold open use

Order as 25-PH10 x finish for arm only
25-PH10 Includes: 63-0641 - Main arm
63-3839 - Left hand PH10 foot assembly
63-3840 - Right hand PH10 foot assembly
63-3684 & 63-2392 - Screw packs

PSH - Heavy Duty Parallel Hold Open Arm with Positive Stop



- Forged Steel Constructions
- Provides holder and stop features
- Handed arm is field-reversible
- Easily installed/adjusted
- Permits 85° – 110° door opening

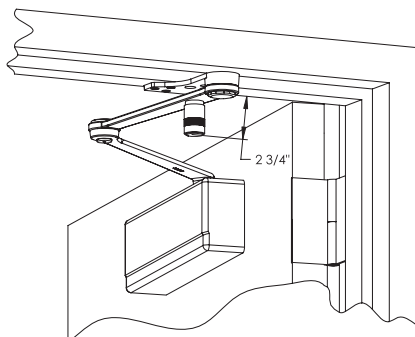
Order as 25-PSH x finish for arm only
Includes: 63-0641 - Main arm
63-3833 - PSH foot assembly
63-3684, 63-2392 & 63-2398 - Screw packs

CPSH - Heavy Duty Hold Open Parallel Arm with Compression Stop



- Forged Steel Constructions
- Handed arm is field-reversible
- Provides built in compression stop and holder mechanism from 85° – 105°
- Easily installed/adjusted
- Permits 105° opening maximum
- Dead stop within 3°

Order as 25-CPSH x finish for arm only
Includes: 63-0641 - Main arm
63-3836 - CPSH foot assembly
63-0516 - Bumper holder
63-3493 - Bumper
63-3684, 63-2392 & 63-3487 - Screw packs



The PSH and CPSH arms project 2-3/4" below the head stop

Positive Stop Hold Open Arms (PSH & CPSH ARMS)

- Use on doors subject to repetitive hold open use
- 6 hold open positions from 85° – 110° determined by mounting position
- Hold open function may be disengaged
- Hold open tension is easily adjustable

Regular Duty Parallel Arms

351 Series Powerglide®

SARGENT
ASSA ABLOY


Standard Arms

P9 - Standard Parallel Arm


- Forged Steel Main Arm 
 - Non-handed
 - Can be used with the 351L retrofit plate when replacing a LCN 4040 closer
- Order as 25-P9 x finish for arm only
Includes: 63-2607 - Main arm
63-3405 - Foot assembly
63-3684 & 63-2391 - Screw packs

Regular Duty Hold Open Arms

PH9 - Friction Hold Open Arm


- Forged Steel Main Arm 
 - Holds open from 75° – 180°
 - Easily adjusted by wrench
 - Non-handed
- Order as 25-PH9 x finish for arm only
Includes: 63-3070 - Main arm
61-2303 - Foot assembly
64-0039 - Foot bracket (125 PH9)
63-3684 & 63-2391 - Screw packs

PH4 - Flush Frame, Friction Hold Open Arm


- Forged Steel Main Arm 
 - Holds open from 75° – 180°
 - Easily adjusted by wrench
 - Non-handed
 - Use on frames where stop or soffit is too narrow to mount the standard hold open foot bracket
- Order as 25-PH4 x finish for arm only
Includes: 63-3070 - Main arm
61-2303 - Foot assembly
64-0050 - Foot bracket
63-3684 & 63-2391 - Screw packs

Offset Brackets for use with overhead stops, holders and door coordinators


P3 - 1" Offset Bracket for use with Auxiliary Holder/Stop

- Forged Steel Main Arm 
 - For use with auxiliary surface overhead stops and holders
 - Foot bracket is offset 1" more than P-9, allowing door closer to be lowered on door face
 - Non-handed
- Order as 25-P3 x finish for arm only
Includes: 63-2607 - Main arm
63-2270 - Foot assembly
63-3684 & 63-2391 - Screw packs


P3A - 1-3/4" Offset Bracket for use with Auxiliary Holder/Stop

- Forged Steel Main Arm 
 - For use with auxiliary surface overhead stops and holders and door coordinators
 - Foot bracket lowers door closer an additional 3/4" below P3 bracket
 - Non-handed
- Order as 25-P3A x finish for arm only
Includes: 63-2607 - Main arm
63-2274 - Foot assembly
63-3684 & 63-2391 - Screw packs

P4 - Parallel Flush Frame Arm

- Forged Steel Main Arm 
 - Foot bracket is attached to frame or transom face
 - For use where stop or soffit is too narrow for the standard P9
 - Permits 120° opening with standard mounting
 - Permits 180° opening with alternate mounting
 - Non-handed
- Order as 25-P4 x finish for arm only
Includes: 63-2607 - Main arm
63-2295 - Foot assembly
63-3684 & 63-2391 - Screw pack

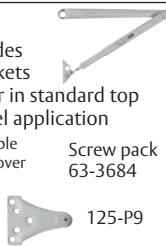
P4A - Flush Frame Arm for use with Auxiliary Holder/Stop

- Forged Steel Main Arm 
 - For use with auxiliary surface overhead stops and holders
 - Foot bracket is attached to frame or transom face
 - Foot bracket lowers door closer an additional 3/4" below P4 bracket
 - Non-handed
- Order as 25-P4A x finish for arm only
Includes: 63-2607 - Main arm
63-2272 - Foot assembly
63-3684 & 63-2391 - Screw packs

Tri-Packs

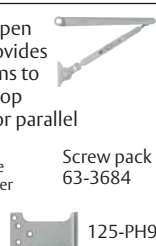
UO Package

- Universal arm package provides arms and brackets to install closer in standard top jamb or parallel application
- 351-UO not available with (MC) metal cover or plated finishes



UH Package

- Universal hold open arm package provides brackets and arms to install closer in top jamb, standard or parallel applications
- 351-UH not available with (MC) metal cover or plated finishes



Copyright © 2005-2021, SARGENT Manufacturing Company. All rights reserved. Reproduction in whole or in part without the express written permission of SARGENT Manufacturing Company is prohibited. Patent pending and/or patent www.assaabloyds.com/patents.

90120 09/21

12

1-800-727-5477 • www.sargentlock.com

Experience a safer and more open world

Accessories for Parallel Applications

351 Series Powerglide®

SARGENT
ASSA ABLOY

Heavy Duty Parallel Arm Accessories

581-2 Blade Stop Spacer Kit



- For frames with 1/2" blade stops
 - For use with P10, PH10, PS, PSH, CPS and CPSH arms
 - 125-V bracket included
 - Packed with 1-1/4" long screws
- Use P/N 63-0756 to order blade stop only

125-V/125-VF Brackets



125-V

- For use with all heavy duty parallel arms
- Use 125-V for narrow stop and frame conditions
- Use 125-VF for flush door and frame conditions



125-VF

Spacer 63-0191

- 1/2" x 5/8"
- Included standard with PS, PSH, PH10, P-10 CPS and CPSH arm for use with rabbited frames



Regular Duty Parallel Arm Accessories

125-P3 Arm Conversion Unit

- Converts O or P9 arm to P3 Parallel Arm



125-P3A Arm Conversion Unit

- Converts O or P9 Arm to P3A Parallel Arm



125-PH9 Parallel Arm Foot

- Converts standard hold open (H) arm to PH9 Parallel Hold Open Arm



125-P4 Conversion Unit

- Converts O or P9 Arm to P4A Arm



125-P4A Arm Conversion Unit

- Converts O or P9 arm to P4A Arm



581-1 Blade Stop Spacer Kit

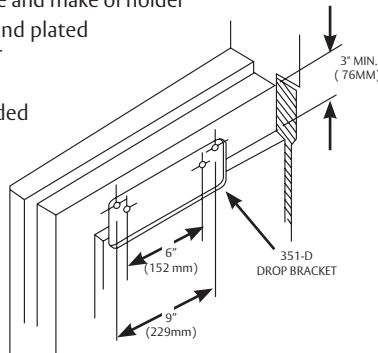
- For frames with 1/2" blade stops
- For use with P9, PH9 and PF9 arms only
- Packed with 1-1/4" long screws



Regular Duty Parallel Arm Accessories

351-D Drop Plate

- Permits mounting parallel arm 351 Series Closer applications on doors with narrow top rails
- Requires 3" (76mm) minimum top rail
- For closers used with overhead stops and holders, top rail requirements will vary depending upon type and make of holder
- Available with powder coat and plated finishes to match door closer
- Plates are not handed
- Plate mounting screws included
- Order as 351-D x finish



351L - LCN RETROFIT Plate

The 351L allows replacement of LCN 4040 closer body with a SARGENT 351 without drilling new holes in door (**Note:** New mounting holes required for arm bracket only)

- 351L Retrofit Plate:
 - Can be used with these parallel arms
 - P9 – Regular Duty Parallel Arm
 - P10 – Heavy Duty Parallel Arm
- Plates are non-handed
- Available in powder coat and plated finishes
- Order as: 351L x finish



Track Type Applications

351 Series Powerglide®

SARGENT
ASSA ABLOY

Pull Side Mounting (Hinge Side)



The closer is for use on interior doors opening in or out. As the door opens, the closer swings with the door. This affords a variable hold-open feature option.

Pull Side Track Application

Arm & Track	Description
OT	Pull Standard pull side
OTB	Pull Track with bumper
HT	Pull Holder
HTB	Pull Holder with bumper

Push Side Mounting (Stop Side)

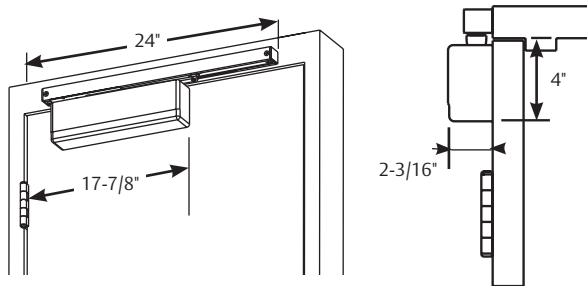


The closer is for use on interior doors opening in or out. As the door opens, the closer swings with the door. This affords a variable hold-open feature option.

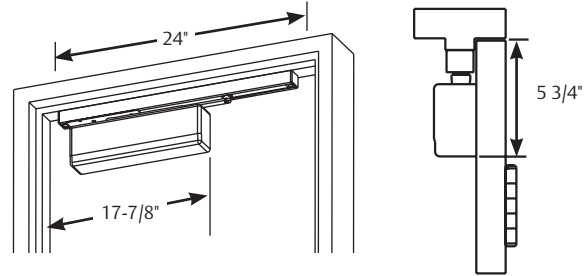
Push Side Track Application

Arm & Track	Description
POT	Push Standard
POTB	Push Bumper
PHT	Push Holder
PHTB	Push Holder and bumper

Track Arm Applications



Track Arm Applications



Pull Hinge Side Mounting (Track mounts on frame face)

- Minimum top rail required with a 351-A plate = 2-1/4" (57mm)
- Minimum top rail required without mounting plate = 4" (102mm)

Maximum Door Opening

- 160° with standard track
- 120° with optional bumper track
- 180° with standard track if frame conditions permit

Hold Open Range

- 85° – 120°

Push Stop Side Mounting (Track mounts on frame stop)

- Minimum top rail required without drop plate = 5-3/4" (146mm)
- 3" (76mm) minimum top rail required with 351-D Drop Plate

Minimum Stop Required

- 1-9/16" (40mm) wide

Maximum Door Opening

- 100° with standard track
- 95° with optional bumper track

Hold Open Range

- 85° – 95°

Common Features

Standard Finishes

- EAB, EB, ED, EN, EP, powder coated on all exposed surfaces
- Architectural plated arms and covers optional

Track

- Extruded aluminum track

Arm

- Forged steel

Bumper (optional)

- Mounts in track to assist backcheck
- Not designed to be used as a stop
- Auxiliary stop is required
- Available for both regular or hold open tracks

Holder (optional)

- Mounts within the track (adjustable)

Non Sized-Adjustable

- Interior doors to 5'0" wide
- Shipped factory preset for 3'0" door
- Factory pre-sized upon request

Consult factory if door weight exceeds 250 lbs.

Copyright © 2005-2021, SARGENT Manufacturing Company. All rights reserved. Reproduction in whole or in part without the express written permission of SARGENT Manufacturing Company is prohibited. Patent pending and/or patent www.assaabloyds.com/patents.

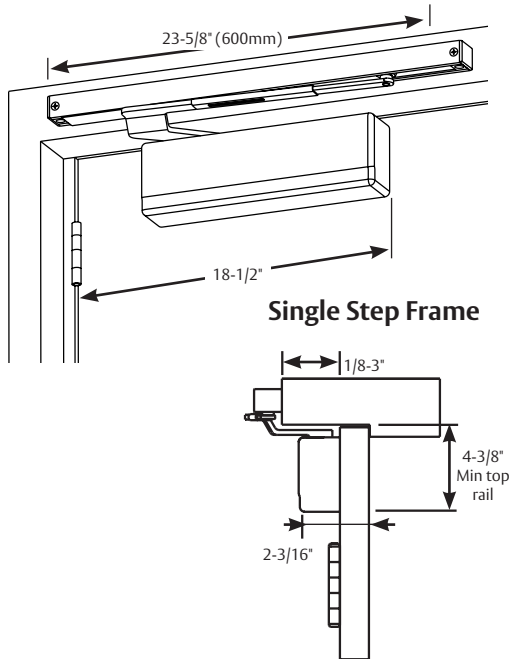
90120 09/21

Double Egress Applications

351 Series Powerglide®

SARGENT
ASSA ABLOY

ODS - Single Step Double Egress Arm



ODS Applications

- 160° maximum door opening
- 120° opening with bumper option
- Range of hold open 85°-120°
- Used with reveals 1/8" - 3" (3mm-76mm)

Track

- Extruded aluminum track
- End caps finished to match track

Arm

- Forged steel
- Bearing roller
- Arm handed same as door

Non Handed

- Universal body

Finishes (Powder Coat)

- EAB, EB, ED, EN, EP (standard for all exposed surfaces)

Bumper (optional)

- Mounts in track to assist backcheck
- Not designed to be used as a stop
- Auxiliary stop is required
- Available for both regular or hold open tracks

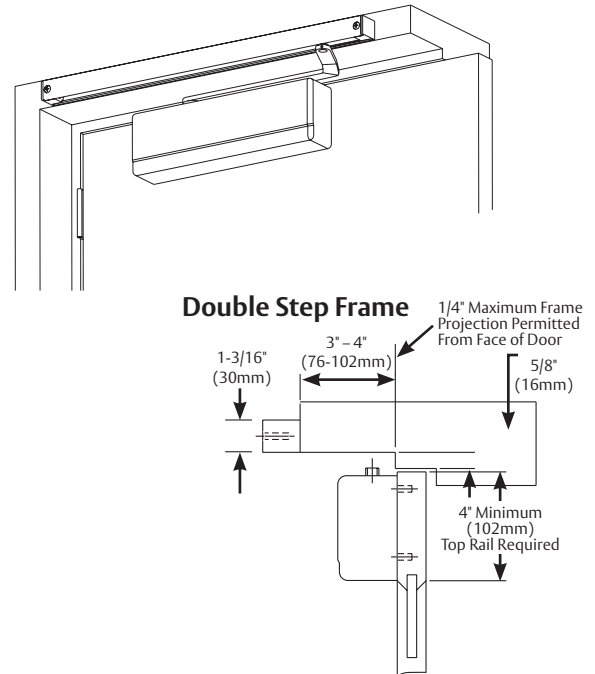
Holder (optional)

- Mounts within the track (adjustable)

Non Sized-Adjustable

- Interior doors to 5'0" wide
- Shipped factory preset for 3'0" door
- Factory pre-sized upon request

OD - Double Step Double Egress Arm



OD Applications

- 160° maximum door opening
- 120° opening with bumper option
- Range of hold open: 85° - 120°
- Used with reveals 3" - 4" (76mm-101mm)

Track

- Extruded aluminum track
- End caps finished to match track

Arm

- Forged steel
- Bearing roller
- Arm is handed same as door

Non Handed

- Universal Body

Finishes (Powder Coat)

- EAB, EB, ED, EN, EP (standard for all exposed surfaces)

Bumper (optional)

- Mounts in track to assist backcheck
- Not designed to be used as a stop
- Auxiliary stop is required
- Available for both regular or hold open tracks

Holder (optional)

- Mounts within the track (adjustable)

Non Sized-Adjustable

- Interior doors to 5'0" wide
- Shipped factory preset for 3'0" door
- Factory pre-sized upon request

Double egress track arms are used when the aesthetics of a track application is required on the pull side of a deep reveal frame.

This application is commonly used on cross corridor openings.

Double Egress Track Applications

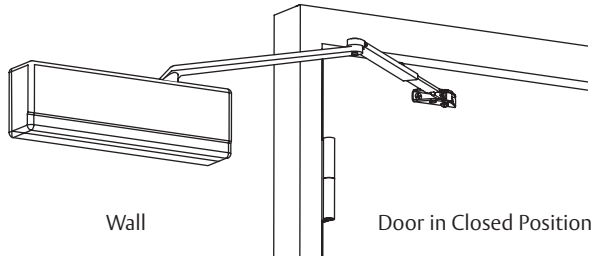
OD	Double step double egress
ODB	Double step double egress with bumper
HD	Double step double egress with holder
HDB	Double step double egress with bumper and holder
ODS	Single step double egress
ODSB	Single step double egress with bumper
HDS	Single step double egress with holder
HDSB	Single step double egress with bumper and holder

Pocket Door Applications

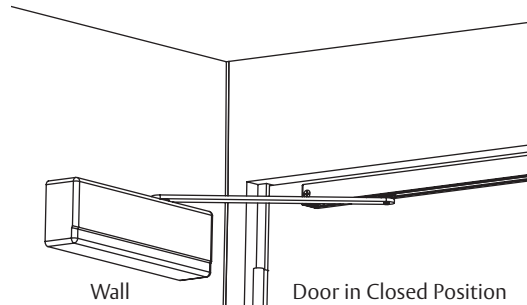
351 Series Powerglide®

SARGENT
ASSA ABLOY

OP - Double Lever Arm Application



OTP - Track Type Application



Pocket Door Applications

The 351 Series Powerglide Door Closer body is mounted on the wall and installed so that it pushes the door closed. This application is typically used with fire doors that are held open. In this application when the door is open, the closer and arms are completely hidden from view.

OP - Pocket Arm Application

- 180° Maximum Opening
 - Non handed
- Note:** 90° Maximum Opening, use OTP Track Type

Arm

- Forged steel

Non Handed

- Universal Body

Finishes (Powder Coat)

- EAB, EB, ED, EN, EP (standard for all exposed surfaces)
- Plated Covers and arms available

OTP - Track Type Application

- 90° Maximum Opening
- Extruded Aluminum Track
- Non handed

Arm

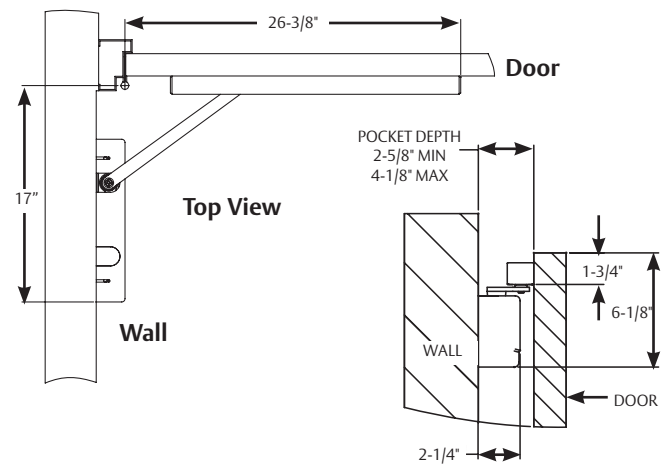
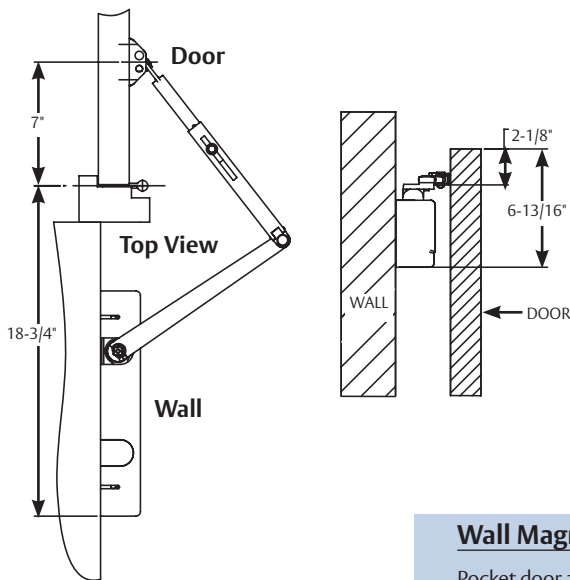
- Forged steel
- Bearing roller

Non Handed

- Universal Body

Finishes (Powder Coat)

- EAB, EB, ED, EN, EP (standard for all exposed surfaces)
- Plated Covers and arms available



Wall Magnets - see SARGENT holders and stops catalog

Pocket door applications commonly use wall mounts (wall magnets).



1560 Surface Mount



1561 Flush Mount



Copyright © 2005-2021, SARGENT Manufacturing Company. All rights reserved. Reproduction in whole or in part without the express written permission of SARGENT Manufacturing Company is prohibited. Patent pending and/or patent www.assaabloyds.com/patents.

90120 09/21

Overhead Stop/Holder Compatibility

351 Series Powerglide®

When a floor or wall stop cannot be used, the highest level of door control is provided with the use of a SARGENT door closer and a SARGENT overhead stop or holder. While door closer arms are available with stop and holder options, they are limited in their ability to withstand extreme abuse. Overhead stops absorb abusive loads using a heavy compression spring that distributes the load to the frame. SARGENT overhead stops and holders are designed for years of abuse and come with a 5 year warranty

Frequently Used Overhead Stops used with the 351 Series

• Standard Door Closer Applications (PULL SIDE MOUNT) Not Shown

- 590 Series Holder/Stop with 351-O
- 690 Series Holder/Stop with 351-O
- 1530 Series Holder/Stop with 351-O
- 1540 Series Holder/Stop with 351-O

• Parallel Arm Door Closer Applications (PUSH SIDE MOUNT)

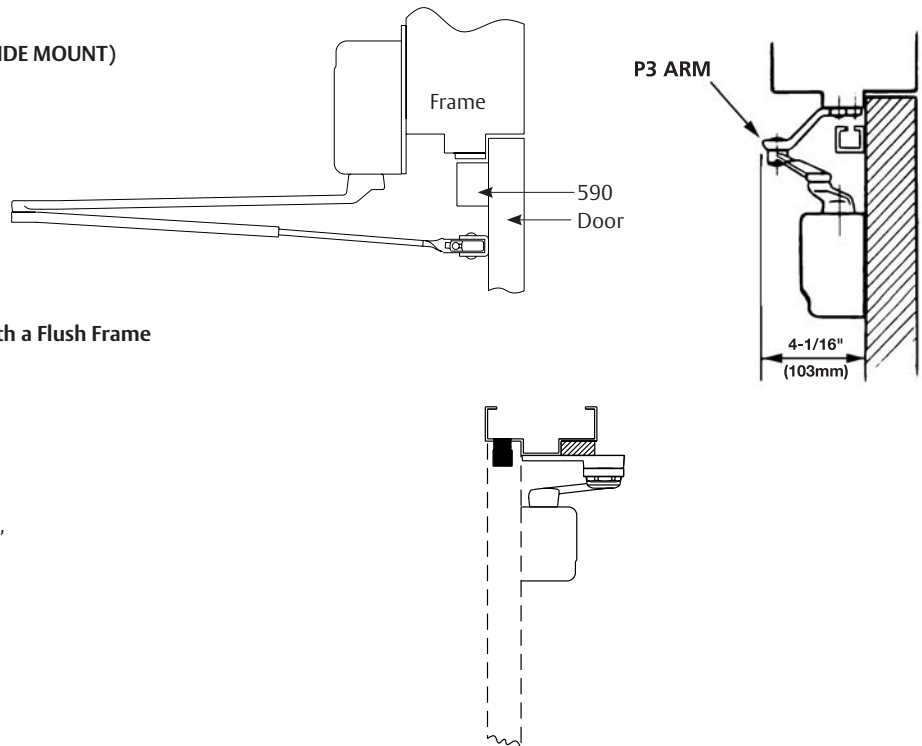
- 590 Series Holder/Stop with 351-P3
- 590 Series Holder/Stop with 351-PD10
- 690 Series Holder/Stop with 351-P9
- 690 Series Holder/Stop with 351-P10
- 1530 Series Holder/Stop with 351-P9
- 1530 Series Holder/Stop with 351-P10
- 1540 Series Holder/Stop with 351-P3
- 1540 Series Holder/Stop with 351-PD10

• Parallel Arm Door Closer Applications Used with a Flush Frame

- 590 Series Holder/Stop with 351-P4
- 690 Series Holder/Stop with 351-P4
- 1530 Series Holder/Stop with 351-P4
- 1540 Series Holder/Stop with 351-P4

• Inverted Top Jamb Applications

- 590, 690, 1530, 1540 Series with either 281, 351, 1431 Series and "O" OZ, OZA Arm



Special Conditions

The SARGENT Website (www.sargentlock.com) contains templates for all common applications of SARGENT Door Closers with SARGENT overhead door holders. To ensure a satisfactory installation for other holders, it is recommended that complete details be submitted as follows:

- Type, size and make of holder
- Holding position (maximum door opening)
- Submit holder template being used
- Closer application being used
- Size and type of hinge

In the case of unusual door, frame and hinge conditions where regular products do not meet requirements, submit drawings and complete details specifying the degree of door openings required, the type and size of hinge and the maximum door opening angle.

Through-bolts and Mortise Nuts

- When through-bolting is ordered, factory will furnish mortise nuts for use with the machine screws furnished with the closer
- Nuts are sized to accommodate 1-3/4" (44mm) standard or 1-3/8" (35mm) thick doors when specified on order
- For 2-1/4" (57mm) thick doors, longer through-bolts will be furnished with mortise nuts
- A bridge type reinforcement is required to prevent collapse of top rails when through-bolts are tightened (required on hollow metal doors).

How to Order and Options

351 Series Powerglide®



Packing

All closer assemblies are packaged 4 per carton. On request, door closers will be packed 2 per carton.

Series

351	4-Standard (2 upon request)	19 lbs. per 4
-----	-----------------------------	---------------

Number per Carton

Approx. wt per Carton

How To Order

Options	Series	Closer Arm	Finish	Hand
CPC-DA	351	P4H	26	LH
31-36-74-CPC-DA-MC-SG-TB	351	Standard Page 7 Top Jamb Page 9 Parallel Pages 11 & 12 Track Type Page 14 & 15	EB ED EN EP EAB 03* 04* 09* 10* 10B* 10BE 10BL* 14* 15* 20D* 26* 26D* BSP WSP	LH RH

Options Available

Specify	Detailed Description
31-	For doors 1-7/8" – 2-1/4" thick, specify door thickness, doors over 2-1/4" thick contact factory
36-	Security Torx Screws
74-	Lead lined cover
CPC-	Clear Powder Coat (available on 26 & 26D)
DA-	Delayed Action
MC-	Handed Metal Cover
TB-	Through Bolt (1-3/4" Std) For others, specify 31-TB- & door thickness

Note:

- The MC- option is used when a metal cover is desired on a powder coated finish
- When MC- is added to a plated finish, the MC- option indicates that only the cover is to be plated, the arms will be powder coated to match
- Do not specify the MC suffix if both the cover and arms are to be plated

* These finishes are automatically provided with a metal cover

How To Order Accessories

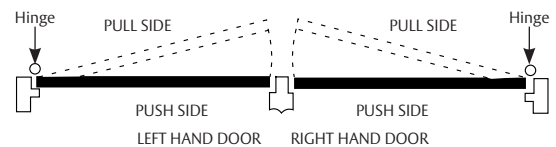
	Example	
Arm Only	Specify arm required and finish	25-PSH EN
Closer Body Only	Specify: CB-351*	CB-351
Arm conversion Units	Specify unit and finish	125-P4 EB
Cover Only (Standard)	351-C x finish	351-C EN
Cover Only (Metal)	351-CMC x finish and hand & arm type	351-CMC + 26D + LH + P10

Note: When complete closer assembly is ordered with an accessory, order accessory as a separate item

*DA (Delay Action) option is available with closer body

NOTE:

- Door closer warranty becomes void if the closer is installed on the exterior side of a door in the exterior wall of a building.
- It is strongly recommended, and may be required on fire door assemblies, that doors having a door closer be hung on ball-bearing or anti-friction hinges or pivots. Consult local authority having jurisdiction.
- Failure to use fasteners supplied with closer may void factory warranty.
- Fasteners for fire/smoke door assemblies must conform to NFPA 80. In some applications additional fasteners may be mandated by NFPA 80 that are not shipped with standard SARGENT product, such as sleeve-nuts/sex-nuts or thru bolts and grommet nuts.
- Information provided is based on 1-3/4" (44mm) x 7' (2.13m) standard weight doors swinging to 110°. Other conditions (such as door height or weight; or wind/draft conditions) may require adjustment of spring setting, selection of a larger size closer or different closer.



Copyright © 2005-2021, SARGENT Manufacturing Company. All rights reserved. Reproduction in whole or in part without the express written permission of SARGENT Manufacturing Company is prohibited. Patent pending and/or patent www.assaabloyds.com/patents.

Finishes

351 Series Powerglide®

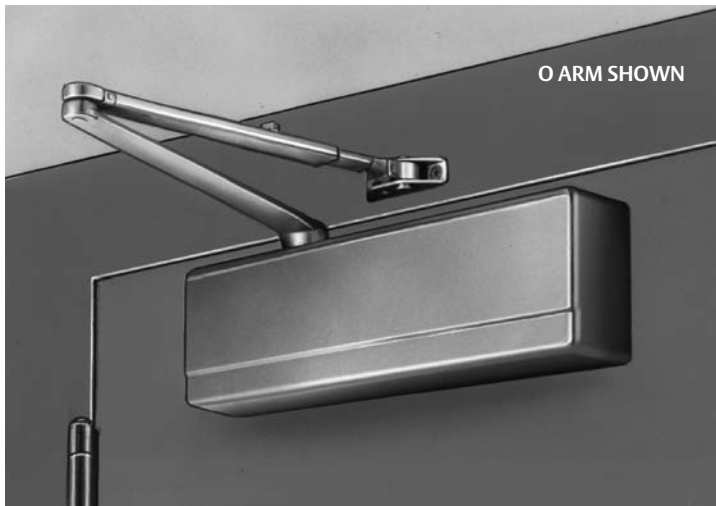
Finishes	ANSI/BHMA	Description
EB	695	Bronze powder coated to match finish 10B
EN	689	Aluminum powder coated
ED	693	Black powder coated to match finish 20D
EAB	696	Brass powder coated
EP	691	Bronze powder coated to match finish 10
03	605	Bright brass, clear coated
04	606	Satin brass, clear coated
09	611	Bright bronze, clear coated
10	612	Satin bronze, clear coated
10B	613	Dark oxidized satin bronze, oil rubbed
10BE	613E	Dark oxidized satin bronze - equivalent
10BL	614	Oxidized satin, bronze, clear coated
14	618	Bright nickel plated, clear coated
15	619	Satin nickel, clear coated
20D	624	Statuary dark bronze, clear coated
26	625	Bright chromium plated
26D	626	Satin chromium plated
BSP	—	Black Suede Powder Coat
WSP	—	White Suede Powder Coat

1431 Series Powerglide® Door Closer



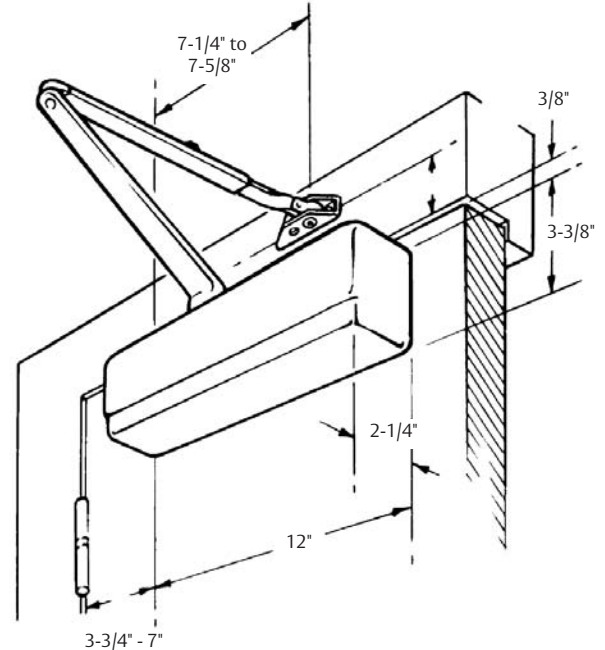
Standard Applications

1431 Series Powerglide®



The standard application of the 1431 door closer is the most common and the most desirable. The closer mounts on the hinge (pull) side of door (except when the W Corner Bracket is used). **Note:** This application is not recommended on exterior doors swinging out, since the closer is not protected from weather. The cover projection normally limits the door opening to a maximum of 160°.

1431-O Standard Application



1431 Standard Application for:

- Interior Doors Opening In or Out
- Exterior Doors Opening In

1431 Standard Application Door Opening Range

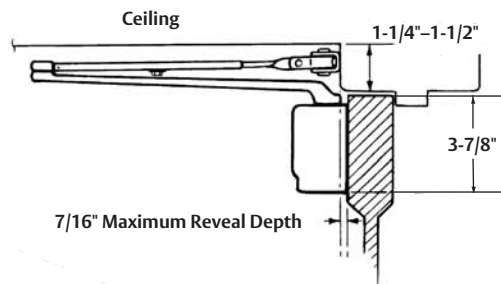
(Range based on Mounting Position)

- O & RO Standard Arms: 120°-180°
- H- Hold Open Arm: 90°-180°

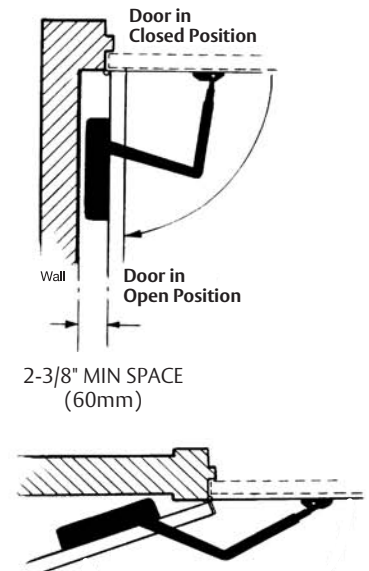
OLC - Low Ceiling Application Arm for Ceiling to Door Clearance of 1-1/4" - 1-1/2"

Door Top Rail Requirement

- 2-5/8" min. rail (116mm)
- For Top Rails less than 3-3/4" with window opening, the 1431-J Cover Plate is recommended



Wall Clearance Requirement



Cover Projection normally limits door opening to 160°

Consult factory if door weight exceeds 250 lbs.

Arms and Accessories for Standard Applications

1431 Series Powerglide®

SARGENT
ASSA ABLOY

O - Standard Arm

- Forged Steel Arm 11-1/4" (286mm) long
- Non-handed
- Permits 120° door opening with standard mounting
- Permits 180° door opening with alternate mounting or corner bracket



For arm only, order as 25-O x finish
Includes: 63-2607 - Main arm and link assembly
63-2216 - Foot assembly
64-2407 - Screw pack

RO Regular Arm

- Cold Formed Steel Arm 11-1/4" (286mm) long
- For reveal depths up to 2" (51mm)
- Arm is not handed
- Permits 180° door opening



For arm only, order as 25-RO x finish
Includes: 63-3396 - Main arm and link assembly
63-2216 - Foot assembly
64-2407 - Screw pack

H - Hold Open Arm

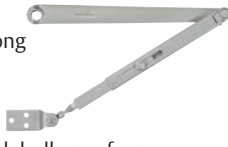
- Forged Steel Arm 11-1/4" (286mm) long
- Non-handed
- Hand is changed by inverting the foot assembly
- Friction type holder easily adjusted by a wrench
- Permits 180° door opening
- Holds open from 80° - 180°



For arm only, order as 25-H x finish
Includes: 63-3070 - Main arm and swivel assembly
61-2303 - Foot assembly
64-2407 - Screw pack

O8 - Mortise Foot Arm

- Forged Steel Arm 11-1/4" (286mm) long
- Non-handed
- Permits 120° door opening
- Commonly used with bull nose frames



For arm only, order as 25-O8 x finish
Includes: 63-2607 - Main arm and link assembly
63-2273 - Foot assembly
64-2407 & 63-2391 - Screw packs

H8 - Mortise Foot Hold Open Arm

- Forged Steel Arm 11-1/4" (286mm) long
- Handed same as door
- Friction type holder easily adjusted by a wrench
- Holds open from 80° - 180°



For arm only, order 25 R-H8 x finish for right hand or 25 L-H8 x finish for left hand
Includes: 63-3070 - Main arm & link assembly
63-2289 - Left hand foot assembly
63-2290 - Right hand foot assembly
63-2290RH - Foot assembly
64-2407 & 63-2391 - Screw packs

OLC - Standard Arm for Low Ceiling

- Forged Steel Arm 11-1/4" (286mm) long
- Non-handed
- Must be used when the distance between the top of door to ceiling is less than 1-1/4" (32mm)
- Permits 120° door opening with standard mounting



For arm only, order as 25-OLC x finish
Includes: 63-2549 - Main arm and link assembly
63-2216 - Foot assembly
64-2407 - Screw pack

UH Package

- Universal hold open arm package provides brackets and arms to install closer in top jamb, standard or parallel applications



Screw packs
64-2407 & 63-2391

125-PH9



UO/RUO Packages

- Universal arm package provides brackets and arms to install closer in standard top jamb or parallel applications



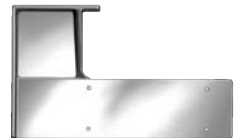
Screw packs
64-2407 & 63-2391

125-P9



1431-W Corner Bracket

- Fastens securely to both the head and jamb
- Malleable iron, painted to match closer finish
- Non-handed
- Requires 1-1/4" (32mm) minimum wide stop
- Order as 1431-W x finish



1431-J Cover Plate



- Can be used to improve appearance when narrow door rail permits closer to be viewed through glass panel. Specify finish.

Top Jamb Applications

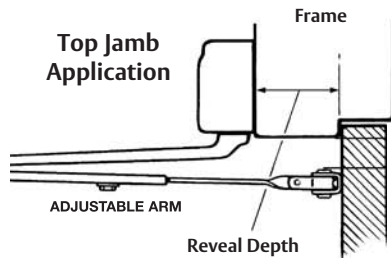
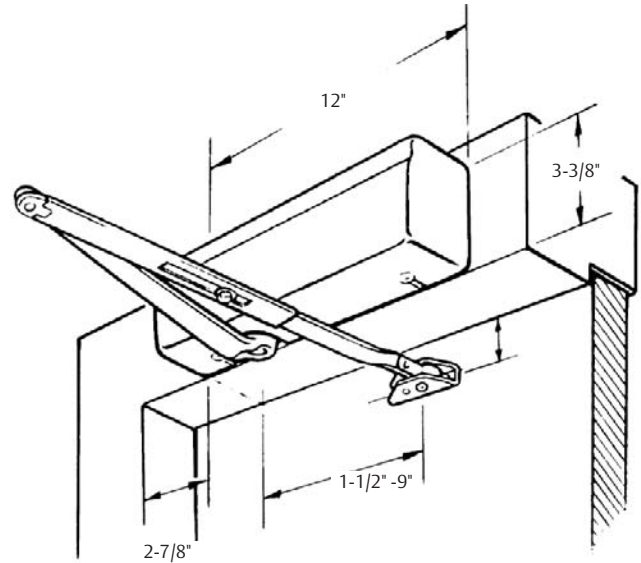
1431 Series Powerglide®



OZ ARM SHOWN

Top Jamb applications – The 1431 closer is mounted on the frame face above the door. The foot is mounted on the push side of door. This application is for use on exterior doors opening out to protect the closer from the weather.

1431-O Top Jamb Mounting Position



Minimum Frame Face Required

- 1-3/4" (44mm) for both single and double rabbeted frames

Minimum Door Top Rail Required to Mount Closer Foot

- 1-7/8" (48mm) minimum
- Rail height required depends on type and make of auxiliary holder if used

Adjustable Closing Force

- Interior doors to 5'0" wide
- Exterior doors to 4'0" wide
- Shipped factory preset for 3'0" door
- Factory pre-sized upon request

1431-O Typical Reveal Top Jamb Applications

For reveals up to 2" (51mm) maximum

- O or RO Arms - Max. Door Opening: 180°
- H Arm - Hold Open Range: 80° – 180°

1431-OZ Deep Reveal Top Jamb Applications

For reveals from 2-1/8" (54mm) to 5" (127mm)

- OZ Arm - Max. Door Opening: 140°
- HZ Arm - Hold Open Range: 80° – 140°

1431-OZA Extra Deep Reveal Top Jamb Applications

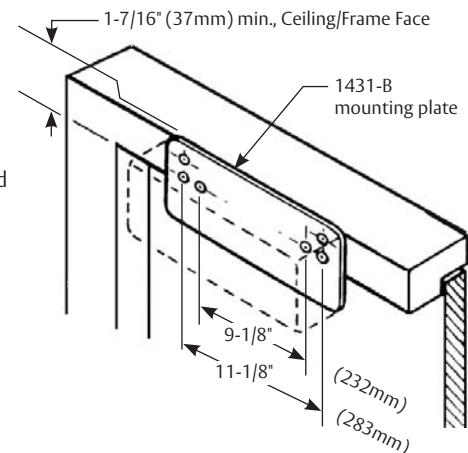
For reveals from 5-1/8" (130mm) to 8" (203mm)

- OZA Arm - Max. Door Opening: 140°
- HZA Arm - Hold Open Range: 80° – 130°

Top Jamb Application for Low Ceilings using 1431-B Mounting Plate



- Required for low ceiling condition and narrow face frames
- Available w/powder coat or plated finish to match cover
- Non-handed
- Plate mounting screws included
- Order as 1431-B x finish



Consult factory if door weight exceeds 250 lbs.

Arms for Top Jamb Applications

1431 Series Powerglide®

SARGENT
ASSA ABLOY

Narrow Reveal Arms

O - Standard Arm

- Forged Steel Arm
11-1/4" (286mm) long
- For reveals
up to 2" (51mm)
- Non-handed
- Permits 180° door
opening



For arm only, order as 25-O x finish
Includes:

63-2607 - Main arm and link assembly
63-2216 - Foot assembly
64-2407 - Screw pack

RO Regular Arm

- Cold Formed Steel Arm
11-1/4" (286mm) long
- Non-handed
- Permits 120° door
opening with standard
mounting
- Permits 180° door opening
with alternate mounting or
corner bracket



For arm only, order as 25-RO x finish
Includes:

63-3396 - Main arm and link assembly
63-2216 - Foot assembly
24-2407 - Screw pack

H - Hold Open Arm

- Forged Steel Arm
11-1/4" (286mm) long
- For reveals up to
2" (51mm)
- Adjustable friction
holder
- Non-handed
- Permits 180° door
opening



For arm only, order as 25-H x finish
Includes:

63-3070 - Main arm and link assembly
61-2303 - Foot assembly
64-2407 - Screw pack

Deep Reveal Arms

OZ - Standard Arm for Deep Reveals

- Forged Steel Arm
11-1/4" (286mm) long
- For reveals from
2-1/8" (54mm)
to 5" (127mm)
- Non-handed
- Permits 140° door opening



For arm only, order as 25-OZ x finish
Includes:

63-2607 - Main arm and link assembly
63-2217 - Foot assembly
64-2407 - Screw pack

HZ - Hold Open Arm for Deep Reveals

- Forged Steel Arm
11-1/4" (286mm) long
- For reveals from
2-1/8" (54mm)
to 5" (127mm)
- Adjustable friction holder
- Non-handed
- Permits 140° door opening



For arm only, order as 25-HZ x finish

Includes:
63-2230 - Main arm and link assembly
61-2303 - Foot assembly
64-2407 - Screw pack

Extra Deep Reveal Arms

OZA - Standard Arm for Extra Deep Reveal

- Forged Steel Arm
11-1/4" (286mm) long
- For reveals
5-1/8" (130mm)
to 8" (203mm)
- Non-handed
- Permits 140° door opening



For arm only, order as 25-OZA x finish
Includes:

63-2607 - Main arm and link assembly
63-2218 - Foot assembly
64-2407 - Screw pack

HZA - Hold Open Arm for Extra Deep Reveal

- Forged Steel Arm
11-1/4" (286mm) long
- For reveals
5-1/8" (130mm)
to 8" (203mm)
- Adjustable friction
holder
- Non-handed
- Permits 140° door opening



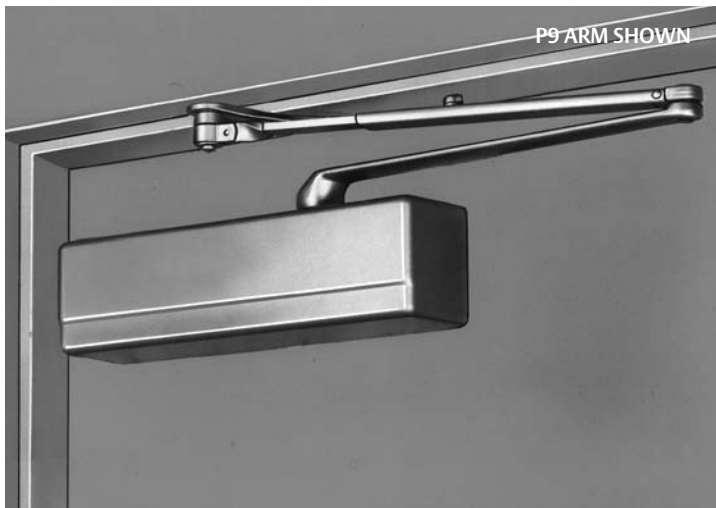
For arm only, order as 25-HZA x finish

Includes:
63-2231 - Main arm and link assembly
61-2303 - Foot assembly
64-2407 - Screw pack

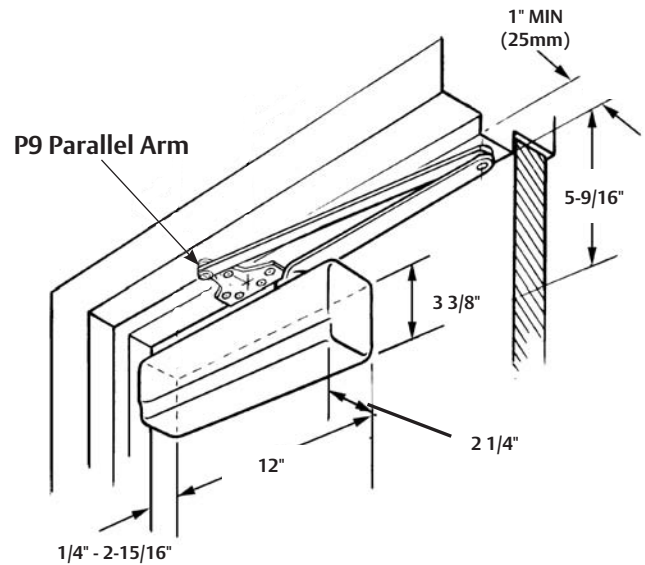
Parallel Arm Applications

1431 Series Powerglide®

SARGENT
ASSA ABLOY



1431-P9 Regular Parallel Arm Application



Parallel Arm Applications – The 1431 closer is mounted on the push side of the door with the arm under the frame parallel to the face of the door. This application is well suited for narrow face frames and deep reveal applications. The closer arm does not project into the room, and the door can be swung open much farther than in Top Jamb Application.

Heavy Duty Parallel Arms

For use in high traffic and abusive environments

- Friction and positive hold open arms available
- Use friction hold open arms for doors subject to moderate hold open use
- Use positive stop hold open arms for doors subject to frequent hold open use
- Dead stop and compression stop arms available

Non hold-open arms

- Two mounting positions for 120° and 180° maximum door openings

Stop arms

- 6 mounting positions allow stop from 85° – 110°

Positive stop hold open arms

- 6 mountings provide hold open positioning from 85° – 110°

Friction hold open arm

- Two mountings provide adjustable hold open positions from 75° – 180°

Regular Duty Parallel Arms

Available Arms for institutional installations:

- Regular Duty Parallel Arms
- Offset Bracket Arms for use with Auxiliary Holders & Stops
- Parallel flush frame arms
- Flush frame arms for use with Auxiliary Holders & Stops
- Flush frame, friction hold open arms
- Friction hold open arms
- Use friction hold open arms for doors subject to moderate hold open use

Standard Mounting Position

- 120° Maximum door opening
- Holding range of friction hold open arms: 75° – 110°

Alternate Mounting Position

- Maximum door opening: 180°
- Holding range of friction hold open arms: 85° – 170°

Consult factory if door weight exceeds 250 lbs.

Heavy Duty Parallel Arms

1431 Series Powerglide®

SARGENT
ASSA ABLOY

P10 - Heavy Duty Parallel Arm



- Forged Steel Arm 11-1/4" (286mm) long
- Non-handed
- Easily installed
- Permits 120° opening at standard mounting
- Permits 180° opening at alternate mounting

For arm only, order as 25-P10 x finish
Includes: 63-0641 - Main arm
63-3727 - Arm and bracket assembly
64-2407 & 63-2392 - Screw packs

PS - Heavy Duty Parallel Arm with Positive Stop



- Forged Steel Arm 11-1/4" (286mm) long
- Handed arm is field-reversible
- Provides built in stop from 85° – 110°
- Permits 110° opening maximum
- Easily installed
- Permits 85° – 110° door opening

For arm only, order as 25-PS x finish
Includes: 63-0641 - Main arm
63-3837 - Arm and bracket assembly
64-2407 & 63-2392, 63-2396 - Screw packs

CPS - Heavy Duty Parallel Arm with Compression Stop



- Forged Steel Arm 11-1/4" (286mm) long
- Provides built in compression stop from 85° – 105°
- Permits 105° opening maximum
- Easily installed
- Handed arm is field-reversible
- Dead stop within 3°

For arm only, order as 25-CPS x finish
Includes: 63-0641 - Main arm
63-3830 - Arm and bracket assembly
63-0516 - Bumper holder
63-3493 - Bumper
64-2407 & 63-2398 - Screw packs

PH10 - Heavy Duty Friction Hold Open Parallel Arm



- Equipped with adjustable friction holder
- Adjustable hold open from 75° – 180°
- Forged steel arm 11-1/4" (286mm) long
- Handed same as door
- Use friction hold open arms for doors subject to moderate hold open use

For arm only, order as 25-PH10 x finish
Includes: 63-0641 - Main arm
63-3839 - Left hand arm and bracket assembly
63-3840 - Right hand arm and bracket assembly
64-2407 & 63-2392 - Screw packs

PSH - Heavy Duty Parallel Hold Open Arm with positive Stop



- Provides holder and stop features
- Handed arm is field-reversible
- Easily installed/adjusted
- Permits 85° – 110° door opening

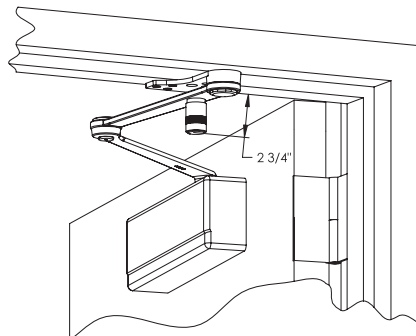
For arm only, order as 25-PSH x finish
Includes: 63-0641 - Main arm
63-3833 - Arm and bracket assembly
64-2407 & 63-2392, 63-2396 - Screw packs

CPSH - Heavy Duty Hold Open Parallel Arm with Compression Stop



- Forged Steel Arm 11-1/4" (286mm) long
- Handed arm is field-reversible
- Provides built in compression stop and holder mechanism from 85° – 105°
- Easily installed/adjusted
- Permits 105° opening maximum
- Dead stop within 3°

For arm only, order as 25-CPSH x finish
Includes: 63-0641 - Main arm
63-3836 - Arm and bracket assembly
63-0516 - Bumper holder
63-3493 - Bumper
64-2407 & 63-3487 - Screw packs



The PSH and CPSH arms project 2 3/4" below the head stop

Positive Stop Hold Open Arms (PSH & CPSH ARMS)

- Use on doors subject to repetitive hold open use
- 6 hold open angle installation
- Hold open function may be disengaged
- Hold open tension is easily adjustable

Copyright © 2004-2021, SARGENT Manufacturing Company. All rights reserved. Reproduction in whole or in part without the express written permission of SARGENT Manufacturing Company is prohibited. Patent pending and/or patent www.assaabloyds.com/patents.

90121 05/21

10

1-800-727-5477 • www.sargentlock.com

Experience a safer
and more open world

Regular Duty Parallel Arms

1431 Series Powerglide®

Hold Open Arms

PH4 - Flush frame, Friction Hold Open Arm

- Forged Steel Arm 11-1/4" (286mm) long
- Holds open from 75° – 180°
- Easily adjusted by wrench
- Non-handed
- Use on frames where stop or soffit is too narrow to mount the standard hold open foot bracket



For arm only, order as 25-PH4 x finish
Includes: 63-3070 - Main arm and link assembly
61-2303 - Foot assembly
64-0050 - Foot bracket
64-2407 & 63-2391 - Screw packs

PH9 - Friction Hold Open Arm

- Forged Steel Arm 11-1/4" (286mm) long
- Holds open from 75° – 180°
- Easily adjusted by wrench
- Non-handed



For arm only, order as 25-PH9 x finish
Includes: 63-3070 - Main arm and link assembly
61-2303 - Foot assembly
64-0039 - Foot bracket (125 PH9)
64-2407 & 63-2391 - Screw packs

Offset Bracket Arms

P3 - 1" Offset Bracket for use with Auxiliary Holder/Stop

- Forged Steel Arm 11-1/4" (286mm) long
- For use with auxiliary surface overhead stops and holders
- Foot bracket is offset 1" more than P-9, allowing door closer to be lowered on door face
- Non-handed



For arm only, order as 25-P3 x finish
Includes: 63-2607 - Main arm and link assembly
63-2270 - Foot assembly
64-2407 & 63-2391 - Screw packs

P3A - 1-3/4" Offset Bracket for use with Auxiliary Holder/Stop

- Forged Steel Arm 11-1/4" (286mm) long
- For use with auxiliary surface overhead stops and holders and door coordinators
- Foot bracket lowers door closer an additional 3/4" below P3 bracket
- Non-handed



For arm only, order as 25-P3A x finish
Includes: 63-2607 - Main arm and link assembly
63-2274 - Foot assembly
64-2407 & 63-2391 - Screw packs

P4 - Parallel Flush frame Arm

- Forged Steel Arm 11-1/4" (286mm) long
- Foot bracket is attached to frame or transom face
- For use where stop or soffit is too narrow for the standard P9
- Permits 120° opening with standard mounting
- Permits 180° opening with alternate mounting
- Non-handed



For arm only, order as 25-P4 x finish
Includes: 63-2607 - Main arm and link assembly
63-2295 - Foot assembly
64-2407 & 63-2391 - Screw pack

P4A - Flush Frame Arm for use with Auxiliary Holder/Stop

- Forged Steel Arm 11-1/4" (286mm) long
- For use with auxiliary surface overhead stops and holders
- Foot bracket is attached to frame or transom face
- Foot bracket lowers door closer an additional 3/4" below P4 bracket
- Non-handed



For arm only, order as 25-P4A x finish
Includes: 63-2607 - Main arm and link assembly
63-2272 - Foot assembly
64-2407 & 63-2391 - Screw packs

RP9 Regular Arm

- Cold Formed Steel Arm 11-1/4" (286mm) long
- Arm is not handed
- Permits 120° opening with standard mounting
- Permits 180° opening with alternate mounting



For arm only, order
Includes: 63-3396 - Main arm and link assembly
63-2271 - Foot assembly
64-2407 & 63-2391 - Screw Packs

P9 - Standard Parallel Arm

- Forged Steel Arm 11-1/4" (286mm) long
- Non-handed



For arm only, order as 25-P9 x finish
Includes: 63-2607 - Main arm and link assembly
63-3405 - Foot assembly
64-2407 & 63-2391 - Screw packs

UO/RUO Packages

- Universal arm package provides arms and brackets to install closer in standard top jamb or parallel application
Screw packs 64-2407 & 63-2391



UH Package

- Universal hold open arm package provides brackets and arms to install closer in top jamb, standard or parallel applications
Screw packs 64-2407 & 63-2391



Accessories for Parallel Applications

1431 Series Powerglide®

SARGENT
ASSA ABLOY

Heavy Duty Parallel Accessories

581-2 Blade Stop Spacer Kit



- For frames with 1/2" blade stops
- For use with P10, PH10, PS, PSH, CPS and CPSH arms
- 125-V bracket included
- Packed with 1-1/4" long screws
- Use P/N 64-0157 to order blade stop only

125-V/125-VF Brackets



125-V

- For use with all heavy duty parallel arms
- Use 125-V for narrow stop and frame conditions
- Use 125-VF for flush door and frame conditions



125-VF

Spacer 63-0191

- 1/2" x 5/8"
- Included standard with PS, PSH, PH10, P-10 CPS and CPSH arm for use with rabbited frames



Regular Duty Parallel Accessories

125-P3 Arm Conversion Unit

- Converts O or P9 arm to P3 Parallel Arm



125-P3A Arm Conversion Unit

- Converts O or P9 Arm to P3A Parallel Arm



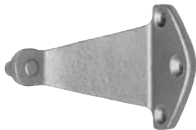
125-PH9 Parallel Arm Foot

- Converts standard hold open (H) arm to PH9 Parallel Hold Open Arm



125-P4 Conversion Unit

- Converts O or P9 Arm to P4A Arm



125-P4A Arm Conversion Unit

- Converts O or P9 arm to P4A Arm



581-1 Blade Stop Spacer Kit



- For frames with 1/2" blade stops
- For use with P9, PH9 and PF9 arms only
- Packed with 1-1/4" long screws

Miscellaneous Accessories

1431 J Cover Plate

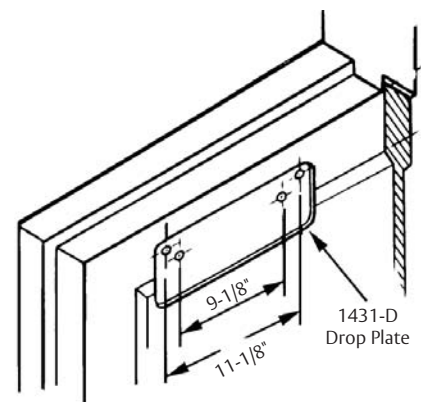


- Can be used to improve appearance when narrow door rail permits closer to be viewed through glass panel

1431 Drop Plate



- Required for parallel arm applications with top rails less than 5-3/4"
- Requires 3" (76mm) minimum top rail
- Available with powder coat or plated finish to match closer
- Non-handed – Plate mounting screws included
- Order as 1431-D x finish



Copyright © 2004-2021, SARGENT Manufacturing Company. All rights reserved. Reproduction in whole or in part without the express written permission of SARGENT Manufacturing Company is prohibited. Patent pending and/or patent www.assaabloy.com/patents.

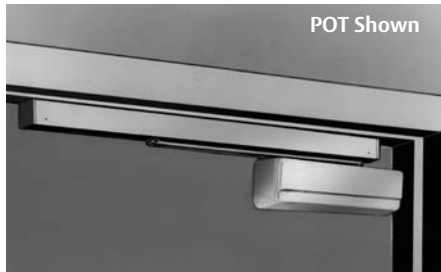
Track Type Applications

1431 Series Powerglide®

Pull Side Mounting (Hinge Side)



Push Side Mounting (Stop Side)



OD Double Egress Arm



1431 Track Type Closer – Offers the most decorative door closer providing a clean unobstructed appearance without the cost of concealed closers and tracks. With versatile mounting options on either side of the door, the 1431 track type closers are a favorite of interior designers.

OT Track Arm

- Track mounts on frame face “OT”
- Minimum top rail required – 2-3/8”
- Mounting plates cannot be used for this application

Maximum Door Opening

- 160° with standard track
- 120° with optional bumper track
- 180° with ideal conditions for standard track

Hold Open Range

- 85° – 120°

POT Track Arm

- Track mounts on frame stop “POT”
- Minimum top rail required without drop plate: 4-3/4” (121mm)
- With 1431D Drop Plate 3” (76mm)

Maximum Door Opening

- 100° with standard track
- 95° with optional bumper track

Hold Open Range

- 85° – 95°

Minimum Stop Required

- 1-9/16” (40mm) wide

- Forged steel arm
- Handed
- Special frame profile required
- Available with Holder Option (HD) and Bumper Option (B)
- 160° maximum door opening
- 120° opening with bumper option
- Range of hold open 85° – 120°
- Used with reveals 3” – 4” (76mm-102mm)

Order as 25-OD x finish for track and arm assembly

- Includes:
- 63-2447 - Track assembly
 - 63-3656 - Left hand arm
 - 63-3657 - Right hand arm

Track

- Extruded aluminum track
- End caps finished to match track

Arm

- Forged steel
- Bearing roller

Bumper (Optional)

- Mounts in track to assist backcheck
- Not designed to be used as a stop
- Auxiliary stop is required
- Available for both regular or hold open tracks

Holder (Optional)

- Mounts within the track (adjustable)

Finishes

- EAB, EB, ED, EN, EP powder coat on all exposed surfaces

Arm & Track	Description/Options
1431—OT	Pull
1431—OTB	Pull with Bumper
1431—HT	Pull with Holder
1431—HTB	Pull with Holder and Bumper
1431—OD	Pull Double egress (Handed) (Non-standard frame required)
1431—ODB	Pull Double egress with Bumper (Handed) (Non-standard frame required)
1431—HD	Pull Double egress with Holder (Handed) (Non-standard frame required)
1431—HDB	Pull Double egress with Holder and Bumper (Handed) (Non-standard frame required)
1431—POT	Push
1431—POTB	Push with Bumper
1431—PHT	Push with Holder
1431—PHTB	Push with Holder and Bumper

Note: Two mounting applications are available

Consult factory if door weight exceeds 250 lbs.

How to Order

1431 Series Powerglide®

SARGENT
ASSA ABLOY

Packing

All closer assemblies are packaged 4 per carton. On request, door closers will be packed 2 per carton.

How To Order

Options	Series	Closer Arm	Finish	Hand
CPC-DA	1431	P4H	26	LH
31- 36- 74- CPC DA- MC- SG- TB-	1431	Standard Page 6 Top Jamb Page 8 Parallel Pages 10 & 11 Track Type Page 13	EB ED EN EP EAB 03* 04* 09* 10* 10B* 10BE 10BL* 14* 15* 20D* 26* 26D* BSP WSP	LH RH

* These finishes are automatically provided with a metal cover

NOTE:

- Door closer warranty becomes void if the closer is installed on the exterior side of a door in the exterior wall of a building.
- It is strongly recommended, and may be required on fire door assemblies, that doors having a door closer be hung on ball-bearing or anti-friction hinges or pivots. Consult local authority having jurisdiction.
- Failure to use fasteners supplied with closer may void factory warranty.
- Fasteners for fire/smoke door assemblies must conform to NFPA 80. In some applications additional fasteners may be mandated by NFPA 80 that are not shipped with standard SARGENT product, such as sleeve-nuts/sex-nuts or thru bolts and grommet nuts.
- Information provided is based on 1-3/4" (44mm) x 7' (2.13m) standard weight doors swinging to 110°. Other conditions (such as door height or weight; or wind/draft conditions) may require adjustment of spring setting, selection of a larger size closer or different closer.

How To Order

Accessories	Example	
Arm only	Specify 25-, arm required and finish	25-PSH EN
Body only	Specify CB-1431 (Option DA- available)	CB-1431
Arm conversion Units	Specify unit and finish	125-P9 EB
Cover Only (Standard)	1431-C x finish	1431-C x EN
Cover Only (Metal)	1431-CMC x finish and hand & arm type	1431-CMC x 26D x LH X P-10
Accessories	Specify accessory and finish See applicable catalog section	1431-D EB

When complete closer assembly is ordered with an accessory, order accessory as a separate item

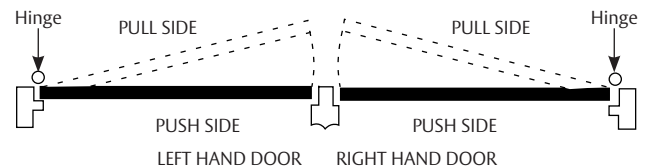
Series	Number per Carton	Approx. wt per Carton
1431	4-Standard (2 upon request)	19 lbs. per 4

Options Available

Specify	Detailed Description
31-	For doors 1-7/8" – 2-1/4" thick, specify door thickness, doors over 2-1/4" thick contact factory
36-	Security Torx Screws supplied for all exposed fasteners
74-	Lead lined cover
CPC-	Clear Powder Coat (available on 26 & 26D)
DA-	Delayed Action
MC-	Handed Metal Cover
TB-	Through Bolt (1-3/4" Std) For others, specify 31-TB- & door thickness

Note:

- The MC- option is used when a metal cover is desired on a powder coated finish
- When MC- is added to a plated finish, the MC- option indicates that only the cover is to be plated, the arms will be powder coated to match
- Do not specify the MC option if both the cover and arms are to be plated



Copyright © 2004-2021, SARGENT Manufacturing Company. All rights reserved. Reproduction in whole or in part without the express written permission of SARGENT Manufacturing Company is prohibited. Patent pending and/or patent www.assaabloyds.com/patents.

90121 05/21

Finishes

1431 Series Powerglide®

Finishes

Finishes	ANSI/BHMA	Description
EB	695	Bronze powder coated to match finish 10B
EN	689	Aluminum powder coated
ED	693	Black powder coated to match finish 20D
EAB	696	Brass powder coated
EP	691	Bronze powder coated to match finish 10
03	605	Bright brass, clear coated
04	606	Satin brass, clear coated
09	611	Bright bronze, clear coated
10	612	Satin bronze, clear coated
10B	613	Dark oxidized satin bronze, oil rubbed
10BE	613E	Dark oxidized satin bronze - equivalent
10BL	614	Oxidized satin, bronze, clear coated
14	618	Bright nickel plated, clear coated
15	619	Satin nickel, clear coated
20D	624	Statuary dark bronze, clear coated
26	625	Bright chromium plated
26D	626	Satin chromium plated
BSP	—	Black Suede Powder Coat
WSP	—	White Suede Powder Coat