

80 Series Parts Manual



For assistance, contact SARGENT at
800-727-5477 or www.sargentlock.com

Table of Contents



Chassis Assemblies

- 83004
- 8400 5-10
- 8500 11-12
- 8600 13-28
- 8700 29-52
- 8800 53-67
- 8900 68-69

900 Series Mortise Locks 70-82

Rail Assemblies 83-102

700 Series ET Control 103-133

Auxiliary Controls 134-136

The warranty on SARGENT® products becomes void if the product is modified in any way, regardless of whether the modification causes or contributes to any alleged defect. If a SARGENT product is modified it may no longer meet industry certification and quality control standards applicable to the original product and is no longer a genuine SARGENT product.

Copyright ©2017 Sargent Manufacturing Company, an ASSA ABLOY Group company. All rights reserved. Reproduction in whole or in part without the express written permission of Sargent Manufacturing Company is prohibited.

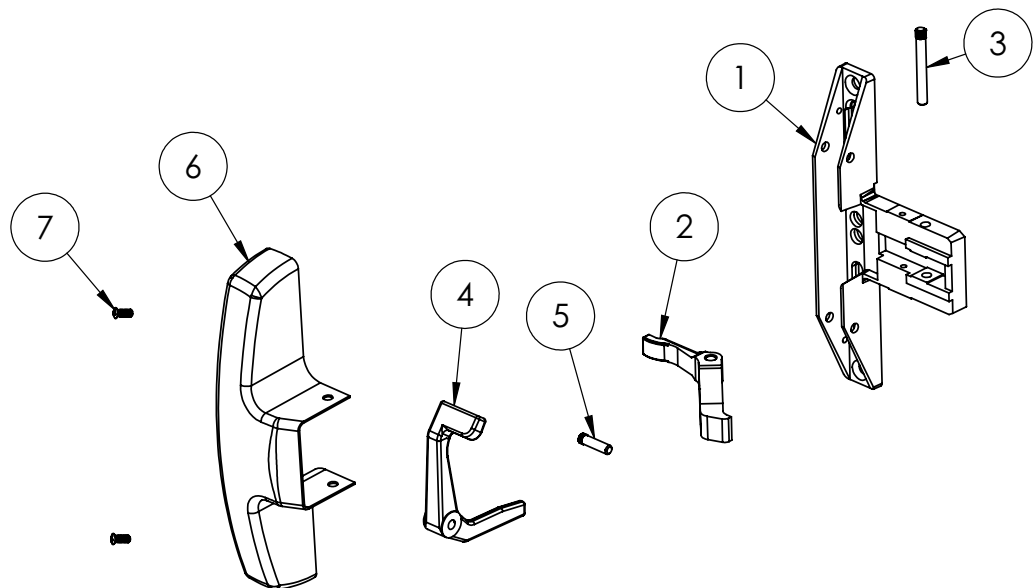
(12-)8304 (12-)8310 (12-)8313 (12-)8315
 (12-)8328 (12-)8343 (12-)8344 (12-)8363
 (12-)8375 (12-)8376

SARGENT®
ASSA ABLOY

Function		Assembly No.	Description	Sellable
(12-) All functions	1 3/4" Door	68-2481	LHRB	Yes
		68-2482	RHRB	Yes
	2"-2 3/4" Door	68-2483	LHRB	Yes
		68-2484	RHRB	Yes

Item	Part No.	Description	Qty	Sellable
1	68-0486	Chassis	1	Yes
2	68-0241	Lift Arm	1	Yes
3	68-0239	Pivot Pin (Lift Arm)	1	Yes
4	68-0489	Lift Lever LHRB 1 3/4" Door	1	Yes
	68-0490	Lift Lever RHRB 1 3/4" Door	1	Yes
	68-0491	Lift Lever LHRB 2 3/4" Door	1	Yes
	68-0492	Lift Lever RHRB 2 3/4" Door	1	Yes
5	68-0479	Pivot Pin (Lift Lever)	1	Yes
6	68-0496	Cover ¹	1	Yes
7	68-3905	Cover Screw Pack ¹	2	Yes
Not Shown	—	900 Series Mortise Assembly ^{1,2,4}	1	Yes
	68-2520	Screw Pack Standard	1	Yes
	68-2522	Screw Pack (12-)	1	Yes
	C908	Strike Pack ³ (1 1/4" Standard Lip)	1	Yes

1. Specify finish
2. Specify hand
3. Specify lip length
4. Specify function



A8231 12/17

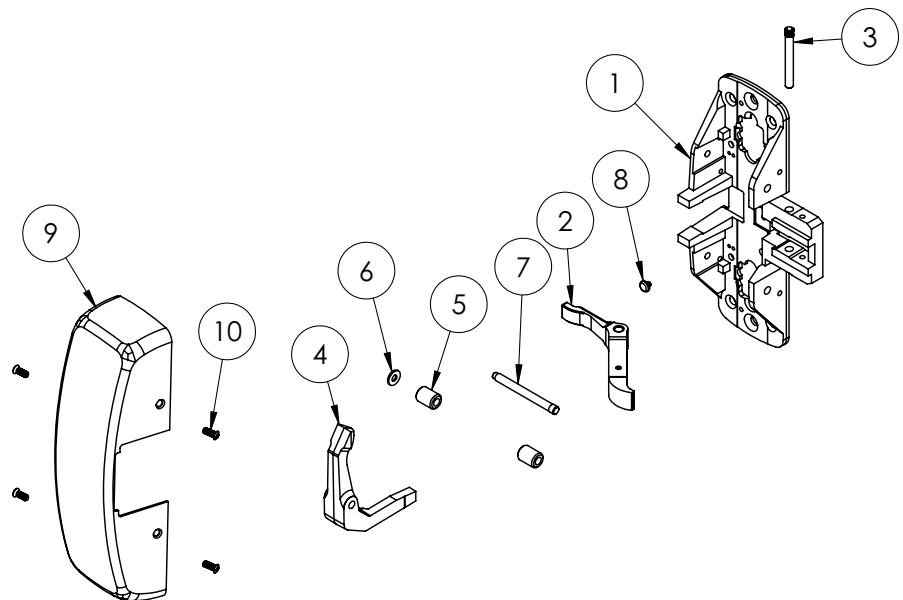
The warranty on SARGENT® products becomes void if the product is modified in any way, regardless of whether the modification causes or contributes to any alleged defect. If a SARGENT product is modified it may no longer meet industry certification and quality control standards applicable to the original product and is no longer a genuine SARGENT product.

(12-)8904	(12-)8910	(12-)8913
(12-)8915	(12-)8928	(12-)8943
(12-)8944	(12-)8963	(12-)8970
(12-)8971	(12-)8975	(12-)8976

Function	Assembly No.	Description	Sellable
(12-) (All Functions Except 16 & 66)	68-2172	LHRB	Yes
	68-2173	RHRB	Yes

Item	Assembly No.	Part No.	Description	Qty	Sellable
1	See chart above	68-0339	Chassis	1	No
2		68-1137	Lift Arm	1	Yes
3		68-0239	Pivot Pin	1	Yes
4		68-0337	Left Hand Lift Lever	1	Yes
		68-0338	Right Hand Lift Lever	1	Yes
5		68-0273	Bushing	2	Yes
6		01-9370	Washer	1	Yes
7		68-0271	Pivot Pin (63 Function)	1	Yes
8		68-1294	Stop Pin	1	No
9	N/A	68-0407	Cover ¹	1	Yes
10		68-3905	Cover Screw Pack ¹	1	Yes
Not Shown		68-2172 (LHRB)	900 Series Mortise Assembly ^{1,2,3}	1	Yes
		68-2173 (RHRB)		1	Yes
		68-2143	Screw Pack Standard	1	Yes
		68-2165	Screw Pack (12-)	1	Yes
		C908	Strike Pack LHRB 1 3/4" (C908) ^{1,3}	1	Yes
C908		Strike Pack RHRB 1 3/4" (C908) ^{1,3}	1	Yes	

1. Specify finish
2. Specify function
3. Specify hand

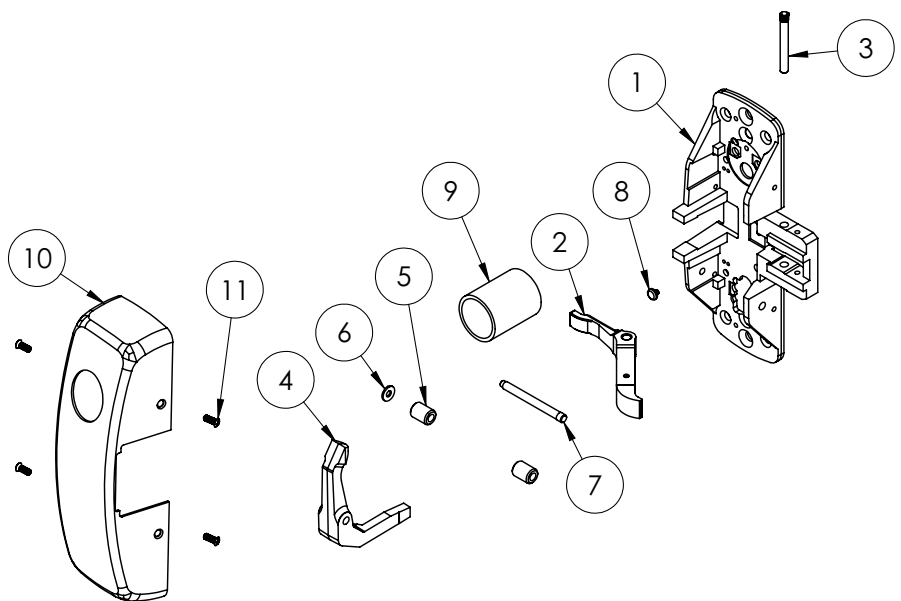


(12-) 8916
(12-) 8966

Function	Assembly No.	Description	Sellable
(12-)	68-2213	LHRB	Yes
	68-2214	RHRB	Yes

Item	Part No.	Description	Qty	Sellable
1	68-0341	Chassis RHRB	1	No
	68-0342	Chassis LHRB	1	No
2	68-1137	Lift Arm	1	Yes
3	68-0239	Pivot Pin	1	Yes
4	68-0337	Left Hand Lift Lever	1	Yes
	68-0338	Right Hand Lift Lever	1	Yes
5	68-0273	Bushing	2	Yes
6	01-9370	Washer	1	Yes
7	68-0271	Pivot Pin (63 Function)	1	Yes
8	68-1294	Stop Pin	1	No
9	99-0007	Cylinder Blocking Ring ¹	1	Yes
Not Shown	13-0085	Locking Tail	1	Yes
	13-0080	Cylinder Barrel Retainer	1	Yes
	—	Cylinder Assembly ²	1	Yes
	13-0074	Connecting Screw	2	Yes
10	68-0410	Cover LHRB ¹	1	Yes
	68-0411	Cover RHRB ¹	1	Yes
11	68-3905	Cover Screw Pack ¹	1	Yes
Not Shown	916	Mortise Assy 16 Funtion ^{1,3}	1	Yes
	966	Mortise Assy 66 Function ^{1,3}	1	Yes
	68-2143	Screw Pack Standard	1	Yes
	68-2165	Screw Pack (12-)	1	Yes
	C908	Strike Pack LHRB (C908) ³	1	Yes
	C908	Strike Pack RHRB (C908) ³	1	Yes

1. Specify finish
2. Specify function
3. Specify hand



The warranty on SARGENT® products becomes void if the product is modified in any way, regardless of whether the modification causes or contributes to any alleged defect. If a SARGENT product is modified it may no longer meet industry certification and quality control standards applicable to the original product and is no longer a genuine SARGENT product.

Copyright ©2017 Sargent Manufacturing Company, an ASSA ABLOY Group company. All rights reserved. Reproduction in whole or in part without the express written permission of Sargent Manufacturing Company is prohibited.