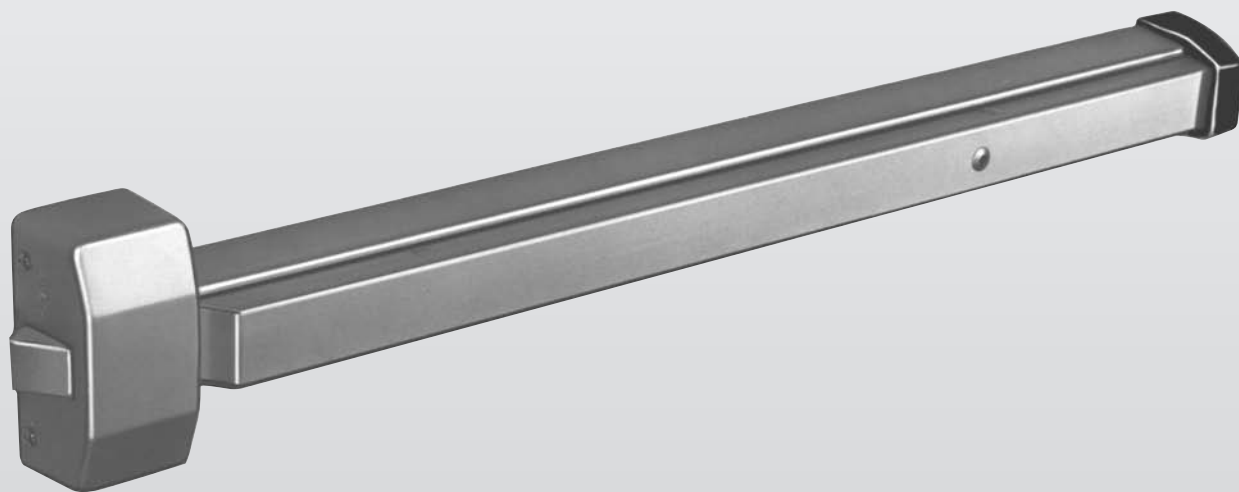


20 Series Exit Device



Mullions and Door Kits

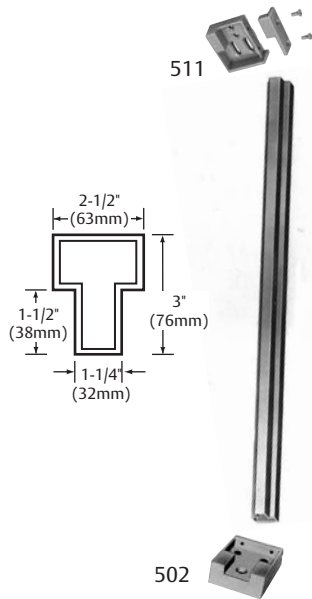
20 Series Exit Device

980 Removable Mullion

980 Extruded Aluminum (prime coat)
980A Aluminum (US28)

Consists of:

- Mullion
- 511 Top retainer
- 502 Bottom retainer
- 96" (2438mm) stock size; 120" (3000mm) available



12-980 Mullion (96" maximum)

For 12-2828

2"x 3" Channel Iron. Malleable iron top and bottom retainers.

- 96" (2438mm) stock size; 120" (3000mm) available
- 120" Mullions do not carry UL Fire label

Top Retainer Shim Kit - 601

Top Retainer 98-2190

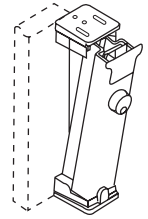


Bottom Retainer 98-2191



L980 Lockable Mullion

- Aluminum Prime Coat
- Specify: "L980A" Anodized Aluminum
Specify: "L980A x10B" for 313AN to match 10B
- Used for non fire rated applications
- 96" (2438mm) stock size
- 120" (3000mm) available
- Standard #41 cylinder (1-1/8")
- Cylinder options: Signature, XC-, Schlage Keyways SC- & SE- available
- Wall Mount Kit 98-2578
- Top Ret Pack 98-2526
- Bottom Ret Pack 98-2525
- Cylinder Kit must be ordered separate (980C1)



12-L980 Lockable Mullion

- Steel
- Fire rated for 8'0" x 8'0" (2438mm x 2438mm) paired openings
- 96" (2438mm) Stock Size
- 120" (3000mm) (non fire rated) available
- #41 cylinder standard
- Cylinder options: Signature, XC-, Schlage Keyways SC- & SE- available
- Top Retainer Shim Kit - 601
- Cylinder Kit must be ordered separate (980C1)

EL980 Electric Lockable Mullion

- Steel
- For use with monitor or electric strikes
- Quick-Connect wiring supplied
- 96" (2438mm) stock size
- 120" (3000mm) available
- Requires a #46 cylinder
- Top Retainer Shim Kit - 601
- Not available in 12- option
- Cylinder Kit must be ordered separate (980C2)

Mullion Accessories

RK980

Latchbolt assembly retrofit kit with top and bottom retainers for 980 mullion

Retainer Packs

Product #	Description
98-2526	Top Ret. pack for L980
98-2525	Bottom Ret. pack for L980
98-2558	Top Ret. pack for 12-L980
98-2556	Bottom Ret. pack for 12-L980
98-2559	Top Ret. pack for EL980

543 Stock Hollow Metal Door Kit

Kit consists of a 649 Strike Shim, a 161F Lock Front Filler, and a 865 Strike Filler for applying a 2828 Series Exit Device on doors prepared with Fed. Type 161 cutouts, and frames prepared for ANSI A115-2 Strikes.

The 649 strike shim is 1/8" (3mm) thick and is used to obtain the correct distance between the exit device case and the 649 surface applied strike, when the stop is 1/2" (13mm) high.



649 Strike Shim



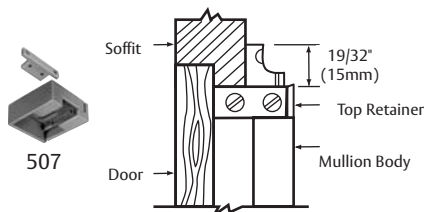
161 Lock Front Filler



865 Strike Filler

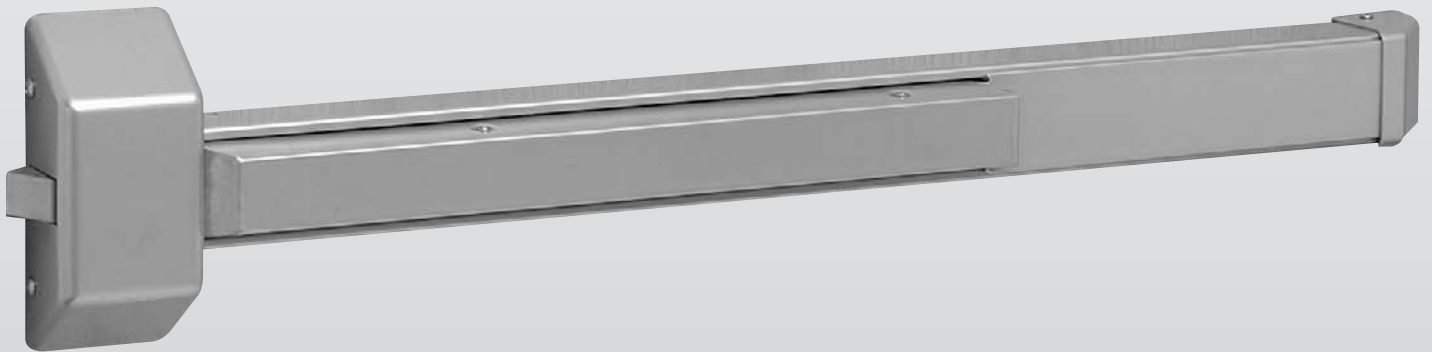
507 Adapter for Narrow Transom Bars

- Available with 980 and 980A
- Required when soffit is 1-1/4" (32mm) to 2" (51mm) wide



Note: For complete listing of available mullions, see the 80 Series Catalog

30 Series Exit Device



Mullions and Door Kits

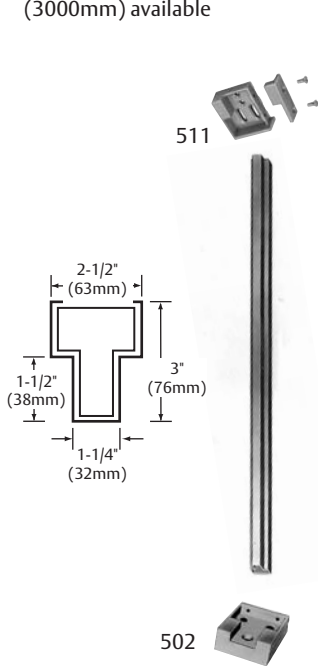
30 Series Exit Device

980 Removable Mullion

980 Extruded Aluminum (prime coat)
980A Aluminum (US28)

Consists of:

- Mullion
- 511 Top Retainer
- 502 Bottom Retainer
- 96" (2438mm) stock size; 120" (3000mm) available



12-980 Mullion (96" maximum)

For 12-3828

2" x 3" Channel Iron. Malleable iron top and bottom retainers.

- 96" (2438mm) stock size; 120" (3000mm) available
- 120" Mullions do not carry UL fire label

Top Retainer Shim Kit - 601

Top Retainer 98-2190



Bottom Retainer 98-2191

543 Stock Hollow Metal Door Kit

Kit consists of a 649 Strike Shim, a 161F Lock Front Filler, and a 865 Strike Filler for applying a 3828 Series Exit Device on doors prepared with Fed. Type 161 cutouts, and frames prepared for ANSI A115-2 Strikes.

The 649 strike shim is 1/8" (3mm) thick and is used to obtain the correct distance between the exit device case and the 649 surface applied strike, when the stop is 1/2" (13mm) high.



649 Strike Shim



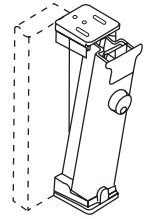
161 Lock Front Filler



865 Strike Filler

L980 Lockable Mullion

- Aluminum Prime Coat
- Specify: "L980A" Anodized Aluminum
Specify: "L980A x10B" for 313AN to match 10B
- Used for non fire rated applications
- 96" (2438mm) stock size
- 120" (3000mm) available
- Standard #41 cylinder (1-1/8")
- Cylinder options: Signature, XC-, Schlage Keyways SC- & SE- available
- Wall Mount Kit 98-2578
- Top Ret Pack 98-2526
- Bottom Ret Pack 98-2525
- Cylinder Kit must be ordered separately (980C1)



12-L980 Lockable Mullion

- Steel
- Fire rated for 8'0" x 8'0" (2438mm x 2438mm) paired openings
- 96" (2438mm) Stock Size
- 120" (3000mm) (Non Fire Rated) available
- #41 cylinder standard
- Cylinder options: Signature, XC-, Schlage Keyways SC- & SE- available
- Top Retainer Shim Kit - 601
- Cylinder Kit must be ordered separately (980C1)

EL980 Electric Lockable Mullion

- Steel
- For use with monitor or electric strikes
- Quick-Connect wiring supplied
- 96" (2438mm) stock size
- 120" (3000mm) available
- Requires a #46 cylinder
- Top Retainer Shim Kit - 601
- Not available in 12- option
- Cylinder Kit must be ordered separately (980C2)

Mullion Accessories

RK980

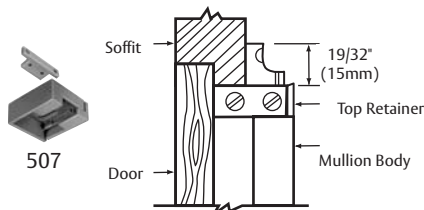
Latchbolt assembly retrofit kit with top and bottom retainers for 980 mullion

Retainer Packs

Product #	Description
98-2526	Top Ret. pack for L980
98-2525	Bottom Ret. pack for L980
98-2558	Top Ret. pack for 12-L980
98-2556	Bottom Ret. pack for 12-L980
98-2559	Top Ret. pack for EL980

507 Adapter for Narrow Transom Bars

- Available with 980 and 980A
- Required when soffit is 1-1/4" (32mm) to 2" (51mm) wide



Note: For complete Listing of available mullions, see the 80 Series Catalog