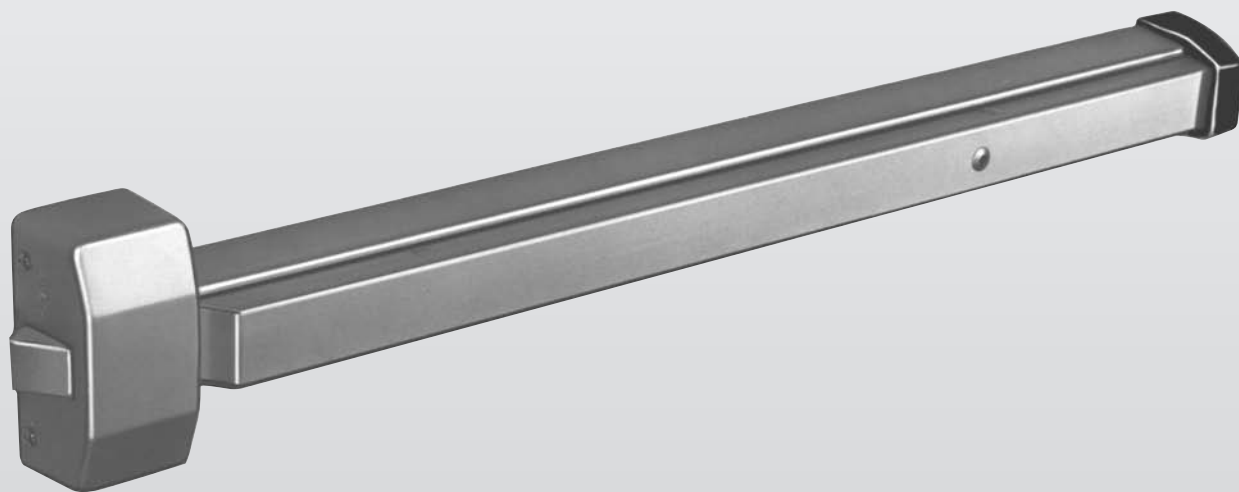


## 20 Series Exit Device



# Mullions and Door Kits

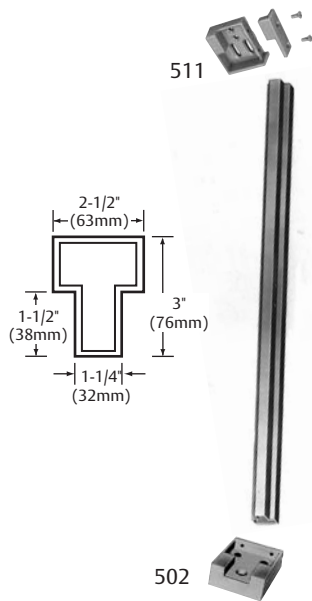
## 20 Series Exit Device

### 980 Removable Mullion

980 Extruded Aluminum (prime coat)  
980A Aluminum (US28)

Consists of:

- Mullion
- 511 Top retainer
- 502 Bottom retainer
- 96" (2438mm) stock size; 120" (3000mm) available



### 12-980 Mullion (96" maximum)

**For 12-2828**

2"x 3" Channel Iron. Malleable iron top and bottom retainers.

- 96" (2438mm) stock size; 120" (3000mm) available
- 120" Mullions do not carry UL Fire label

**Top Retainer Shim Kit - 601**

Top Retainer 98-2190



Bottom Retainer 98-2191

### 543 Stock Hollow Metal Door Kit

Kit consists of a 649 Strike Shim, a 161F Lock Front Filler, and a 865 Strike Filler for applying a 2828 Series Exit Device on doors prepared with Fed. Type 161 cutouts, and frames prepared for ANSI A115-2 Strikes.

The 649 strike shim is 1/8" (3mm) thick and is used to obtain the correct distance between the exit device case and the 649 surface applied strike, when the stop is 1/2" (13mm) high.



649  
Strike Shim



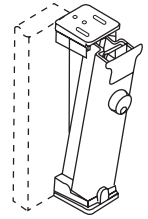
161  
Lock Front  
Filler



865  
Strike Filler

### L980 Lockable Mullion

- Aluminum Prime Coat
- Specify: "L980A" Anodized Aluminum  
Specify: "L980A x10B" for 313AN to match 10B
- Used for non fire rated applications
- 96" (2438mm) stock size
- 120" (3000mm) available
- Standard #41 cylinder (1-1/8")
- Cylinder options: Signature, XC-, Schlage Keyways SC- & SE- available
- Wall Mount Kit 98-2578
- Top Ret Pack 98-2526
- Bottom Ret Pack 98-2525
- Cylinder Kit must be ordered separate (980C1)



### 12-L980 Lockable Mullion

- Steel
- Fire rated for 8'0" x 8'0" (2438mm x 2438mm) paired openings
- 96" (2438mm) Stock Size
- 120" (3000mm) (non fire rated) available
- #41 cylinder standard
- Cylinder options: Signature, XC-, Schlage Keyways SC- & SE- available
- Top Retainer Shim Kit - 601
- Cylinder Kit must be ordered separate (980C1)

### EL980 Electric Lockable Mullion

- Steel
- For use with monitor or electric strikes
- Quick-Connect wiring supplied
- 96" (2438mm) stock size
- 120" (3000mm) available
- Requires a #46 cylinder
- Top Retainer Shim Kit - 601
- Not available in 12- option
- Cylinder Kit must be ordered separate (980C2)

### Mullion Accessories

#### RK980

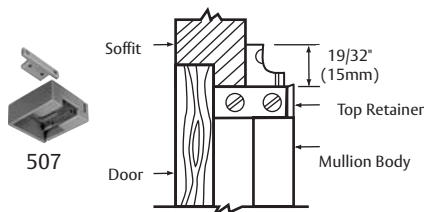
Latchbolt assembly retrofit kit with top and bottom retainers for 980 mullion

#### Retainer Packs

Product #	Description
98-2526	Top Ret. pack for L980
98-2525	Bottom Ret. pack for L980
98-2558	Top Ret. pack for 12-L980
98-2556	Bottom Ret. pack for 12-L980
98-2559	Top Ret. pack for EL980

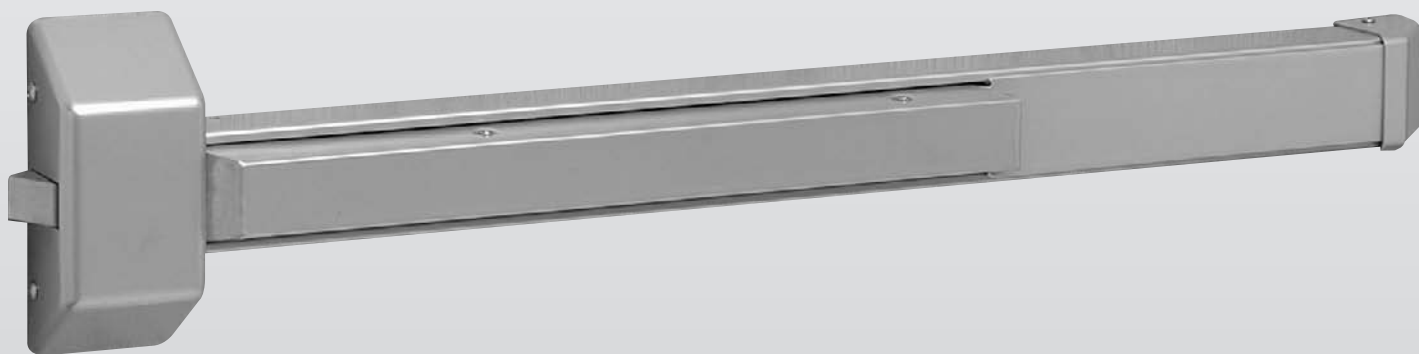
### 507 Adapter for Narrow Transom Bars

- Available with 980 and 980A
- Required when soffit is 1-1/4" (32mm) to 2" (51mm) wide



**Note:** For complete listing of available mullions, see the 80 Series Catalog

## 30 Series Exit Device



# Mullions and Door Kits

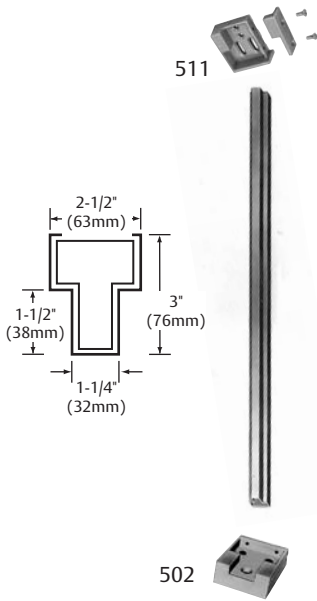
## 30 Series Exit Device

### 980 Removable Mullion

980 Extruded Aluminum (prime coat)  
980A Aluminum (US28)

Consists of:

- Mullion
- 511 Top Retainer
- 502 Bottom Retainer
- 96" (2438mm) stock size; 120" (3000mm) available



### 12-980 Mullion (96" maximum)

For 12-3828

2" x 3" Channel Iron. Malleable iron top and bottom retainers.

- 96" (2438mm) stock size; 120" (3000mm) available
- 120" Mullions do not carry UL fire label

Top Retainer Shim Kit - 601

Top Retainer 98-2190

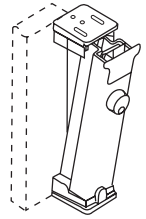


Bottom Retainer 98-2191



### L980 Lockable Mullion

- Aluminum Prime Coat
- Specify: "L980A" Anodized Aluminum  
Specify: "L980A x10B" for 313AN to match 10B
- Used for non fire rated applications
- 96" (2438mm) stock size
- 120" (3000mm) available
- Standard #41 cylinder (1-1/8")
- Cylinder options: Signature, XC-, Schlage Keyways SC- & SE- available
- Wall Mount Kit 98-2578
- Top Ret Pack 98-2526
- Bottom Ret Pack 98-2525
- Cylinder Kit must be ordered separately (980C1)



### 12-L980 Lockable Mullion

- Steel
- Fire rated for 8'0" x 8'0" (2438mm x 2438mm) paired openings
- 96" (2438mm) Stock Size
- 120" (3000mm) (Non Fire Rated) available
- #41 cylinder standard
- Cylinder options: Signature, XC-, Schlage Keyways SC- & SE- available
- Top Retainer Shim Kit - 601
- Cylinder Kit must be ordered separately (980C1)

### EL980 Electric Lockable Mullion

- Steel
- For use with monitor or electric strikes
- Quick-Connect wiring supplied
- 96" (2438mm) stock size
- 120" (3000mm) available
- Requires a #46 cylinder
- Top Retainer Shim Kit - 601
- Not available in 12- option
- Cylinder Kit must be ordered separately (980C2)

### Mullion Accessories

#### RK980

Latchbolt assembly retrofit kit with top and bottom retainers for 980 mullion

#### Retainer Packs

Product #	Description
98-2526	Top Ret. pack for L980
98-2525	Bottom Ret. pack for L980
98-2558	Top Ret. pack for 12-L980
98-2556	Bottom Ret. pack for 12-L980
98-2559	Top Ret. pack for EL980

### 543 Stock Hollow Metal Door Kit

Kit consists of a 649 Strike Shim, a 161F Lock Front Filler, and a 865 Strike Filler for applying a 3828 Series Exit Device on doors prepared with Fed. Type 161 cutouts, and frames prepared for ANSI A115-2 Strikes.

The 649 strike shim is 1/8" (3mm) thick and is used to obtain the correct distance between the exit device case and the 649 surface applied strike, when the stop is 1/2" (13mm) high.



649 Strike Shim



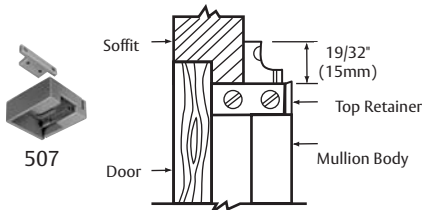
161 Lock Front Filler



865 Strike Filler

### 507 Adapter for Narrow Transom Bars

- Available with 980 and 980A
- Required when soffit is 1-1/4" (32mm) to 2" (51mm) wide



**Note:** For complete Listing of available mullions, see the 80 Series Catalog