

80 Series Parts Manual



For assistance, contact SARGENT at
800-727-5477 or www.sargentlock.com

Experience a safer
and more open world

Copyright © 2017-2021, SARGENT Manufacturing Company. All rights reserved. Reproduction in whole or in part without the express written permission of SARGENT Manufacturing Company is prohibited.

 **WARNING**

This product can expose you to lead which is known to the state of California to cause cancer and birth defects or other reproductive harm. For more information go to www.P65warnings.ca.gov.

A82311L 04/21

Auxiliary Controls

106

113

31-106

31-113

SARGENT®

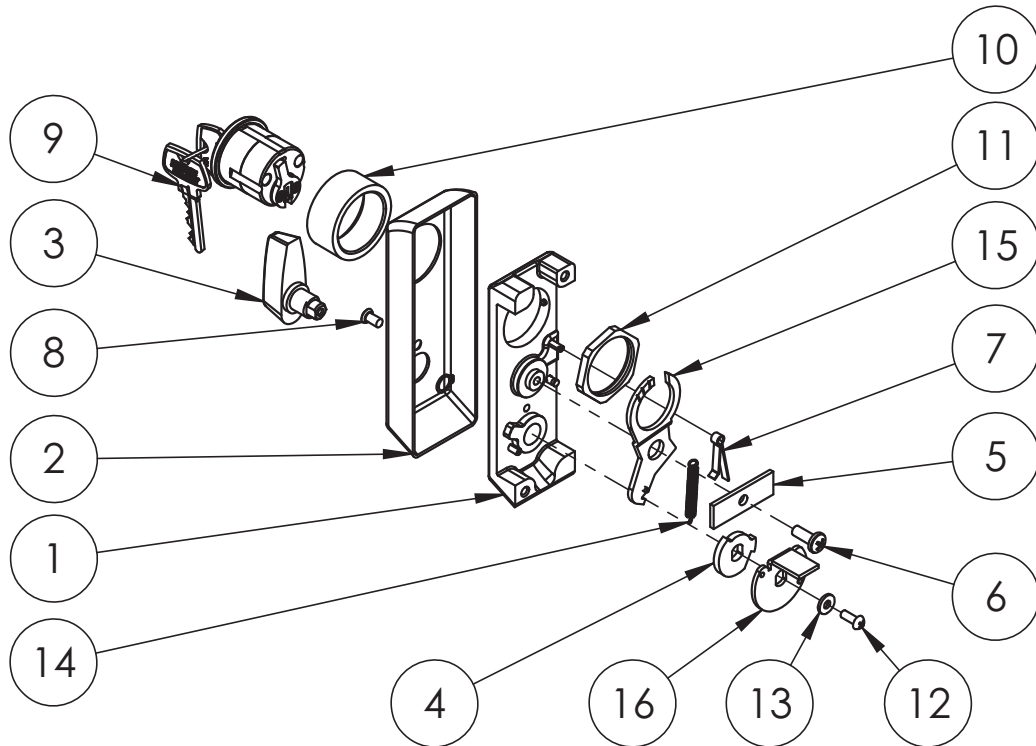
ASSA ABLOY

Function	Assembly No.	Description	Sellable
Night Latch	94-2093*	Standard	Yes
Classroom	94-2094*		Yes
Night Latch	94-2426*	Cladding	Yes
Classroom	94-2427*		Yes

Item	Part No.	Description	Qty	Sellable
1	94-2089	Chassis Subassembly	1	Yes
2	94-0119	Cover*	1	Yes
3	94-2121	Turn Lever Assembly*	1	Yes
4	94-0110	Cam	1	Yes
5	94-0051	Lever Locking Plate	1	Yes
6	32-1254	#10-24 x 1/2 PHMS	1	Yes
7	94-0054	Lever Spring	1	Yes
8	97-0052	#8-32 x 5/16 Ohms W/ #6 Head	1	Yes
9	—	Cylinder & Key Assembly*	1	Yes
10	97-0350	Cylinder Collar*	1	Yes
11	13-0180	Cylinder Nut	1	Yes
12	01-3582	#6-32 x 3/8 RHMS	1	Yes
13	01-0204	#6-32 x 3/8 Flat Washer	1	Yes
14	94-0109	Extension Spring	1	Yes
15	94-0114	Locking Lever	1	Yes
	94-2249	Locking Lever & Pin Assembly	1	Yes
16	94-2087	Lever Assembly for 1-3/4" - 2" door thickness	1	Yes
	94-2419	Lever Assembly for 2-1/4" door thickness	1	Yes
17	94-2448	H1 Aux Control Adapter Pack	1	Yes
18	94-2447	Wd Aux Control Adapter Pack	1	Yes

*Specify finish

The warranty on SARGENT® products becomes void if the product is modified in any way, regardless of whether the modification causes or contributes to any alleged defect. If a SARGENT product is modified it may no longer meet industry certification and quality control standards applicable to the original product and is no longer a genuine SARGENT product.



Auxiliary Controls

306

313

31-306

31-306

SARGENT®

ASSA ABLOY

Function	Assembly No.	Description	Sellable
Night Latch	94-2091*	Standard	Yes
Classroom	94-2092*		Yes
Night Latch	94-2428*	Cladding	Yes
Classroom	94-2429*		Yes

Item	Part No.	Description	Qty	Sellable
1	94-2089	Chassis Subassembly	1	Yes
2	94-0119	Cover*	1	Yes
3	94-2121	Turn Lever Assembly*	1	Yes
4	94-0110	Cam	1	Yes
5	94-0051	Lever Locking Plate	1	Yes
6	32-1254	#10-24 x 1/2 PHMS	1	Yes
7	94-0054	Lever Spring	1	Yes
8	97-0052	#8-32 x 5/16 Ohms W/ #6 Head	1	Yes
9	—	Cylinder & Key Assembly*	1	Yes
10	97-0350	Cylinder Collar*	1	Yes
11	13-0180	Cylinder Nut	1	Yes
12	01-3582	#6-32 x 3/8 RHMS	1	Yes
13	01-0204	#6-32 x 3/8 Flat Washer	1	Yes
14	94-0109	Extension Spring	1	Yes
15	94-0112	Locking Lever	1	Yes
	94-0114			Yes
16	94-2329	Lever Assembly	1	Yes
	94-2088			Yes
	94-2421			Yes
	94-2420			Yes
17	94-2448	H1 Aux Control Adapter Pack	1	Yes
18	94-2447	Wd Aux Control Adapter Pack	1	Yes

*Specify finish

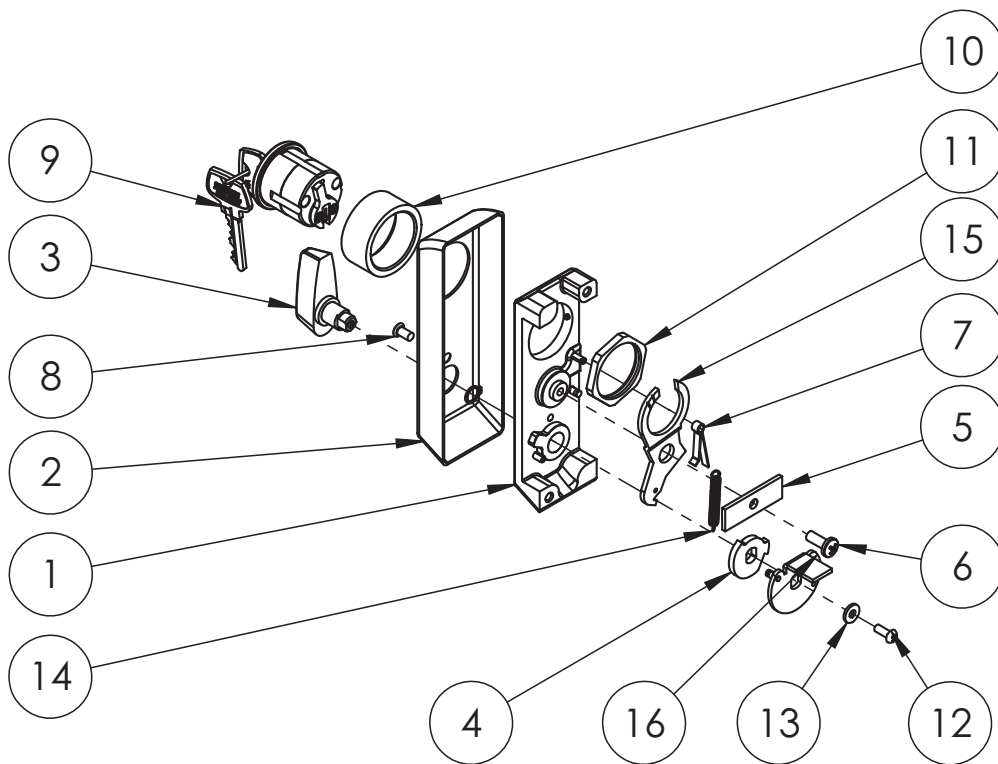
A8231.L 04/21

The warranty on SARGENT® products becomes void if the product is modified in any way, regardless of whether the modification causes or contributes to any alleged defect. If a SARGENT product is modified it may no longer meet industry certification and quality control standards applicable to the original product and is no longer a genuine SARGENT product.

168

Copyright © 2017-2021, SARGENT Manufacturing Company. All rights reserved. Reproduction in whole or in part without the express written permission of SARGENT Manufacturing Company is prohibited.

Experience a safer
and more open world



Auxiliary Controls
NB-306
NB-313



Function	Assembly No.	Description	Sellable
Night Latch	94-2093*	NB	Yes
Classroom	94-2094*		Yes

Item	Part No.	Description	Qty	Sellable
1	94-2372	Chassis Subassembly	1	Yes
2	94-0119	Cover*	1	Yes
3	94-2373	Turn Lever Assembly*	1	Yes
4	94-0185	Locking Hub	1	Yes
5	94-0051	Lever Locking Plate	1	Yes
6	32-1254	#10-24 x 1/2 PHMS	1	Yes
7	94-0054	Lever Spring	1	Yes
8	97-0052	#8-32 x 5/16 Ohms W/ #6 Head	1	Yes
9	—	Cylinder & Key Assembly*	1	Yes
10	97-0350	Cylinder Collar*	1	Yes
11	13-0180	Cylinder Nut	1	Yes
12	94-0114	Locking Lever	1	Yes
	94-2249	Locking Lever & Pin Assembly		Yes
13	94-0184	Tail Piece	1	Yes
14	94-0186	Space	1	Yes
15	01-4552	5/16 Retaining Ring	1	Yes
16	94-2448	H1 Aux Control Adapter Pack	1	Yes
17	94-2447	Wd Aux Control Adapter Pack	1	Yes

*Specify finish

A8231.L 04/21

The warranty on SARGENT® products becomes void if the product is modified in any way, regardless of whether the modification causes or contributes to any alleged defect. If a SARGENT product is modified it may no longer meet industry certification and quality control standards applicable to the original product and is no longer a genuine SARGENT product.

