

## 80 Series Parts Manual



For assistance, contact SARGENT at  
800-727-5477 or [www.sargentlock.com](http://www.sargentlock.com)

# Table of Contents



Chassis Assemblies

- 8300 .....4
- 8400 ..... 5-10
- 8500 ..... 11-12
- 8600 ..... 13-28
- 8700 ..... 29-52
- 8800 ..... 53-67
- 8900 ..... 68-69

900 Series Mortise Locks ..... 70-82

Rail Assemblies ..... 83-102

700 Series ET Control ..... 103-133

Auxiliary Controls ..... 134-136

The warranty on SARGENT® products becomes void if the product is modified in any way, regardless of whether the modification causes or contributes to any alleged defect. If a SARGENT product is modified it may no longer meet industry certification and quality control standards applicable to the original product and is no longer a genuine SARGENT product.

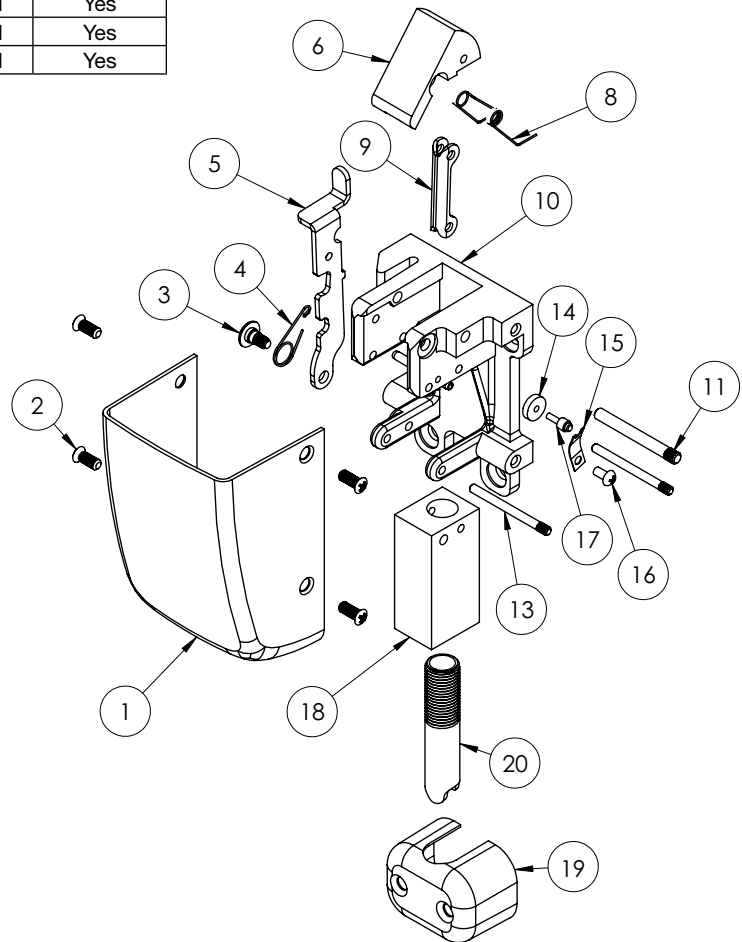
Copyright ©2017 Sargent Manufacturing Company, an ASSA ABLOY Group company. All rights reserved. Reproduction in whole or in part without the express written permission of Sargent Manufacturing Company is prohibited.

12-NB	8706	8710	8713
NB	8715	8740	8743
	8746	8773	8774

Function	Assembly No.	Description	Sellable
(All Functions)	68-3933	Top Case Assembly	Yes

Item	Assy No.	Part No.	Description	Qty	Sellable	
1	N/A	97-0392	Top Cover*	1	Yes	
2	N/A	68-3905	Screw Pack (B)*	1	Yes	
3	68-3933	97-0065	Latch Release Lever Pin	1	Yes	
4		97-0579	Spring, Torsion	1	Yes	
5		68-1155	Latch Retracting Lever	1	Yes	
6		68-1153	Top Case Latch Bolt	1	Yes	
7		01-0697	Spirol Pin	2	Yes	
8		97-0400	Top Case Spring	1	Yes	
9		68-1460	Link, Pivot	1	Yes	
10		97-0402	Top Chassis	1	Yes	
11		97-0394	Pivot Pin, Latch Bolt	1	Yes	
12		01-0461	Spirol Pin	1	Yes	
13		97-0294	Pivot Pin	2	Yes	
14		68-0991	Fusible Link	1	No	
15		68-0419	Guide Spring	1	No	
16		01-3563	#5-40 x 1/4 PH RD HD MS	1	No	
17		68-0420	Pin, Fire Stop	1	No	
18		68-1458	Top Rod Link	1	Yes	
19		N/A	97-0020	Rod Guide*	1	Yes
20		N/A	670T	Top Rod	1	Yes
21	N/A	646	Strike Pack	1	Yes	

\*Specify Finish



The warranty on SARGENT® products becomes void if the product is modified in any way, regardless of whether the modification causes or contributes to any alleged defect. If a SARGENT product is modified it may no longer meet industry certification and quality control standards applicable to the original product and is no longer a genuine SARGENT product.

Copyright ©2017 Sargent Manufacturing Company, an ASSA ABLOY Group company. All rights reserved. Reproduction in whole or in part without the express written permission of Sargent Manufacturing Company is prohibited.