

# 80 Series








## Exit Device



Copyright © 1998-2021, SARGENT Manufacturing Company. All rights reserved. Reproduction in whole or in part without the express written permission of SARGENT Manufacturing Company is prohibited. Patent pending and/or patent [www.assaabloydss.com/patents](http://www.assaabloydss.com/patents).

# Table of Contents

80 Series

<b>Features and Innovations</b> .....	6
<b>UL Fire Door Ratings and Opening Sizes</b> .....	6
<b>Windstorm Certifications</b> .....	7
<b>Rim Exit Device for Wide Stile Doors (Panic &amp; Fire Rated)</b>	
 8888/8810 Multi-Function Rim Exit Devices & Trims .....	8-9
8800 Rim Exit Devices .....	10
8800 Functions & Trims .....	11
<b>Mortise Lock Exit Device for Wide Stile Doors (Panic &amp; Fire Rated)</b>	
 8900 Mortise Exit Devices .....	12
8900 Functions & Trims .....	13
<b>Surface Vertical Rod Exit Device for Wide Stile Doors (Panic &amp; Fire Rated)</b>	
 8700 SVR Exit Devices .....	14
8700 Functions & Trims .....	15
NB8700 Less Bottom Rod SVR Exit Devices .....	16
NB8700 Functions & Trims .....	17
<b>Concealed Vertical Rod Exit Device for Wide Stile Doors (Panic &amp; Fire Rated)</b>	
 MD8600 (Windstorm Rated) & NB-MD8600 Concealed Vertical Rod Exit Device for Metal Doors .....	18
MD8600 & NB-MD8600 Functions & Trims .....	19
AD8600 & NB-AD8600 CVR Devices for Aluminum Doors .....	20
AD8600 & NB-AD8600 Functions & Trims .....	21
WD8600 & NB-WD8600 CVR Devices for Wood Doors .....	22
WD8600 & NB-WD8600 Functions & Trims .....	23
<b>Narrow Design Rim Exit Device for Wide &amp; Narrow Door Stiles (Panic &amp; Fire Rated)</b>	
 8500 Rim Exit Devices .....	24
8500 Functions & Trims .....	25
AD8500 Narrow Design Rim Exit Device for Aluminum Doors .....	26
AD8500 Functions & Trims .....	27
<b>Narrow Design Mortise Lock Exit Device for Wide Door Stiles (Panic &amp; Fire Rated)</b>	
 8300 Mortise Exit Devices .....	28
8300 Functions & Trims .....	29
<b>Narrow Design Concealed Vertical Rod Exit Device for Wide &amp; Narrow Stiles (Panic &amp; Fire Rated)</b>	
 MD8400 & NB-MD8400 Narrow Stile CVR Devices for Metal Doors .....	30
MD8400 & NB-MD8400 Functions & Trims .....	31
AD8400 & NB-AD8400 Narrow Stile CVR Devices for Aluminum Doors .....	32
AD8400 & NB-AD8400 Functions & Trims for Aluminum Doors .....	33

Copyright © 1998-2021, SARGENT Manufacturing Company. All rights reserved. Reproduction in whole or in part without the express written permission of SARGENT Manufacturing Company is prohibited. Patent pending and/or patent: www.assaabloydss.com/patents.

# Table of Contents

## 80 Series

### Low Profile Center & Top Latching Vertical Rod Exit Device (Panic & Fire Rated)



LP8600 & LR8600 Center & Top Latching Exit Devices for Pairs of Doors . . . . .	34
LP8600/LR8600 Functions & Trims for Pairs of Doors . . . . .	35
LS8600 Center and Top Latching Vertical Rod for Single Door Applications . . . . .	36
LS8600 Functions & Trims for Single Doors. . . . .	37

### UL Listed Windstorm Products

MD8600 & NB-MD8600 Concealed Vertical Rod Exit Devices: UL Hurricane-Resistant. . . . .	38-39
HC8800 Rim Exit Devices: UL Listed Hurricane-Resistant . . . . .	40-41
WS8800 Rim Exit Devices: UL Listed Hurricane-Resistant . . . . .	42-43
WS8900 Mortise Exit Device: UL Listed Hurricane-Resistant. . . . .	44-45
HC4-8700 SVR Exit Devices: UL Listed Hurricane-Resistant (up to 150 psf) . . . . .	46-47
HC8700 SVR Exit Devices: UL Listed Hurricane-Resistant (up to 65 psf) . . . . .	48-49
FM8700 2-Point SVR Exit Device: UL Listed Tornado-Resistant ICC500 (2014). . . . .	50-51

### Electrical Options

ElectroLynx® Information & Option Compatibility Chart . . . . .	52
Security Shim Kit Option . . . . .	53
SARGuide PL- & TL- Options & Latch Bolt Monitoring Option (53-) . . . . .	54
Alarm (AL-) Option & Request-to-Exit (55-) Option . . . . .	55
Electric Latch Retraction Option (56-) . . . . .	56
Electric Latch Retraction Motor Kits & Push Rail Kits . . . . .	57
Delayed Egress Option (57-) & Electro-Magnets. . . . .	58-59
Electric Dogging (58-) . . . . .	60
ElectroGuard Delayed Egress Option (59-) . . . . .	61
Electrified & Monitored (54-) ET Trims & Power Supplies . . . . .	62

### Lever and Trim Designs

ET Trim, Levers and Pulls . . . . .	63
Coastal Series Levers & Thumbpiece Pulls . . . . .	64
Studio Collection Levers . . . . .	65-66
Ordering Gramercy Series Levers . . . . .	67
Anti-Vandal Trim, 988 Surface Bolt, ET Plates & Dummy Rails . . . . .	68

### Miscellaneous

Cylinder Information . . . . .	69
Mullions: Aluminum, Steel & Electrified. . . . .	70
Mullion Accessories and Stabilizers . . . . .	71
Through-bolt Kits, Rod Extensions and Shim Kits . . . . .	72
Door Coordinators, End Caps and Cylinder Dogging Kits . . . . .	73
Rail Sizes and How to Order ET Trim . . . . .	74
Mechanical Options & Descriptions. . . . .	75
Cylinder Options & Descriptions . . . . .	76
How to Order. . . . .	77
Finishes & Finish Care . . . . .	78
Architectural Specifications . . . . .	79

# Features and Innovations

## 80 Series

SARGENT manufactures a full line of exit devices including vertical rod, rim and mortise for both standard and narrow stile doors. These devices provide the best combination of simplicity, strength, durability, aesthetics and innovation and are perfect for applications such as commercial office buildings, medical and educational institutions.

### Simplicity

- Easy installation and maintenance-free design
- “True” architectural hardware finishes consistent with BHMA/ANSI standards
- Few moving parts – less wear
- Modular construction

### Hurricane-Resistant Products and Certifications

- UL Certified Latching Hardware and Assemblies (ZHEM & ZHLL)
- Product-specific detailed certifications and listings
- Available with Rim, Mortise, SVR & CVR devices

### Security

- Double cylinder functions available
- Torx® and spanner screws
- Anti-vandal trim options
- Master keying with SARGENT Security Key systems available (Signature, Keso F1, Keso and XC)

### Strength & Durability

- Made of finest component materials
- Heavy duty mounting construction
- Built to withstand abusive conditions
- 5 Year warranty

### Innovation

- Broad offering of electro-mechanical solutions for the most demanding access/egress control applications
- **MicroShield®** anti-microbial finish coating offers a new level of protection
- **SARGuide™** exit device contains an electroluminescent touchpad to enhance the visibility of exit locations in dark or smoke-filled passages and effectively improve the safety of any public building
- CTL (Center and Top Latching) Vertical Rod Devices offer less bottom rod convenience with true center latching for added security

### EcoFlex®



- Reduces energy consumption up to 95% for exit trim, as certified by Green Circle, which lowers operating costs; assists with load reduction in optimizing energy performance credit in LEED, and reduces the number of power supplies requires.
- Field configurable to fail-safe or fail-secure, and operates from 12-24VDC, offering greater flexibility in system design.
- Innovative actuator design provides superior reliability through higher performance and reduced maintenance; the ability to have longer cable runs without negatively impacting lock function. It reduces the risk of voltage drops and eliminates inductive kickback, and lowers the total cost of owner ship.

### MicroShield® Coating

#### MicroShield®

ASSA ABLOY Group companies offer MicroShield®, an anti-microbial coating for door hardware. MicroShield uses proven silver ion-based technology from Agion®, a leading provider of antimicrobial solutions, to stem the spread of bacteria and other microbes.

MicroShield® is a trademark of the respective ASSA ABLOY Group company.



The Agion antimicrobial is not intended as a substitute for good hygiene. Coated products must still be cleaned to ensure the surfaces will be free of destructive microbes. ASSA ABLOY makes no representations or warranties, express or implied, as to the efficacy of the Agion antimicrobial. A copy of the Agion warranty is available upon request. Agion is a registered trademark of Agion Technologies, Inc., Wakefield, MA, USA.



The TL- SARGuide Electroluminescent exit device increases visibility of exit locations in dark or smoke-filled passages, supplementing existing codes for egress lighting.

- SARGuide utilizes state-of-the-art FLATLITE electroluminescent lighting from E-Lite Technologies Inc.
- Can be wired in conjunction with Fire Alarm system or can be wired for continuous operation.
- UL Listed for use on panic (UL 305) and fire-rated (UL 10C) exit devices.

The PL- SARGuide Photoluminescent Exit Device is a non electrical option which produces visible EXIT signage in darkness or low lit areas.

- Approved for use in New York City in accordance with RS 6-1 and RS 6-1A.
- Recharges from ambient light.
- No wiring or maintenance needed.



Experience a safer  
and more open world

# UL Fire Door Ratings and Openings Sizes

80 Series

**SARGENT**  
**ASSA ABLOY**

## Maximum Door Opening-Fire Doors

Type	Exit Device	Door Material	Single Door	with 12-HC980 or 12-980 or 12-HCL980 Mullion	with 12-L980	with 12-HD980 Mullion	VR/VR Doors Swing Same Direction	SVR/Mortise Doors Swing Same Direction	CVR/Mortise MD Doors Swing Same Direction	CVR/Mortise WD Doors Swing Same Direction	VR/VR Double Egress
Rim	12-8800	Metal	3 Hour 4' x 10'	3 Hour 8' x 8'	1.5 Hour 8' x 8'	3 Hour 8' x 10'	—	—	—	—	—
	12-8500	Metal	3 Hour 4' x 8'	3 Hour 8' x 8'	1.5 Hour 8' x 8'	3 Hour 8' x 8'	—	—	—	—	—
Mortise Lock	12-8900	Metal	3 Hour 4' x 10'	—	—	—	—	3 Hour 8' x 8'	3 Hour 8' x 10'	—	—
	12-8300	Metal	3 Hour 4' x 10'	—	—	—	—	—	3 Hour 8' x 10'	—	—
SVR	12-FM8700	Metal	3 Hour 4' x 8'	—	—	—	3 Hour 8' x 8'	—	—	—	—
	12-8700	Metal	—	—	—	—	3 Hour 8' x 8'	3 Hour 8' x 8'	—	—	3 Hour 8' x 8'
	12-NB8700	Metal	—	—	—	—	3 Hour 8' x 10'	—	—	—	3 Hour 8' x 10'
CVR	12-MD8600	Metal	—	—	—	—	3 Hour 8' x 10'	—	3 Hour 8' x 10'	—	3 Hour 8' x 10'
	12-NB-MD8600	Metal	—	—	—	—	3 Hour 8' x 10'	—	—	—	3 Hour 8' x 10'
	12-MD8400	Metal	—	—	—	—	3 Hour 8' x 10'	—	3 Hour 8' x 10'	—	3 Hour 8' x 10'
	12-NB-MD8400	Metal	—	—	—	—	3 Hour 8' x 10'	—	—	—	3 Hour 8' x 10'
CVR/Mortise	12-LS8600	Metal	3 Hour 4' x 10'	—	—	—	—	—	—	—	—
	12-LP8600 & 12-LR8600	Metal	—	—	—	—	3 Hour 8' x 10'	—	—	—	3 Hour 8' x 10'

Any retrofit or other field modification to a fire rated opening can potentially impact the fire rating of the opening, and Sargent Manufacturing Company makes no representations or warranties concerning what such impact may be in any specific situation. When retrofitting any portion of an existing fire rated opening, or specifying and installing a new fire-rated opening, please consult with a code specialist or local code official (Authority Having Jurisdiction) to ensure compliance with all applicable codes and ratings.

### Notes:

- Please contact door manufacturer for specifications regarding fire door construction.
- Consult wood door manufacturers for current UL listing.

Copyright © 1998-2021, SARGENT Manufacturing Company. All rights reserved. Reproduction in whole or in part without the express written permission of SARGENT Manufacturing Company is prohibited. Patent pending and/or patent www.assaabloydss.com/patents.

### Windstorm Certifications: Florida Building Codes & UL Listings

SARGENT Manufacturing's products meet building codes that require hurricane, windstorm and FEMA certifications, including some of the most stringent building codes as specified in the Florida Building Code, Miami Dade Code and the International Building Code. Listed below are certifications and standards met by the 80 Series lock.

#### Florida Building Code: FL2998

#### UL Certification Directory: ZHEM.R21744 – Latching Hardware

ANSI/SDI-BHMA A250.13	"Testing and Rating of Severe Windstorm Resistant Components for Swinging Door Assemblies"
ANSI/ASTM E330	"Standard Test Method for Structural Performance of Exterior Windows, Doors, Skylights and Curtain Walls by Uniform Static Air Pressure Difference"
ANSI/ASTM E1886	"Standard Test Method for Performance of Exterior Windows, Curtain Walls, Doors, and Impact Protective Systems Impacted by Missile(s) and Exposed to Cyclic Pressure Differentials"
ASTM E1996	"Standard Specification for Performance of Exterior Windows, Curtain Walls, Doors and Impact Protective Systems Impacted by Windborne Debris in Hurricanes"
(TAS) 201	"Impact Test Procedures"*
(TAS) 202	"Standard Test Method for Structural Performance of Exterior Windows, Doors, Skylights and Curtain Walls by Uniform Static Air Pressure Difference"
(TAS) 203	"Criteria for Testing Products Subject to Cyclic Wind Pressure Loading"**

\* Published in the "Florida Building Code"

Any retrofit or other field modification to a fire rated opening can potentially impact the fire rating of the opening, and Sargent Manufacturing Company makes no representations or warranties concerning what such impact may be in any specific situation. When retrofitting any portion of an existing fire rated opening, or specifying and installing a new fire-rated opening, please consult with a code specialist or local code official (Authority Having Jurisdiction) to ensure compliance with all applicable codes and ratings.

#### UL Certification Directory: ZHLL.R21744 – Products for Use in Windstorm-rated Assemblies

Certifications to meet assembly requirements are done in conjunction with doors from ASSA ABLOY Group companies CECO DOOR and CURRIES.

ASTM E330	"Standard Test Method for Structural Performance of Exterior Windows, Doors, Skylights and Curtain Walls by Uniform Static Air Pressure Difference"
ANSI/ASTM E1886	"Standard Test Method for Performance of Exterior Windows, Curtain Walls, Doors, and Impact Protective Systems Impacted by Missile(s) and Exposed to Cyclic Pressure Differentials"
ASTM E1996	"Standard Specification for Performance of Exterior Windows, Curtain Walls, Doors and Impact Protective Systems Impacted by Windborne Debris in Hurricanes"
AAMA/WDMA/CSA 101/I.S.2/A440	"Standard/Specification for Windows, Doors, and Unit Skylights"
FEMA Publication 320 (2014)	"Taking Shelter From the Storm: Building a Safe Room for Your Home or Small Business", investigated with respect to impact and pressure requirements only.
FEMA Publication 361 (2015)	"Design and Construction Guidance for Community Safe Rooms", investigated with respect to impact and pressure requirements only.
ICC 500 (2014)	"ICC/NSSA Standard for the Design and Construction of Storm Shelters", investigated with respect to impact and pressure testing. Minimum missile impact speeds vary with the design wind speed desired for a particular product. The information below correlates design wind speed to the minimum missile speeds as discussed in Table 305.1.1 of ICC 500

Any retrofit or other field modification to a fire rated opening can potentially impact the fire rating of the opening, and Sargent Manufacturing Company makes no representations or warranties concerning what such impact may be in any specific situation. When retrofitting any portion of an existing fire rated opening, or specifying and installing a new fire-rated opening, please consult with a code specialist or local code official (Authority Having Jurisdiction) to ensure compliance with all applicable codes and ratings.

Copyright © 1998-2021, SARGENT Manufacturing Company. All rights reserved. Reproduction in whole or in part without the express written permission of SARGENT Manufacturing Company is prohibited. Patent pending and/or patent: www.assaabloydss.com/patents.

# 8500 Narrow Design Rim Exit Device

80 Series

**SARGENT**  
**ASSA ABLOY**



**8500 Series**  
**Narrow Design Rim Exit Device**

## Specifications for 8500 Series Exit

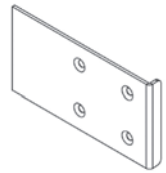
Door Type	Wood or metal Doors
Door Thickness	1-3/4" (44mm) minimum thickness. For doors over 1-3/4" to 2-1/4" thick, specify thickness and order as 31-
Stile	2" (114mm) minimum stile (Less Trim)
Rail sizes as determined by door width	Rails are available in 4 sizes, use door width to determine size needed. Rails will be factory cut to size, if door width is supplied <ul style="list-style-type: none"> <li>• E Rail for 24" to 32" door widths</li> <li>• F Rail for 33" to 36" door widths</li> <li>• J Rail for 37" to 42" door widths</li> <li>• G Rail for 43" to 48" door widths</li> </ul>
Strike	657 Strike, Supplied standard for panic devices 656 Strike, Supplied standard for panic devices 649 Strike, Supplied standard for fired rated devices Optional Strikes – 649, 658 Standard with 650A Mullion
Dogging Feature	Hex key dogging standard on non fired rated devices; specify 16- for cylinder dogging (#41 cylinder supplied)
Electric Options	AL- Alarm PL- SARGuide™ Photoluminescent Coated TL- SARGuide™ Illuminated Touchpad 53- LX Latchbolt Monitor 54- Outside Lever Monitoring 55- Request-to-Exit Signal - Rail Monitoring 56- Remote Latch Retraction 57- Delay Egress & Electromagnets 58- Electric Dogging 59- Electroguard – Self Contained Delayed Egress
Mounting Fasteners	Supplied standard with wood and machine screws Available with through-bolts and mortise (sex) nuts
Latch Bolt	Stainless steel, 3/4" (19mm) throw
Device Centerline from Finished Floor	41" (1041 mm) for Standard Applications
Center Case Dimensions	8-5/16" (211mm) x 1-1/16" (27mm)
Projection	Pushbar Neutral – 3" (77mm) Pushbar Depressed – 2-1/8" (54mm)
Fire Exit Hardware	See Chart – Page 6

## 8500 Features

- Designed for narrow stile applications (e.g., aluminum frame full glass doors)
- Single and double doors with mullion
- Single point rim latching device
- Quiet operation and solid security
- Devices are ANSI/BHMA A156.3 - Grade 1
- UL10C (Fire) and UL305 (Panic) listed

## 604 Wear Plate Kit

- Designed for use with narrow stile aluminum doors
- Field cut to accommodate all door frame face sizes



## 649 Standard Strike for 12-8500



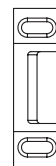
- Surface applied
- Black nylon coated

## 651 Mullion Stabilizer Kit

- Stabilizer block
- Furnished standard w/650A Mullion
- Order as a 651 Kit



## 656 Mullion Strike



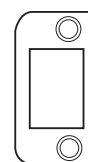
- Surface applied
- Use with 980 mullions
- Black nylon coated

## 657 Standard Strike for 8500



- Surface applied or mortised
- For use on frames with blade stop or integral stop
- Black nylon coated

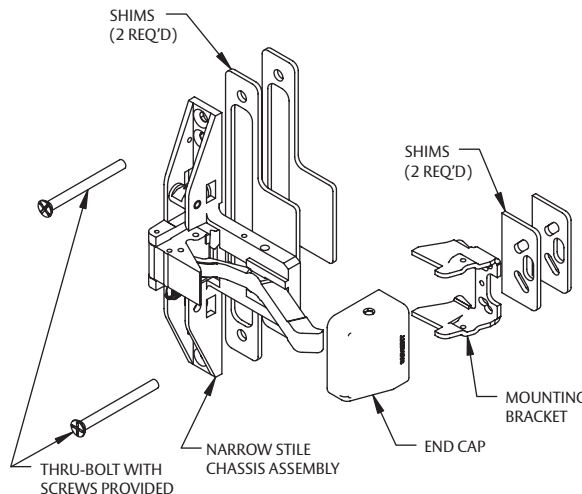
## 658 Strike alternative for 8500



- Packed standard with 650A mullion
- Can be ordered separately for surface application to frames
- Black nylon coated

## 668 Shim Kits for 8500

- Two Chassis Shims and Two End Cap Shims
- Shims are 1/8" for a total height of 1/4"



Copyright © 1998-2021, SARGENT Manufacturing Company. All rights reserved. Reproduction in whole or in part without the express written permission of SARGENT Manufacturing Company is prohibited. Patent pending and/or patent www.assaabloydcs.com/patents.

90641 10/21



# 8500 Narrow Design Rim Exit Device Functions & Trim

**SARGENT**  
**ASSA ABLOY**

## 80 Series

<b>How to order:</b>	<b>Options</b> F1-83-56	<b>Series</b> 85	<b>Function</b> 13	<b>Rail Lgth</b> F	<b>Trim</b> ETL	<b>Hand</b> RHR	<b>Outside Finish</b> 15	<b>Inside Finish</b> 32D	<b>Door Width</b> 36"
----------------------	----------------------------	---------------------	-----------------------	-----------------------	--------------------	--------------------	-----------------------------	-----------------------------	--------------------------

### 700 Series ET Trim



Exits with ET Trim, specify lever design after the ET designation (e.g., ETL)

### Lever Designs for ET Controls

A, B, E, F, J, L, P, W

Also available with Coastal Series & Studio Collection Levers

### ET Designation with Suffix (Used to order ET without device)

8500 Series: 704, 706-8, 710, 713-8, 715-8, 740, 743-8, 744, 746-8, 773-8 & 774-8

### Freewheeling Trim

The lever rotates when the door is locked preventing excessive force from being applied to the horizontal lever

### Electrified ET Trim

Voltage must be specified for the following functions: 73 and 74.  
Specify: 12VDC or 24VDC

SARGENT Function Numbers	ANSI Function Numbers	Description & Cylinder Info. (1-3/4" Door)	ANSI Type 4 8500 Panic
04*	03	Night Latch Key Retracts Latch #34 Cylinder Supplied	8504 x ET_
06	09	Key unlocks Trim, Trim retracts latch/ Trim relocks when key is removed #41 Cylinder Supplied	8506 x ET_
10	01	No outside operation (No Cylinder)	8510
10	02	No outside operation (No Cylinder) ET Control is used as Pull Only	8510 x ET_
13	08	Key Outside Unlocks/locks Trim #41 Cylinder Supplied	8513 x ET_
15	14	Passage Only (No cylinder)	8515 x ET_
40	02	Freewheeling Trim - No outside operation (No Cylinder) Dummy Trim	8540 x ET_
43	08	Freewheeling Trim - Key Outside Unlocks/locks Trim #41 Cylinder Supplied	8543 x ET_
44	03	Freewheeling Trim - Key Retracts Latch #34 Cylinder Supplied	8544 x ET_
46	09	Freewheeling Trim - Key unlocks Trim, Trim retracts latch/ Trim relocks when key is removed #41 Cylinder Supplied	8546 x ET_
73		Electrified ET Trim - Fail Safe Power Off, Unlocks Lever (No Cylinder)**	8573 x ET_
74		Electrified ET Trim - Fail Secure Power Off, Locks Lever (No Cylinder)**	8574 x ET_

**Note:** Exit devices are available in all standard finishes, except 14, 15, 26 & 26D. With these finishes, exit devices are supplied in 32 or 32D to match accordingly. 32 or 32D is automatically supplied when 26 or 26D is specified. For nickel finishes, specify 14/32 or 15/32D to receive nickel finished trims and stainless exit devices

\* Consult factory when using with cylinders from other manufacturers

\*\* Cylinder override is not available with 8500 Series Devices

Options
8500
<b>Mechanical Options:</b>
12- 16- 19- 31- 36- 37- 43- 53- 54- 55- 56- 56-HK- 57- 58- 59- 5CH- BC-59- 76- 85- 86- 87- AL- BT- CPC- GL- LD- PL- * SG- TL-
<b>Cylinder Options:</b>
10- 10-21- 10-63- 11- 11-21- 11-60- 11-63- 11-64- 11-70-7P- 11-72-7P- 11-73-7P- 11-65-73-7P- 21- 22- 51- 52- 60- 63- 64- 70- 72- 73- 65-73- 65-73-7P- 73-7P- 81- 82- F1-82- 83- F1-83- 84- BR- LC- SC- SE-

\* Only available with 15, 26D and 32D finishes

### Trim designations

### Series



8500 Panic

Pull Trim Section	SARGENT Function Numbers	ANSI Function Numbers	Description & Cylinder Info. (1-3/4" Door)
<p>862 Pull</p>	04	03	Night Latch Key Retracts Latch #34 Cylinder Supplied
	10	02	862 Pull Only (Optional Pulls: 863 & 864)

### Available Finishes

SARGENT Finishes	BHMA Finishes
03	605
04	606
09	611
10	612
10B	613
10BE	613E
10BL	613L
14	618
15	619
20D	624
26	625
26D	626
32	629
32D	630
BSP	—
WSP	—

Experience a safer  
and more open world

1-800-727-5477 • www.sargentlock.com

25

Copyright © 1998-2021, SARGENT Manufacturing Company. All rights reserved. Reproduction in whole or in part without the express written permission of SARGENT Manufacturing Company is prohibited. Patent pending and/or patent: www.assaabloydss.com/patents.

10/21 90641

# AD8500 Narrow Design Rim Exit Device for Aluminum Doors

80 Series

**SARGENT**  
**ASSA ABLOY**



**AD8500 Series  
Narrow Design Rim Exit Device**

## AD8500 Features

- Designed for narrow stile applications (e.g., aluminum frame full glass doors)
- Single and double doors with mullion
- Single point rim latching device
- Quiet operation and solid security
- Devices are ANSI/BHMA A156.3 - Grade 1
- Available Windstorm-rated; order WS-

## Specifications for AD8500 Series Exit

Door Type	Aluminum Doors
Door Thickness	1-3/4" (44mm) minimum thickness. For doors over 1-3/4" to 2 1/4" thick, specify thickness and order as 31-
Stile	2" (114mm) minimum stile (Less Trim)
Rail sizes as determined by door width	Rails are available in 4 sizes, use door width to determine size needed. Rails will be factory cut to size, if door width is supplied <ul style="list-style-type: none"> <li>• E Rail for 24" to 32" door widths</li> <li>• F Rail for 33" to 36" door widths</li> <li>• J Rail for 37" to 42" door widths</li> <li>• G Rail for 43" to 48" door widths</li> </ul>
Strike	657 Strike, Supplied standard for panic devices 656 Strike, Supplied standard for panic devices 649 Strike, Supplied standard for fired rated devices Optional Strikes – 649, 658 Standard with 650A Mullion
Dogging Feature	Hex key dogging standard; specify 16- for cylinder dogging (#41 cylinder supplied)
Electric Options	AL- Alarm PL- SARGuide™ Photoluminescent Coated TL- SARGuide™ Illuminated Touchpad 53- LX Latchbolt Monitor 54- Outside Lever Monitoring 55- Request-to-Exit Signal - Rail Monitoring 56- Remote Latch Retraction 57- Delay Egress & Electromagnets 58- Electric Dogging 59- Electroguard – Self Contained Delayed Egress
Mounting Fasteners	Supplied standard with wood and machine screws Available with through-bolts and mortise (sex) nuts
Latch Bolt	Stainless steel, 3/4" (19mm) throw
Device Centerline from Finished Floor	41" (1041 mm) for Standard Applications
Center Case Dimensions	8-5/16" (211mm) x 1-1/16" (27mm)
Projection	Pushbar Neutral – 3" (77mm) Pushbar Depressed – 2-1/8" (54mm)

## 657 Standard Strike for 8500



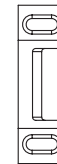
- Surface applied or mortised
- For use on frames with blade stop or integral stop
- Black nylon coated

## 651 Mullion Stabilizer Kit



- Stabilizer block
- Furnished standard w/650A Mullion
- Order as a 651 Kit

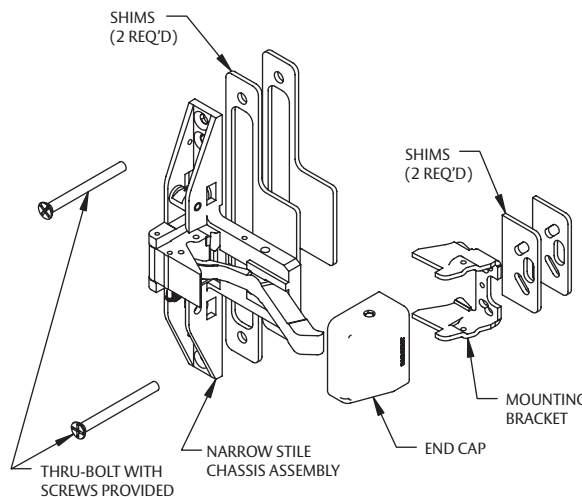
## 656 Mullion Strike



- Surface applied
- Use with 980 mullions
- Black nylon coated

## 535 Kit for Windstorm Applications (WS-AD8500)

- Two Chassis Shims and Two End Cap Shims
- Shims are 1/8" for a total height of 1/4"
- 649 Strike Pack
- 651 Stabilizer Kit



## 604 Wear Plate Kit



- Surface applied
- Accommodates all sizes of door frame face

Copyright © 1998-2021, SARGENT Manufacturing Company. All rights reserved. Reproduction in whole or in part without the express written permission of SARGENT Manufacturing Company is prohibited. Patent pending and/or patent www.assaabloydss.com/patents.

90641 10/21

# AD8500 Narrow Design Rim Exit Device Functions & Trim

**SARGENT**  
**ASSA ABLOY**

## 80 Series

<b>How to order:</b>	<b>Options</b> F1-83-56	<b>Series</b> AD85	<b>Function</b> 13	<b>Rail Lgth</b> F	<b>Trim</b> ETL	<b>Hand</b> RHR	<b>Outside Finish</b> 15	<b>Inside Finish</b> 32D	<b>Door Width</b> 36"
----------------------	----------------------------	-----------------------	-----------------------	-----------------------	--------------------	--------------------	-----------------------------	-----------------------------	--------------------------

### 700 Series ET Trim



Exits with ET Trim, specify lever design after the ET designation (e.g., ETL)

### Lever Designs for ET Controls

A, B, E, F, J, L, P, W

Also available with Coastal Series & Studio Collection Levers

### ET Designation with Suffix (Used to order ET without device)

AD8500 Series: 704, 706-8, 710, 713-8, 715-8, 740, 743-8, 744, 746-8, 773-8 & 774-8

### Freewheeling Trim

The lever rotates when the door is locked preventing excessive force from being applied to the horizontal lever

### Electrified ET Trim

Voltage must be specified for the following functions: 73 and 74. Specify: 12VDC or 24VDC

SARGENT Function Numbers	ANSI Function Numbers	Description & Cylinder Info. (1-3/4" Door)	ANSI Type 4 AD8500 Panic
04*	03	Night Latch Key Retracts Latch #34 Cylinder Supplied	AD8504 x ET_
06	09	Key unlocks Trim, Trim retracts latch/ Trim relocks when key is removed #41 Cylinder Supplied	AD8506 x ET_
10	01	No outside operation (No Cylinder)	AD8510
10	02	No outside operation (No Cylinder) ET Control is used as Pull Only	AD8510 x ET_
13	08	Key Outside Unlocks/locks Trim #41 Cylinder Supplied	AD8513 x ET_
15	14	Passage Only (No cylinder)	AD8515 x ET_
40	02	Freewheeling Trim - No outside operation (No Cylinder) Dummy Trim	AD8540 x ET_
43	08	Freewheeling Trim - Key Outside Unlocks/locks Trim #41 Cylinder Supplied	AD8543 x ET_
44	03	Freewheeling Trim - Key Retracts Latch #34 Cylinder Supplied	AD8544 x ET_
46	09	Freewheeling Trim - Key unlocks Trim, Trim retracts latch/ Trim relocks when key is removed #41 Cylinder Supplied	AD8546 x ET_
73		Electrified ET Trim - Fail Safe Power Off, Unlocks Lever (No Cylinder)**	AD8573 x ET_
74		Electrified ET Trim - Fail Secure Power Off, Locks Lever (No Cylinder)**	AD8574 x ET_

**Note:** Exit devices are available in all standard finishes, except 14, 15, 26 & 26D. With these finishes, exit devices are supplied in 32 or 32D to match accordingly. 32 or 32D is automatically supplied when 26 or 26D is specified. For nickel finishes, specify 14/32 or 15/32D to receive nickel finished trims and stainless exit devices

\* Consult factory when using with cylinders from other manufacturers

\*\* Cylinder override is not available with AD8500 Series Devices

### Options

#### AD8500

#### Mechanical Options:

12-  
16-  
19-  
31-  
36-  
37-  
43-  
53-  
54-  
55-  
56-  
56-HK-  
57-  
58-  
59-  
5CH-  
BC-59-  
76-  
85-  
86-  
87-  
AL-  
BT-  
CPC-  
GL-  
LD-  
PL-  
\* SG-  
TL-  
WS-

#### Cylinder Options:

10-  
10-21-  
10-63-  
11-  
11-21-  
11-60-  
11-63-  
11-64-  
11-70-7P-  
11-72-7P-  
11-73-7P-  
11-65-73-7P-  
21-  
22-  
51-  
52-  
60-  
63-  
64-  
70-  
72-  
73-  
65-73-  
65-73-7P-  
73-7P-  
81-  
82-  
F1-82-  
83-  
F1-83-  
84-  
BR-  
LC-  
SC-  
SE-

\* Only available with 15, 26D and 32D finishes

### Trim designations

Pull Trim Section	SARGENT Function Numbers	ANSI Function Numbers	Description & Cylinder Info. (1-3/4" Door)	Series
 862 Pull	04	03	Night Latch Key Retracts Latch #34 Cylinder Supplied	AD8504 x 862 Pull only
	10	02	862 Pull Only (Optional Pulls: 863 & 864)	AD8510 x 862 Pull only



AD8500 Panic

### Available Finishes

SARGENT Finishes	BHMA Finishes
03	605
04	606
09	611
10	612
10B	613
10BE	613E
10BL	613L
14	618
15	619
20D	624
26	625
26D	626
32	629
32D	630
BSP	—
WSP	—

Experience a safer  
and more open world

1-800-727-5477 • www.sargentlock.com

27