

80 Series

Exit Device

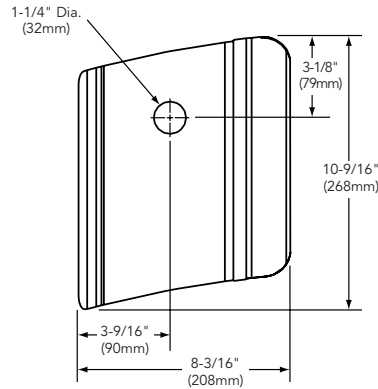


Anti-Vandal Trim, 988 Surface Bolt, ET Plates and Dummy Rails

80 Series

SARGENT
ASSA ABLOY

Anti-Vandal Trim



Designed for exterior doors that require extra security or resistance to vandalism, anti-vandal trim (AVT) plates have an extended lip on the active side of the door to provide extra protection for the latchbolt. A matte plastic coated grip provides a comfortable pull over wide temperature ranges. Fully through-bolted with no exposed exterior fasteners for a cleaner look and increased security.

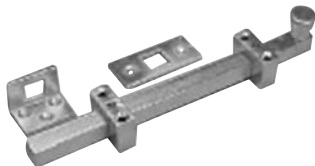
Features

- Heavy duty 12 gauge stainless steel in 32D finish
- Through-bolted for added strength
- Handed – Specify RHR or LHR
- ADA Compliant
- #34 Rim Cylinder supplied for 8804
- #41 Mortise Cylinder supplied for 8904
- Night Latch and Dummy Functions available
- Available for MD & WD8610, 8710, 8804, 8810, 8904 & 8910 Devices
- Options not available with AV trim: 1-, 31, 49, 50, 68, 69, 76, 77, 85, 86, 87, DX & SG
- Without protective lip for inactive door
- AVT Retrofit Kit works easily with existing product with minor prep modification
- Order by part number (826, 824, 821 or 827) as determined by product & function below

Part Number	Description	Application
826	Cylinder, but No Protective Lip	8804 Mfg after 02-2001
824	Protective Lip & Cylinder	8904; also 8804 Mfg before 02-2001
821	No Protective Lip & No Cylinder	MD & WD8610, 8710 and 8810
827	Protective Lip & No Cylinder	8910

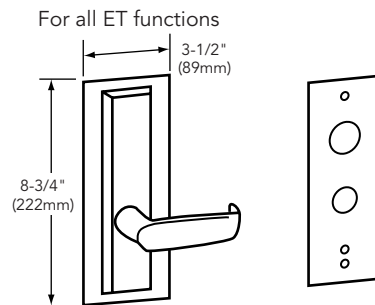
821 for use on all inactive leaves

988 Surface Bolt Kit



- Designed for severe windload (Hurricane Code) environments where surface bolts are required (e.g., on inactive doors)
- Tested to Dade County protocols
- Listed to UL 10C for use on fire rated door assemblies. Refer to codes for locations where surface bolts are allowed on fire doors
- All steel construction for maximum strength and heavy duty use
 - Full 3/4" (19mm) square, 12" (305mm) bolt with 1-1/4" (32mm) throw
 - Bright zinc-plated finish
 - Jimmy-resistant design locks bolt automatically when thrown; released by pressing knob toward door while retracting
 - Bolt can be locked in retracted or thrown position
- Angle (L shaped) and mortise strike with mounting hardware supplied standard
- Order as a: 988 Surface Bolt

ET Cover Plate



This plate is designed to be mounted behind the ET control to cover a stock hollow metal cutout

- Order as a: 68-0657 x finish

809 Touchpad Kit

- Lexan touchpad replacement kit for all 80 Series push rails
- Direct replacement – uses existing mounting holes
- Order as a: 809 Touch Pad

8893 Dummy Rail



A decorative push bar for vestibule door applications where continuity of design is desired, but no exit device is required. Outside dummy trim available on order.

- Order as a: 8893 x finish; Specify door width and door stile width when ordering.

8895 Active Dummy Rail



Push rail operates on this rail to simulate active doors. Can be used with dummy trim.

- Order as a: 8885 x Finish; specify door width and door stile width when ordering.
- Available with Request-to-Exit (REX) signaling switch; specify 55-8895 x Finish

Copyright © 1998-2021, SARGENT Manufacturing Company. All rights reserved. Reproduction in whole or in part without the express written permission of SARGENT Manufacturing Company is prohibited. Patent pending and/or patent www.assaabloydss.com/patents.

90641 10/21

68

1-800-727-5477 • www.sargentlock.com

Experience a safer and more open world