

80 Series Parts Manual



For assistance, contact SARGENT at
800-727-5477 or www.sargentlock.com

Experience a safer
and more open world

Copyright © 2017-2021, SARGENT Manufacturing Company. All rights reserved. Reproduction in whole or in part without the express written permission of SARGENT Manufacturing Company is prohibited.

 **WARNING**

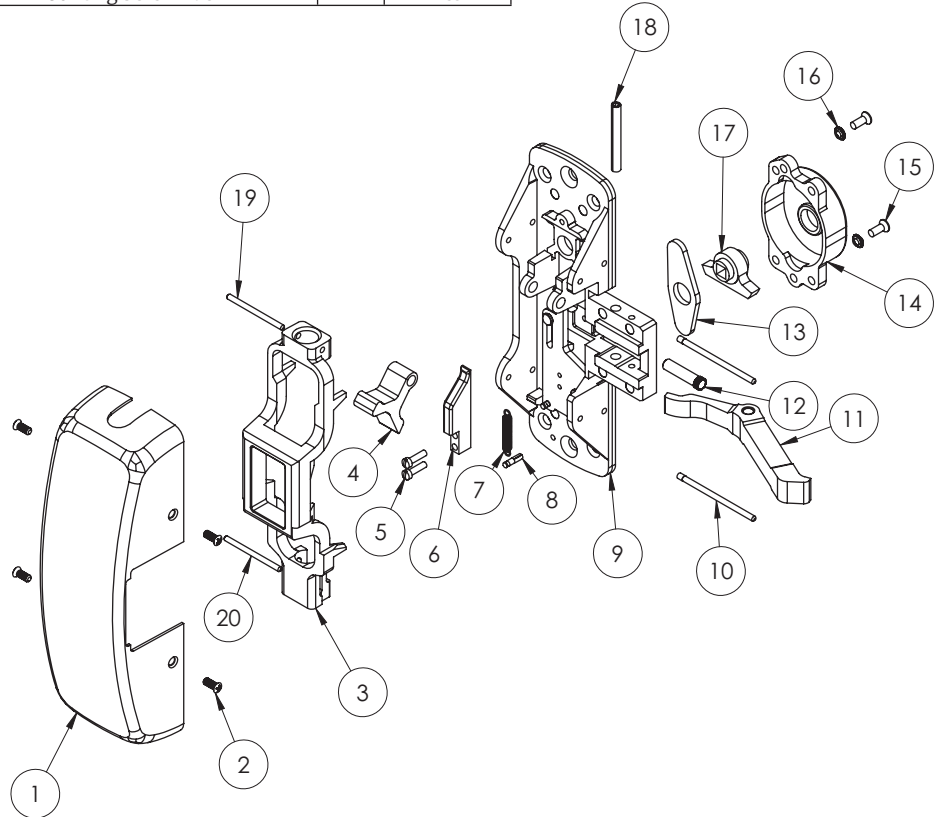
This product can expose you to lead which is known to the state of California to cause cancer and birth defects or other reproductive harm. For more information go to www.P65warnings.ca.gov.

A82311L 04/21

Function	Assembly No.	Description	Sellable
06, 13, 43, 46	68-7306 (LHRB)	Chassis Assembly	Yes
	68-7307 (RHRB)		Yes

Item	Assy No.	Part No.	Description	Qty	Sellable
1	N/A	68-0405	Chassis Cover*	1	Yes
2		97-2563	Auxillary Screw Pack*	1	Yes
3	68-7306(LHRB) 68-7307(RHRB)	68-1664	Main Slide	1	Yes
4		68-1656	Lift Lever	1	Yes
5		01-4396	59-80 Machine Screw	2	Yes
6		68-1655	Lift Block	1	Yes
7		97-0050	Knob Return Spring	1	Yes
8		01-0749	Groove Pin	1	No
9		68-7310	Chassis and Slide Assembly, LHRB	1	No
		68-7311	Chassis and Slide Assembly, RHRB		No
10		68-0323	Chassis Pin	2	Yes
11		68-0241	Lift Arm	1	Yes
12		01-9372	Lift Lever Pivot Pin	1	Yes
13		97-0043	Knob Hub Retainer	1	Yes
14		68-0367	Knob Hub Cover	2	Yes
15		01-3384	8-32x7/16 PH FH MS	2	Yes
16		01-0930	Countersunk Lock Washer	2	Yes
17		97-0042	Knob Hub	1	Yes
18		01-4512	Spirol Pin	1	Yes
19		N/A	97-0049	Top Rod Adjustment Pin	1
20	97-0048		Bottom Rod Adjustment Pin	1	Yes
21	68-5991		Mounting Screw Pack	1	Yes

*Specify Finish

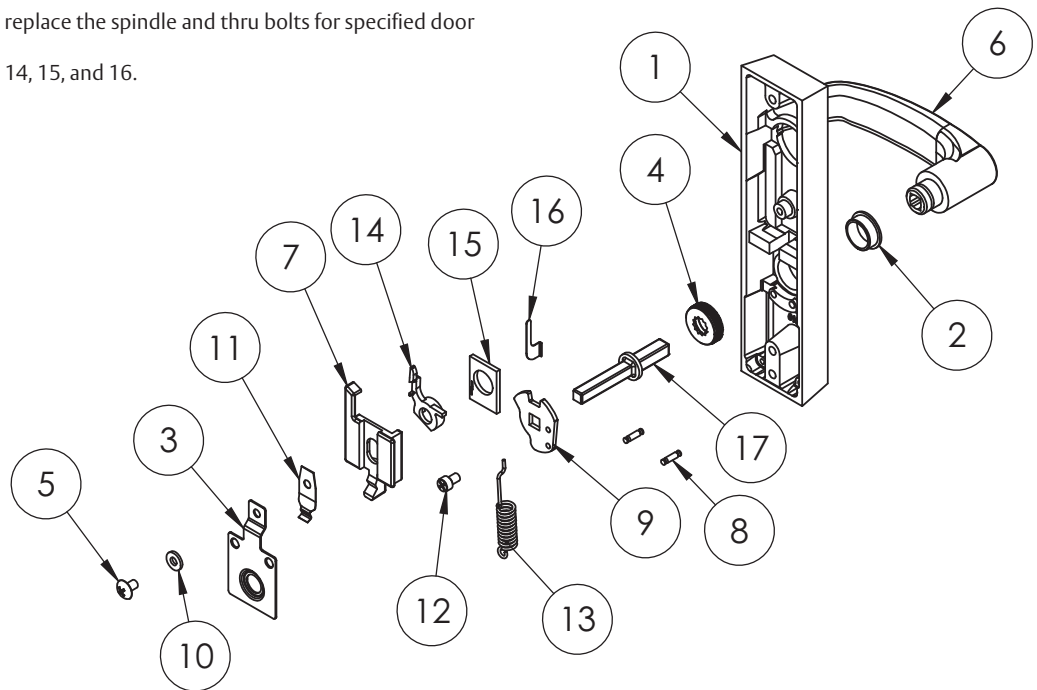


A8231L 04/21

The warranty on SARGENT® products becomes void if the product is modified in any way, regardless of whether the modification causes or contributes to any alleged defect. If a SARGENT product is modified it may no longer meet industry certification and quality control standards applicable to the original product and is no longer a genuine SARGENT product.

Item	Part No.	Description	Qty	Sellable
1	97-0428	ET Case	1	No
2	97-0477	Bushing Insert	1	Yes
3	68-1393	Retaining Plate	1	Yes
4	97-0760	Cap Nut	1	Yes
5	01-1183	Cr-Thms #10-32 X 5/16"	1	Yes
6	—	Lever Handle ^{1,3}	1	Yes
Not Shown	—	Cylinder Assembly ^{1,2}	1	Yes
	97-0350	Collar ¹	1	Yes
	13-0180	Cylinder Nut	1	Yes
7	97-0355	Locking Slide (706) (607-2)	1	Yes
	97-0356	Locking Slide (713) (607-1)	1	Yes
8	01-4507	1/8" X 1/2" Double Ended Groove Pin	2	No
9	97-0528	Hub Plate (Std)	1	Yes
10	97-0557	Fusible Link	1	Yes
11	97-0571	Locking Slide Spring	1	Yes
12	01-1182	Cr-Chms #10-32 X 19/64"	1	Yes
13	97-0425	Hub Spring (Std)	1	Yes
14	97-0558	Slide Support	1	No
15	97-0563	Spring Support	1	No
16	97-0564	Return Spring	1	No
17	97-0549	Spindle (1 3/4" Door) (730-1)	1	Yes
	97-0550	Spindle (2" Door) (730-2)	1	Yes
	97-0551	Spindle (2 1/4" Door) (730-3)	1	Yes
Not Shown	01-4451	Thru Bolt #1/4-20 X 2 3/8" (1 3/4" Door)	2	Yes
	01-4372	Thru Bolt #1/4-20 X 2 5/8" (2" Door)	2	Yes
	01-4373	Thru Bolt #1/4-20 X 2 7/8" (2 1/4" Door)	2	Yes

1. Specify finish
 2. Specify #41 cylinder by keying requirements
 3. Specify lever design by hand
- Note: 730 kit includes items required to replace the spindle and thru bolts for specified door thickness
- Note: 607 kit includes items 5, 7, 10, 11, 14, 15, and 16.



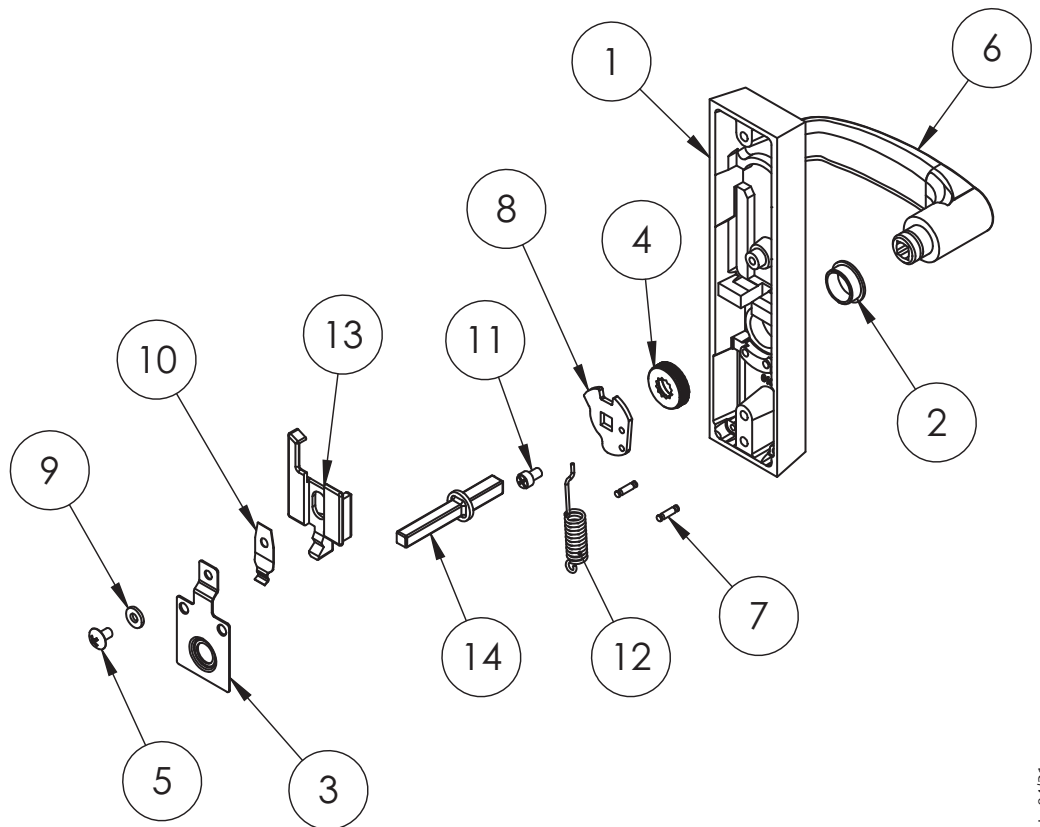
The warranty on SARGENT® products becomes void if the product is modified in any way, regardless of whether the modification causes or contributes to any alleged defect. If a SARGENT product is modified it may no longer meet industry certification and quality control standards applicable to the original product and is no longer a genuine SARGENT product.

Item	Part No.	Description	Qty	Sellable
1	97-0429	ET Case	1	No
2	97-0477	Bushing Insert	1	Yes
3	68-1393	Retaining Plate	1	Yes
4	97-0760	Cap Nut	1	Yes
5	01-1183	Cr-Thms #10-32 X 5/16"	1	Yes
6	—	Lever Handle ^{1,2}	1	Yes
7	01-4507	1/8 X 1/2 Double Ended Groove Pin	2	No
8	97-0528	Hub Plate (Std)	1	Yes
9	97-0557	Fusible Link	1	Yes
10	97-0571	Locking Slide Spring	1	Yes
11	01-1182	Cr-Chms #10-32 X 19/64"	1	Yes
12	97-0425	Hub Spring (Std)	1	Yes
13	97-0356	Locking Slide (713)	1	Yes
14	730-1	Spindle Retrofit Kit (1 3/4" Door)	1	Yes
	730-2	Spindle Retrofit Kit (2" Door)	1	Yes
	730-3	Spindle Retrofit Kit (2 1/4" Door)	1	Yes
Not Shown	01-4451	Thru Bolt #1/4-20 X 2 3/8" (1 3/4" Door)	2	Yes
	01-4372	Thru Bolt #1/4-20 X 2 5/8" (2" Door)	2	Yes
	01-4373	Thru Bolt #1/4-20 X 2 7/8" (2 1/4" Door)	2	Yes

1. Specify finish

2. Specify lever design by hand

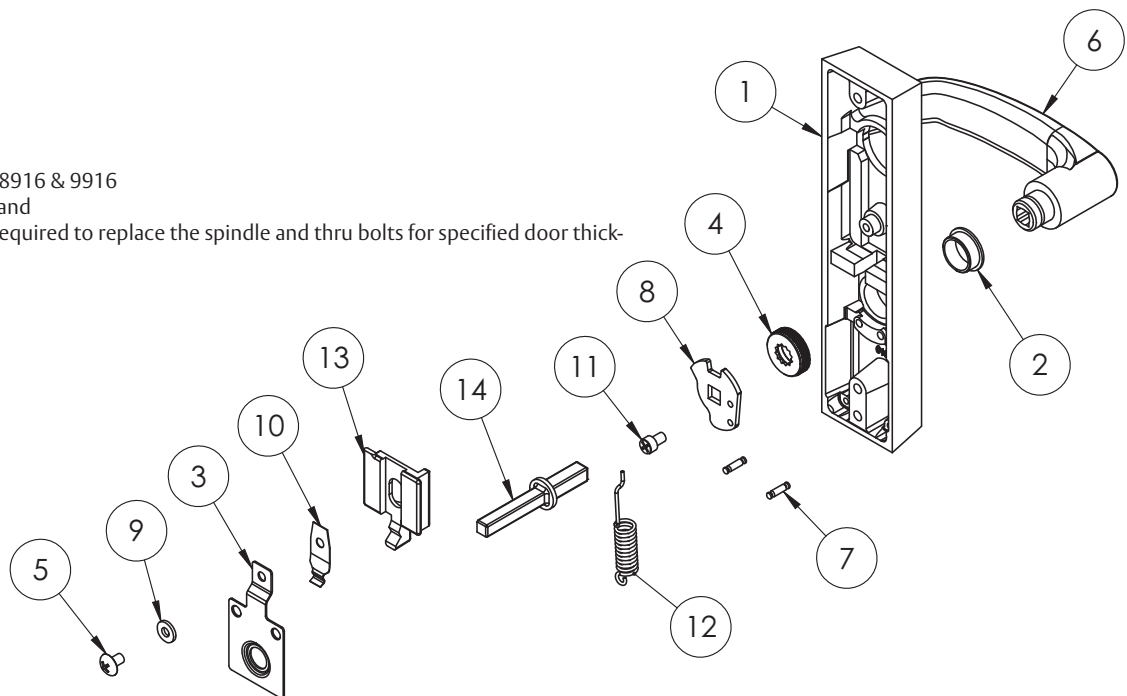
Note: 730 kit includes items required to replace the spindle and thru bolts for specified door thickness



Item	Part No.	Description	Qty	Sellable
1	97-0427	ET Case	1	No
2	97-0477	Bushing Insert	1	Yes
3	68-1393	Retaining Plate	1	Yes
4	97-0760	Cap Nut	1	Yes
5	01-1183	Cr-Thms #10-32 X 5/16"	1	Yes
6	—	Lever Handle ^{1,3}	1	Yes
7	01-4507	1/8" X 1/2' Double Ended Groove Pin	2	No
8	97-0528	Hub Plate (Std)	1	Yes
9	97-0557	Fusible Link	1	Yes
10	97-0571	Locking Slide Spring	1	Yes
11	01-1182	Cr-Chms #10-32 X 19/64"	1	Yes
12	97-0425	Hub Spring (Std)	1	Yes
Not Shown	—	Cylinder ^{1,2,2a}	1	Yes
	97-0350	Cylinder Collar ¹	1	Yes
	13-0180	Cylinder Nut	1	Yes
	13-0086	Backplate (8816 Only)	1	Yes
	13-0074	Connecting Screw (8816 Only)	2	Yes
	13-0075	Connecting Screw (8816 Only) (2 1/2" Door And Over)	2	Yes
13	97-0439	Locking Slide (716)	1	Yes
14	97-0549	Spindle (1 3/4" Door) (730-1)	1	Yes
	97-0550	Spindle (2" Door) (730-2)	1	Yes
	97-0551	Spindle (2 1/4" Door) (730-3)	1	Yes
Not Shown	01-4451	Thru Bolt #1/4-20 X 2 3/8" (1 3/4" Door)	1	Yes
	01-4372	Thru Bolt #1/4-20 X 2 5/8" (2" Door)	1	Yes
	01-4373	Thru Bolt #1/4-20 X 2 7/8" (2 1/4" Door)	1	Yes

1. Specify finish
2. Specify cylinder size
- 2a. By keying Requirements
- 2b. #34 Cylinder for 8816
#46 Mortise cylinder for 8916 & 9916
3. Specify lever design by hand

Note: 730 kit includes items required to replace the spindle and thru bolts for specified door thickness

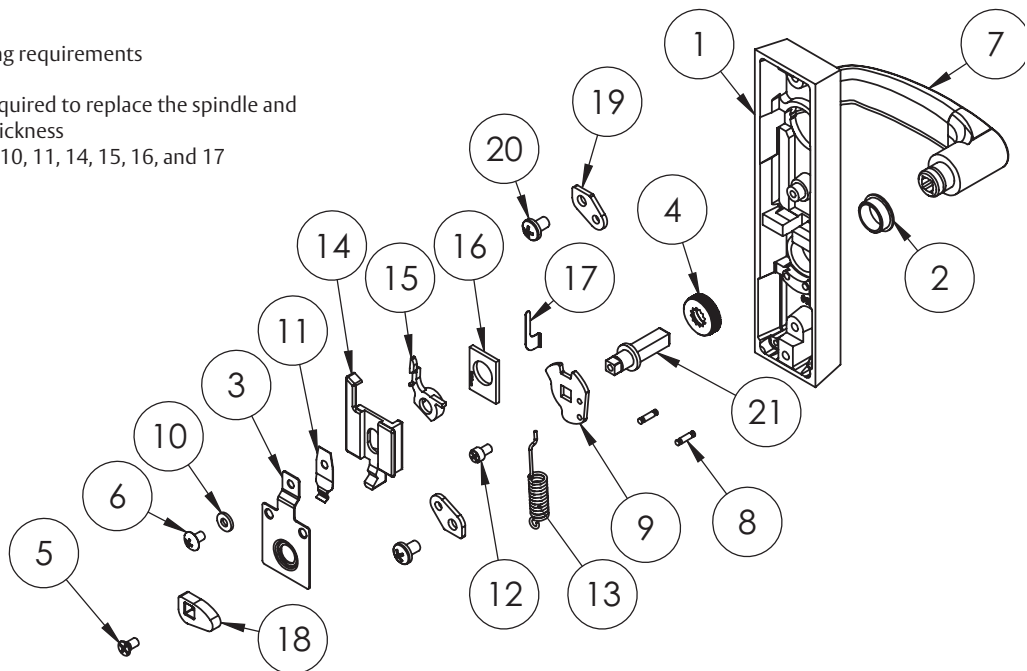


A8231L 04/21

The warranty on SARGENT® products becomes void if the product is modified in any way, regardless of whether the modification causes or contributes to any alleged defect. If a SARGENT product is modified it may no longer meet industry certification and quality control standards applicable to the original product and is no longer a genuine SARGENT product.

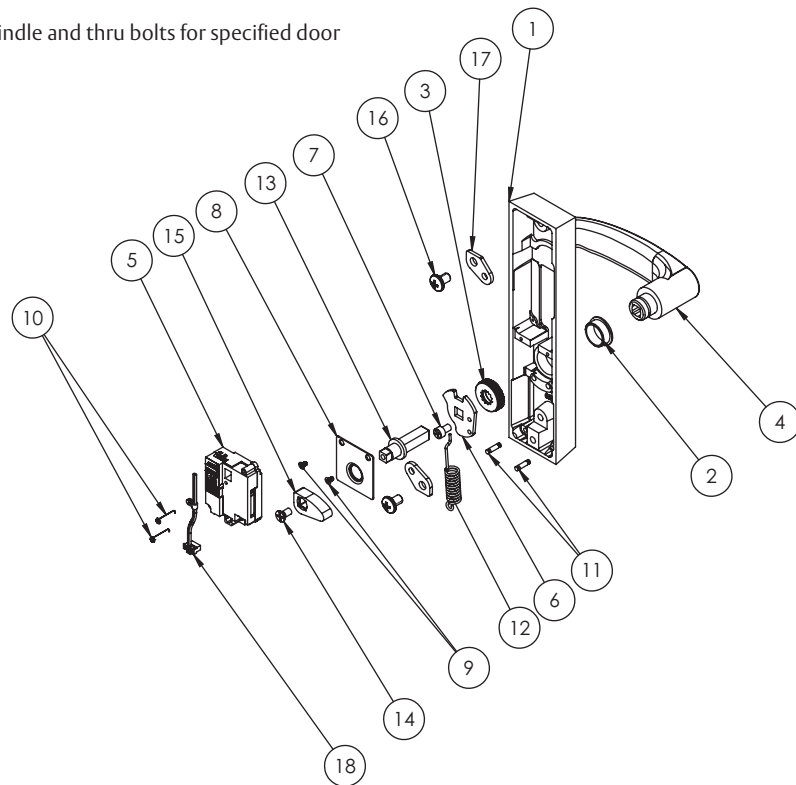
Item	Part No.	Description	Qty	Sellable
1	97-0436	ET Case, Off-Set Mounting	1	No
2	97-0477	Bushing Insert	1	Yes
3	68-1393	Retaining Plate	1	Yes
4	97-0760	Cap Nut	1	Yes
5	01-1027	Ph Fl U'cut Ms #10-24 X 3/8"	1	Yes
6	01-1183	Cr-Thms #10-32 X 5/16"	1	Yes
7	—	Lever Handle ^{1,3}	1	Yes
Not Shown	—	Cylinder Assembly ^{1,2}	1	Yes
	97-0350	Collar ¹	1	Yes
	13-0180	Cylinder Nut	1	Yes
8	01-4507	1/8" X 1/2" Double Ended Groove Pin	2	No
9	97-0528	Hub Plate (Std)	1	Yes
10	97-0557	Fusible Link	1	Yes
11	97-0571	Locking Slide Spring	1	Yes
12	01-1182	Cr-Chms #10-32 X 19/64"	1	Yes
13	97-0425	Hub Spring (Std)	1	Yes
14	97-0355	Locking Slide (706)	1	Yes
	97-0356	Locking Slide (713)	1	Yes
15	97-0558	Slide Support	1	No
16	97-0563	Spring Support	1	No
17	97-0564	Return Spring	1	No
18	68-0852	Cam 700-4	1	Yes
19	68-0853	Bracket	2	Yes
20	01-1478	Cr Pan Hd Mach Screw #1/4-20 X 3/8"	2	Yes
21	97-0549	Spindle (1 3/4" Door) (730-4)	1	Yes
	97-0550	Spindle (2" Door) (730-5)	1	Yes
	97-0551	Spindle (2 1/4" Door) (730-6)	1	Yes
Not Shown	01-4451	Thru Bolt #1/4-20 X 2 3/8" (1 3/4" Door)	2	Yes
	01-4372	Thru Bolt #1/4-20 X 2 5/8" (2" Door)	2	Yes
	01-4373	Thru Bolt #1/4-20 X 2 7/8" (2 1/4" Door)	2	Yes

1. Specify finish
 2. Specify #41 cylinder by keying requirements
 3. Specify lever design by hand
- Note: 730 kit includes items required to replace the spindle and thru bolts for specified door thickness
- Note: 607 kit includes items 6, 10, 11, 14, 15, 16, and 17



Item	Part No.	Description	Qty	Sellable
1	97-0856	Electric ET Case W/O Cylinder Prep ²	1	No
2	97-0477	Bushing Insert	1	Yes
3	97-0760	Cap Nut	1	Yes
4	—	Lever Handle ^{1,2}	1	Yes
5	68-7546	Motor Actuator Assembly	1	Yes
6	97-0528	Hub Plate (STD)	1	Yes
7	01-1182	Cr-Chms #10-32 X 19/64"	1	Yes
8	97-0852	Retainer Plate, Electrical Function	1	Yes
9	01-4410	#4-40 X 1/4" Ph Flat Head Machine Screw	2	Yes
10	01-4383	#2-56 X 5/8" Ph Pan Head Machine Screw	2	Yes
11	01-4507	1/8 x 1/2 Double Ended Groove Pin	2	No
12	97-0425	Hub Spring (STD)	1	Yes
13	730-4	Spindle Retrofit Kit (1 3/4" Door)	1	Yes
	730-5	Spindle Retrofit Kit (2" Door)	1	Yes
	730-6	Spindle Retrofit Kit (2 1/4" Door)	1	Yes
14	01-1027	CR-FHMS 10-24x0.375	1	Yes
15	97-0603	Cam	1	Yes
16	01-1183	Cr Pan Hd Ms #1/4-20 X 3/8"	1	Yes
17	68-0853	Bracket	1	Yes
18	52-5660	Ecoflex Et Harness F.Safe/F.Secure	1	Yes
	52-5659	Ecoflex ET Harness H1, H2, M1	1	Yes
Not Shown	01-4451	Thru Bolt #1/4-20 X 2 3/8" (1 3/4" Door)	2	Yes
	01-4372	Thru Bolt #1/4-20 X 2 5/8" (2" Door)	2	Yes
	01-4373	Thru Bolt #1/4-20 X 2 7/8" (2 1/4" Door)	2	Yes

1. Specify finish
 2. Specify lever design by hand
- Note: 730 kit includes items required to replace the spindle and thru bolts for specified door thickness.



A8231L 04/21

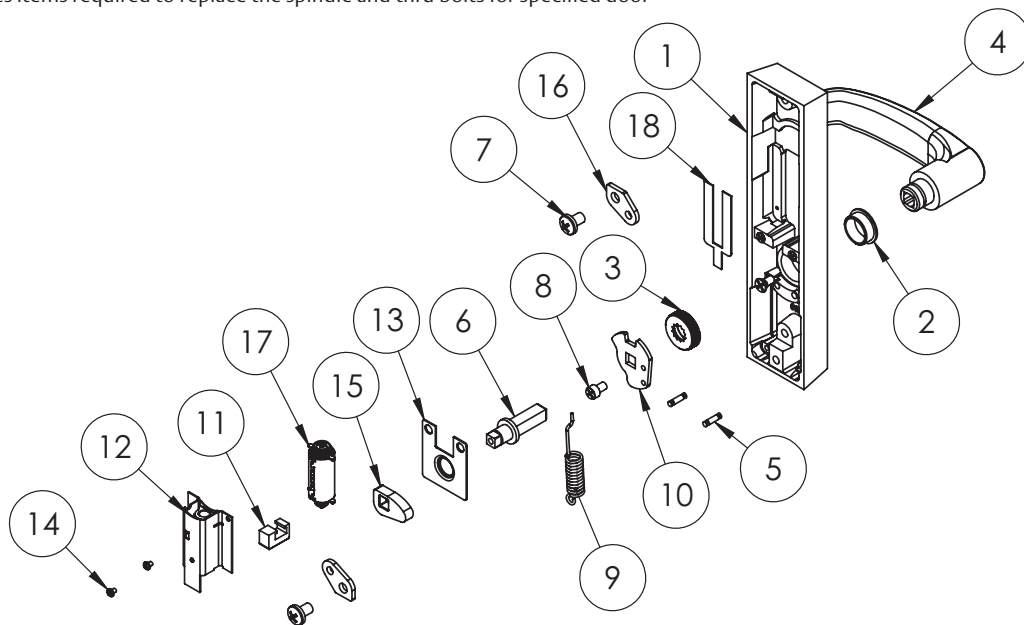
The warranty on SARGENT® products becomes void if the product is modified in any way, regardless of whether the modification causes or contributes to any alleged defect. If a SARGENT product is modified it may no longer meet industry certification and quality control standards applicable to the original product and is no longer a genuine SARGENT product.

Item	Part No.	Description	Qty	Sellable
1	97-0437	ET Case, Off-Set Mounting	1	No
2	97-0477	Bushing Insert	1	Yes
3	97-0760	Cap Nut	1	Yes
4	—	Lever Handle ^{1,2}	1	Yes
5	01-4507	1/8" X 1/2" Double Ended Groove Pin	2	No
6	730-4	Spindle Retrofit Kit (1 3/4" Door)	1	Yes
	730-5	Spindle Retrofit Kit (2" Door)	1	Yes
	730-6	Spindle Retrofit Kit (2 1/4" Door)	1	Yes
7	01-1478	Cr Pan Hd Mach Screw #1/4 X 3/8"	2	Yes
8	01-1182	Cr-Chms #10-32 X 19/64"	1	Yes
9	97-0425	Hub Spring (Std)	1	Yes
10	97-0528	Hub Plate	1	Yes
11	97-0329	Locking Tail	1	No
12	97-3932	Solenoid Cover Assembly (Fail Secure)	1	No
13	68-1402	Retainer Plate, Electrical Function	1	No
14	01-3563	Machine Screw #5-40 X 1/4"	2	No
15	68-0852	Cam 700-4	1	Yes
16	68-0853	Bracket	2	Yes
17	52-3287	24V Pull Solenoid & Bridge Assy, Exit Trim	1	No
	52-3289	24V Push Solenoid & Bridge Assy, Exit Trim	1	No
	52-3290	12V Push Solenoid & Bridge Assy, Exit Trim	1	No
18	97-0799	Fork	1	Yes
Not Shown	01-4451	Thru Bolt #1/4-20 X 2 3/8" (1 3/4" Door)	2	Yes
	01-4372	Thru Bolt #1/4-20 X 2 5/8" (2" Door)	2	Yes
	01-4373	Thru Bolt #1/4-20 X 2 7/8" (2 1/4" Door)	2	Yes

1. Specify finish

2. Specify lever design by hand

Note: 730 kit includes items required to replace the spindle and thru bolts for specified door thickness



The warranty on SARGENT® products becomes void if the product is modified in any way, regardless of whether the modification causes or contributes to any alleged defect. If a SARGENT product is modified it may no longer meet industry certification and quality control standards applicable to the original product and is no longer a genuine SARGENT product.

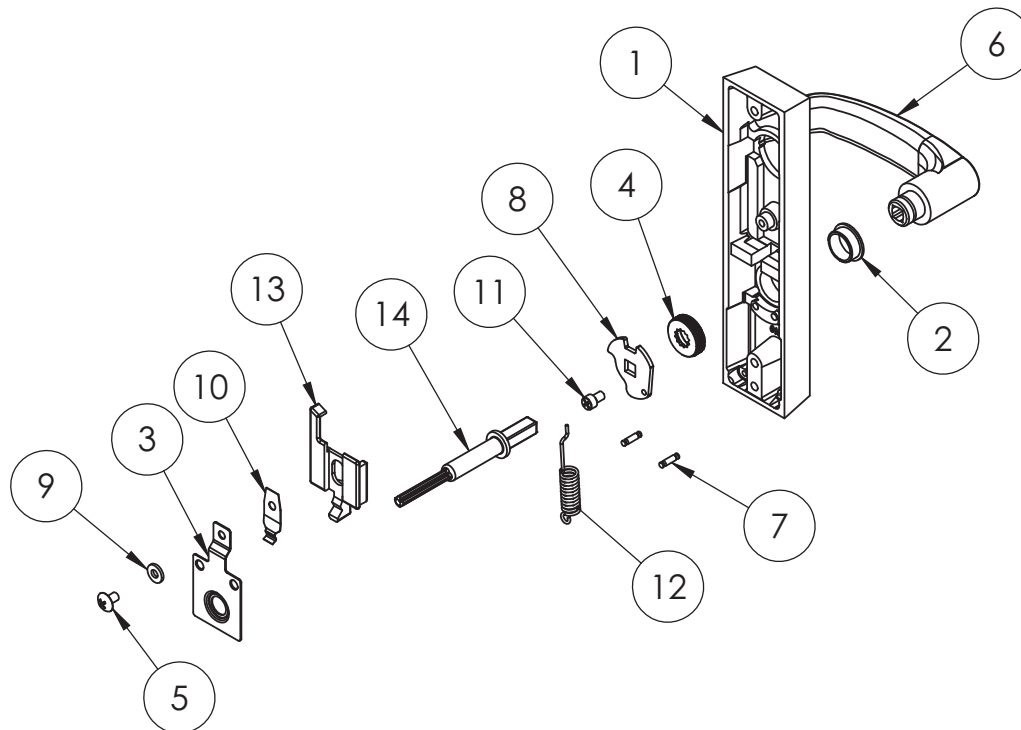
Copyright © 2017-2021, SARGENT Manufacturing Company. All rights reserved. Reproduction in whole or in part without the express written permission of SARGENT Manufacturing Company is prohibited.

Item	Part No.	Description	Qty	Sellable
1	97-0429	ET Case	1	No
2	97-0477	Bushing Insert	1	Yes
3	68-1393	Retaining Plate	1	Yes
4	97-0760	Cap Nut	1	Yes
5	01-1183	Cr-Thms #10-32 X 5/16"	1	Yes
6	—	Lever Handle ^{1,2}	1	Yes
7	01-4507	1/8" X 1/2" Double Ended Groove Pin	2	No
8	97-0480	Locking Piece For -6 And -8	1	Yes
9	97-0557	Fusible Link	1	Yes
10	97-0571	Locking Slide Spring	1	Yes
11	01-1182	Cr-Chms #10-32 X 19/64"	1	Yes
12	97-0425	Hub Spring (Std)	1	Yes
13	97-0356	Locking Slide (713)	1	Yes
14	730-7	Spindle Retrofit Kit (1 3/4" Door)	1	Yes
	730-8	Spindle Retrofit Kit (2" Door)	1	Yes
	730-9	Spindle Retrofit Kit (2 1/4" Door)	1	Yes
Not Shown	01-4451	Thru Bolt #1/4-20 X 2 3/8" (1 3/4" Door)	2	Yes
	01-4372	Thru Bolt #1/4-20 X 2 5/8" (2" Door)	2	Yes
	01-4373	Thru Bolt #1/4-20 X 2 7/8" (2 1/4" Door)	2	Yes

1. Specify finish

2. Specify lever design by hand

Note: 730 kit includes items required to replace the spindle and thru bolts for specified door thickness

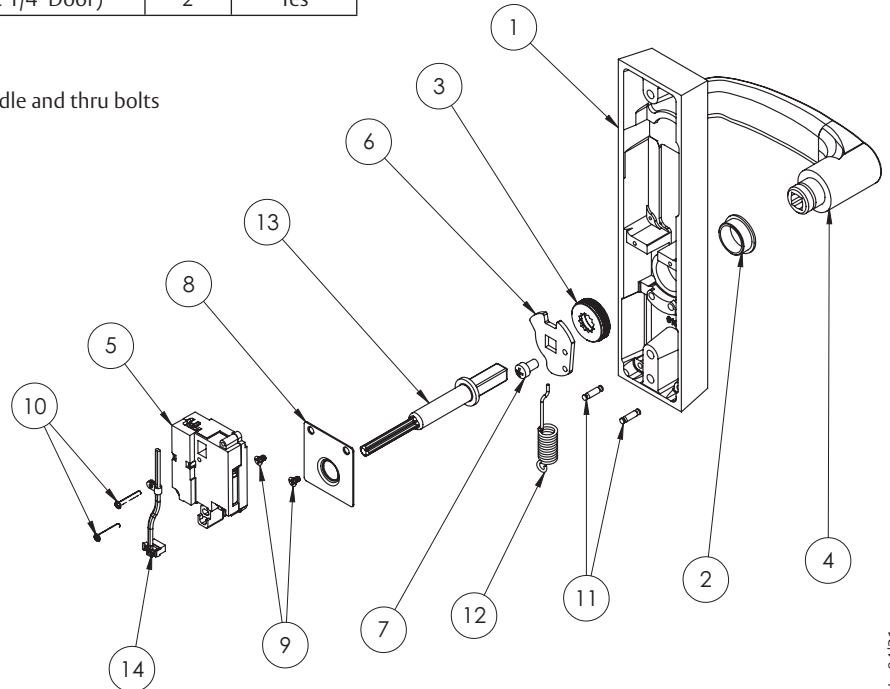


A8231L 04/21

The warranty on SARGENT® products becomes void if the product is modified in any way, regardless of whether the modification causes or contributes to any alleged defect. If a SARGENT product is modified it may no longer meet industry certification and quality control standards applicable to the original product and is no longer a genuine SARGENT product.

Item	Part No.	Description	Qty	Sellable
1	97-0853	Electric ET Case W/O Cylinder Prep ¹	1	No
2	97-0477	Bushing Insert	1	Yes
3	97-0760	Cap Nut	1	Yes
4	—	Lever Handle ^{1,2}	1	Yes
5	68-7546	Motor Actuator Assembly	1	Yes
Not Shown	730-7	Spindle Retrofit Kit (1 3/4" Door)	1	Yes
	730-8	Spindle Retrofit Kit (2" Door)	1	Yes
	730-9	Spindle Retrofit Kit (2 1/4" Door)	1	Yes
6	97-0480	Hub Plate (700-8)	1	Yes
7	01-1182	Cr-Chms #10-32 X 19/64"	1	Yes
8	97-0852	Retainer Plate, Electrical Function	1	Yes
9	01-4410	#4-40 X 1/4" Ph Flat Head Machine Screw	2	Yes
10	01-4383	#2-56 X 5/8" Ph Pan Head Machine Screw	2	Yes
11	01-4507	1/8 x 1/2 Double Ended Groove Pin	2	No
12	97-0425	Hub Spring (STD)	1	Yes
13	97-0541	Spindle (Lockable 700-8)	1	Yes
14	52-5660	Ecoflex Et Harness F.Safe/F.Secure	1	Yes
	52-5659	Ecoflex ET Harness H1, H2, M1	1	Yes
	52-5654	Ecoflex ET Harness KP, G1.5,	1	Yes
	52-5657	Ecoflex ET Harness P1, P2, IN120, IN220	1	Yes
	52-5655	Ecoflex ET Harness S Series	1	Yes
	52-5656	Ecoflex ET Harness PG	1	Yes
	52-5658	Ecoflex ET Harness N2	1	Yes
	52-5652	Ecoflex ET Harness IN100	1	Yes
Not Shown	01-4451	Thru Bolt #1/4-20 X 2 3/8" (1 3/4" Door)	2	Yes
	01-4372	Thru Bolt #1/4-20 X 2 5/8" (2" Door)	2	Yes
	01-4373	Thru Bolt #1/4-20 X 2 7/8" (2 1/4" Door)	2	Yes

1. Specify finish
 2. Specify lever design by hand
 Note: 730 kit includes items required to replace the spindle and thru bolts for specified door thickness

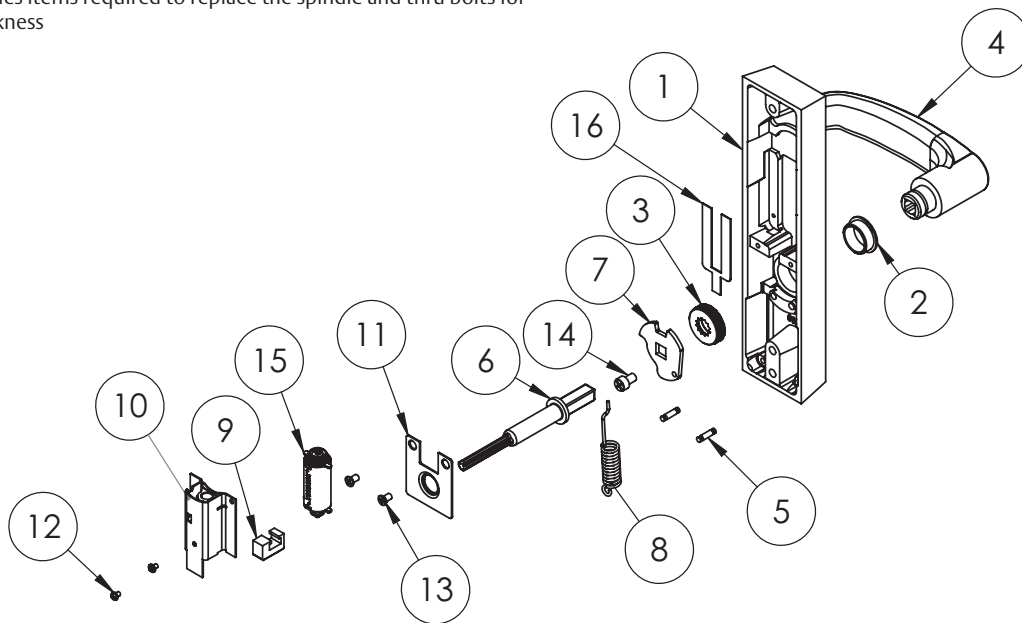


The warranty on SARGENT® products becomes void if the product is modified in any way, regardless of whether the modification causes or contributes to any alleged defect. If a SARGENT product is modified it may no longer meet industry certification and quality control standards applicable to the original product and is no longer a genuine SARGENT product.

Copyright © 2017-2021, SARGENT Manufacturing Company. All rights reserved. Reproduction in whole or in part without the express written permission of SARGENT Manufacturing Company is prohibited.

Item	Part No.	Description	Qty	Sellable
1	97-0575	ET Case	1	No
2	97-0477	Bushing Insert	1	Yes
3	97-0760	Cap	1	Yes
4	—	Lever Handle ^{1,2}	1	Yes
5	01-4507	1/8" X 1/2" Double Ended Groove Pin	2	No
Not Shown	730-7	Spindle Retrofit Kit (1 3/4" Door)	1	Yes
	730-8	Spindle Retrofit Kit (2" Door)	1	Yes
	730-9	Spindle Retrofit Kit (2 1/4" Door)	1	Yes
6	97-0541	Spindle	1	Yes
7	97-0480	Lower Hub Plate	1	Yes
8	97-0425	Hub Spring (Std)	1	Yes
9	97-0329	Locking Tail	1	No
10	97-3932	Solenoid Cover Assembly	1	No
11	68-1402	Retainer Plate, Electrical Function	1	No
12	01-3563	Machine Screw #5-40 X 1/4"	2	No
13	01-1154	Cr-Fhms #6-32 X 1/4"	2	No
14	01-1182	Cr-Chms #10-32 X 19/64"	1	Yes
15	52-3287	24V Pull Solenoid & Bridge Assy, Exit Trim	1	No
	52-3288	12V Pull Solenoid & Bridge Assy, Exit Trim	1	No
	52-3289	24V Push Solenoid & Bridge Assy, Exit Trim	1	No
	52-3290	12V Push Solenoid & Bridge Assy, Exit Trim	1	No
16	97-0799	Fork	1	Yes
Not Shown	01-4451	Thru Bolt #1/4-20 X 2 3/8" (1 3/4" Door)	2	Yes
	01-4372	Thru Bolt #1/4-20 X 2 5/8" (2" Door)	2	Yes
	01-4373	Thru Bolt #1/4-20 X 2 7/8" (2 1/4" Door)	2	Yes

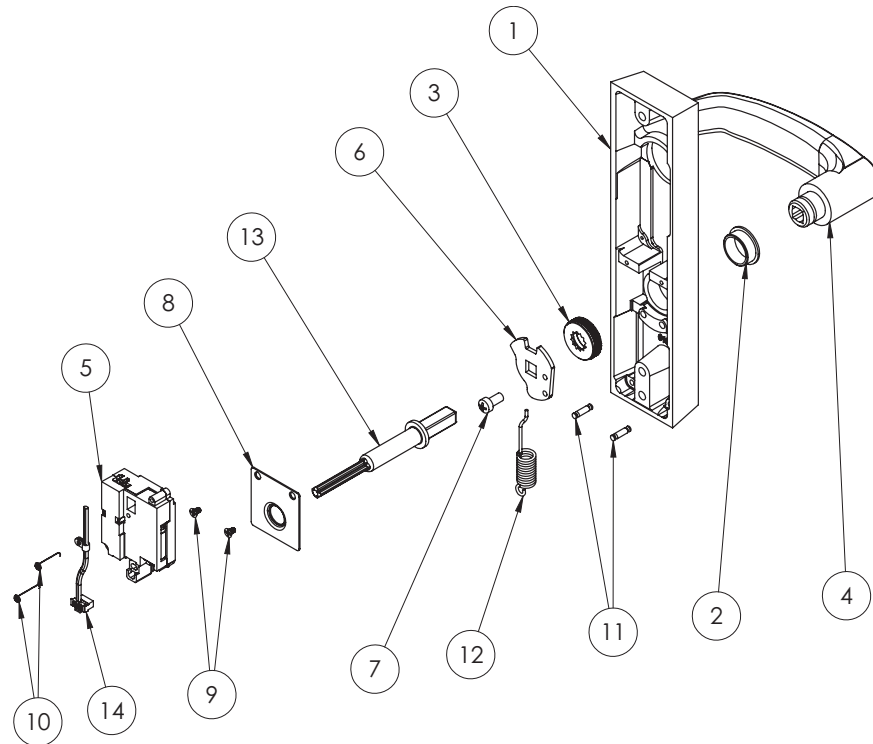
1. Specify finish
 2. Specify lever design by hand
- Note: 730 kit includes items required to replace the spindle and thru bolts for specified door thickness



The warranty on SARGENT® products becomes void if the product is modified in any way, regardless of whether the modification causes or contributes to any alleged defect. If a SARGENT product is modified it may no longer meet industry certification and quality control standards applicable to the original product and is no longer a genuine SARGENT product.

Item	Part No.	Description	Qty	Sellable
1	97-0851	Electric ET Case W/ Cylinder Prep ¹	1	No
2	97-0477	Bushing Insert	1	Yes
3	97-0760	Cap Nut	1	Yes
4	—	Lever Handle ^{1,2}	1	Yes
5	68-7546	Motor Actuator Assembly	1	Yes
Not Shown	730-7	Spindle Retrofit Kit (1 3/4" Door)	1	Yes
	730-8	Spindle Retrofit Kit (2" Door)	1	Yes
	730-9	Spindle Retrofit Kit (2 1/4" Door)	1	Yes
6	97-0480	Hub Plate (700-8)	1	Yes
7	01-1182	Cr-Chms #10-32 X 19/64"	1	Yes
8	97-0852	Retainer Plate, Electrical Function	1	Yes
9	01-4410	#4-40 X 1/4" Ph Flat Head Machine Screw	2	Yes
10	01-4383	#2-56 X 5/8" Ph Pan Head Machine Screw	2	Yes
11	01-4507	1/8 x 1/2 Double Ended Groove Pin	2	No
12	97-0425	Hub Spring (STD)	1	Yes
13	97-0541	Spindle (Lockable 700-8)	1	Yes
14	52-5660	Ecoflex Et Harness F.Safe/F.Secure	1	Yes
	52-5659	Ecoflex ET Harness H1, H2, M1	1	Yes
	52-5654	Ecoflex ET Harness KP, G1.5,	1	Yes
	52-5657	Ecoflex ET Harness P1, P2, IN120, IN220	1	Yes
	52-5655	Ecoflex ET Harness S Series	1	Yes
	52-5656	Ecoflex ET Harness PG	1	Yes
	52-5658	Ecoflex ET Harness N2	1	Yes
52-5652	Ecoflex ET Harness IN100	1	Yes	
Not Shown	01-4451	Thru Bolt #1/4-20 X 2 3/8" (1 3/4" Door)	2	Yes
	01-4372	Thru Bolt #1/4-20 X 2 5/8" (2" Door)	2	Yes
	01-4373	Thru Bolt #1/4-20 X 2 7/8" (2 1/4" Door)	2	Yes

1. Specify finish
2. Specify lever design by hand



The warranty on SARGENT® products becomes void if the product is modified in any way, regardless of whether the modification causes or contributes to any alleged defect. If a SARGENT product is modified it may no longer meet industry certification and quality control standards applicable to the original product and is no longer a genuine SARGENT product.

Copyright © 2017-2021, SARGENT Manufacturing Company. All rights reserved. Reproduction in whole or in part without the express written permission of SARGENT Manufacturing Company is prohibited.