

# 80 Series

## Exit Device



# 8888/8810 Multi-Function Rim Exit Device and Trims

80 Series

**SARGENT**  
**ASSA ABLOY**



## 8888/8810 Multi-Function exit device and trim

- Device & trim sold separately; easy to mix and match
- Designed for standard width stile applications on wood and metal doors
- 7 functions available as determined by the trim function
- 3 trim designs available:
  - 700 ET Controls
  - 88 Lever & Rose trim
  - Pull trims
- Single and double door applications with a mullion

## Specifications

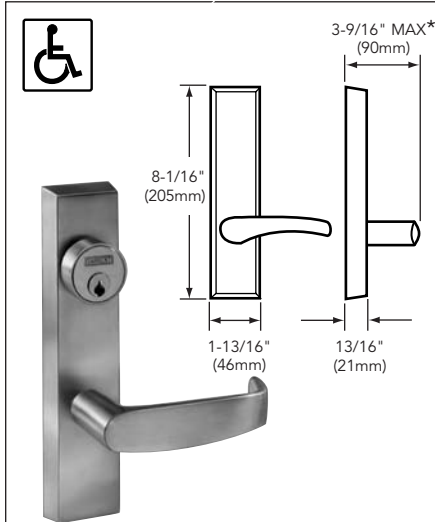
|                                |   |
|--------------------------------|---|
| Door Type                      | Wood or metal Doors   |
| Door Thickness                 | 1-3/4" (44mm) minimum thickness. For doors over 1-3/4" to 2-1/4" thick, specify thickness and order as 31-    |
| Stile                          | 4-1/2" (114mm) minimum stile width  |
| Mounting                       | Supplied standard with wood and machine screws<br>Available with through-bolts and mortise nuts               |
| Chassis Cover                  | Cold drawn stainless steel, brass or bronze with ANSI/BHMA Finishes   |
| Chassis                        | Nonferrous alloy (Panic) Ferrous alloy (Fire Rated)   |
| Rails                          | Roll Formed Stainless Steel, Brass or Bronze with ANSI/BHMA Finishes  |
| Hand                           | Non-handed  |
| Dogging Feature (Non 12- only) | Hex key dogging standard on non fired rated devices; specify 16- for cylinder dogging (#41 cylinder supplied) |
| Latchbolt                      | Stainless steel, 3/4" (19mm) throw  |
| Strike                         | 649 Strike supplied standard for panic & fire rated openings  |
| Fire Exit Hardware             | See chart - Page 6  |

### The 8888/8810 Rim Exit Device

- ANSI/BHMA A156.3 - Grade 1
- UL10C (Fire) and UL305 (Panic) Listed
- Device is non-handed
- ANSI/BHMA architectural finishes
- Four standard sizes available

To Order: Specify options, 8888 or 8810, Rail Size and Finish  
Example: 12-19-8888F x 32D

### 700 Series ET Control



The 700 Series ET Control is sold separately from the exit device and can be used with 8888 & 8810 Exit Device. The trim is non handed and is through-bolted to the chassis for greater security and durability. Available in 7 functions and SARGENT Studio, Coastal and standard lever designs to accommodate most requirements.

- ANSI/BHMA Finishes
- Easy operating lever handle allows convenient one hand operation
- ET trim is not available in 32 or 32D
- Stainless steel levers are available

### Rail Chart

- Rails are available in 4 sizes, use door width to determine size needed.
- Rails will be factory cut to size if door width is supplied or can be cut in the field

| Stock Size | Door Widths                 | Remarks                                  |
|------------|-----------------------------|--|
| E          | 24" to 32" (61cm to 81cm)   | No cutting required for 32" (81cm) door  |
| F          | 33" to 36" (84cm to 91cm)   | No cutting required for 36" (91cm) door  |
| J          | 37" to 42" (94cm to 107cm)  | No cutting required for 42" (107cm) door |
| G          | 43" to 48" (110cm to 122cm) | No cutting required for 48" (122cm) door |

### 88 Lever and Rose Trim



LB  
ROSE: L  
LEVER: B



- The 88 Lever and Rose Trim is sold separately from the exit device and can be used with 8888 & 8810 Exit Device.
- The trim is non handed and is through-bolted to the chassis for greater security and durability. Available in 4 functions and 4 lever designs to accommodate most requirements.

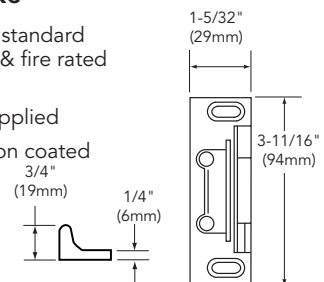
### 688 Trim Retrofit Kit

- 688 Trim Retrofit kit allows an 8810/8888 rim exit with an ET to replace Von Duprin's 98/99 series exit with trim with minimal door prep.
- Order as: 688 Kit



### 649 Strike

- Supplied standard for panic & fire rated openings
- Surface applied
- Black nylon coated



# 8800 Rim Exit Device

80 Series

**SARGENT**  
**ASSA ABLOY**

## 8800 Series Rim Exit Device



### 8800 Features

- Designed for standard width stile applications on wood and metal doors
- Also available as an HC8800 or WS8800 for hurricane-resistant applications, see Hurricane-Resistant section of this catalog
- Single point rim latching device
- Single door & double door applications with mullions
- Quiet operation and solid security
- ANSI/BHMA A156.3 - Grade 1
- UL10C (Fire) and UL305 (Panic) Listed

### Specifications 8800 Series Rim Exit Device

|  |   |
|--|---|
| Door Type                              | Metal Doors   |
| Door Thickness                         | 1-3/4" (44mm) minimum thickness. For doors over 1-3/4" to 2 1/4" thick, specify thickness and order as 31-  |
| Stile                                  | 4-1/2" (114mm) minimum stile width  |
| Rail sizes as determined by door width | Rails are available in 4 sizes, use door width to determine size needed. Rails will be factory cut to size, if door width is supplied. <ul style="list-style-type: none"> <li>• E Rail for 24" to 32" door widths, No cutting required for 32" door</li> <li>• F Rail for 33" to 36" door widths, No cutting required for 36" door</li> <li>• J Rail for 37" to 42" door widths, No cutting required for 42" door</li> <li>• G Rail for 43" to 48" door widths, No cutting required for 48" door</li> </ul> |
| Strike                                 | 649 Standard Black Nylon Coated   |
| Optional Strikes                       | 642, 644 and 613  |
| Dogging Feature                        | Hex key dogging standard on non fired rated devices; specify 16- for cylinder dogging (#41 cylinder supplied)   |
| Electric Options                       | AL- Alarm<br>PL- SARGuide Photoluminescent Coated<br>TL- SARGuide Illuminated Touchpad  |
|  | 49- Indicator<br>53- LX Latchbolt Monitor<br>54- Outside Lever Monitoring<br>55- Request-to-Exit Signal - Rail Monitoring<br>56- Remote Latch Retraction<br>57- Delay Egress & Electromagnets<br>58- Electric Dogging<br>59- Electroguard – Self Contained Delayed Egress   |
| Mounting Fasteners                     | Supplied standard with wood and machine screws<br>Available with through-bolts and mortise (sex) nuts   |
| Latch Bolt                             | Stainless steel, 3/4" (19mm) throw  |
| Device Centerline from Finished Floor  | 41" (1041 mm) for Standard Applications   |
| Center Case Dimensions                 | 8-3/8" (213mm) x 2-5/8" (67mm)  |
| Projection                             | Pushbar Neutral – 3" (76 mm)<br>Pushbar Depressed – 2-1/8" (54 mm)  |
| Fire Exit Hardware                     | See Chart – Page 6  |

### 49- Lock/Unlock Indicator Option



- Displays whether the door has been secured by the inside cylinder.
- Red icon indicates locked
- White icon indicates unlocked
- Dogging overrides 49- functionality (must order less dogging)
- Available on 8816 and 8866 functions only

### 649 Strike



- Supplied standard for panic & fire rated openings
- Surface applied
- Black nylon coated

### 688 Trim Retrofit Kit

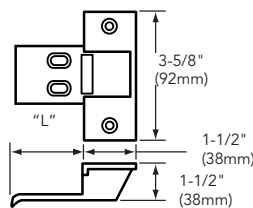


- 688 Trim Retrofit kit allows an 8800\* Series rim exit with an ET to replace Von Duprin's 98/99 Series exit with trim with minimal door prep.
- \* Except for 16 function

- Order as: 688 Kit

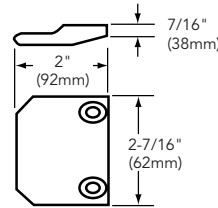
### Alternate Strikes For 8800 Rim Devices

#### 642 Strike



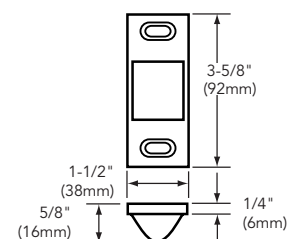
- Mortised. Dimension "L" equals door thickness plus 1/2" (13mm). Black nylon coated on lip only

#### 644 Strike



- Surface applied. For use on pairs of doors without mullion. Ductile Iron. Black nylon coated

#### 613 Strike



- Half mortised. Black nylon coated

Experience a safer and more open world

Copyright © 1998-2021, SARGENT Manufacturing Company. All rights reserved. Reproduction in whole or in part without the express written permission of SARGENT Manufacturing Company is prohibited. Patent pending and/or patent www.assaabloyds.com/patents.

90641 10/21