

80 Series Parts Manual



For assistance, contact SARGENT at
800-727-5477 or www.sargentlock.com

Experience a safer
and more open world

Copyright © 2017-2021, SARGENT Manufacturing Company. All rights reserved. Reproduction in whole or in part without the express written permission of SARGENT Manufacturing Company is prohibited.

 **WARNING**

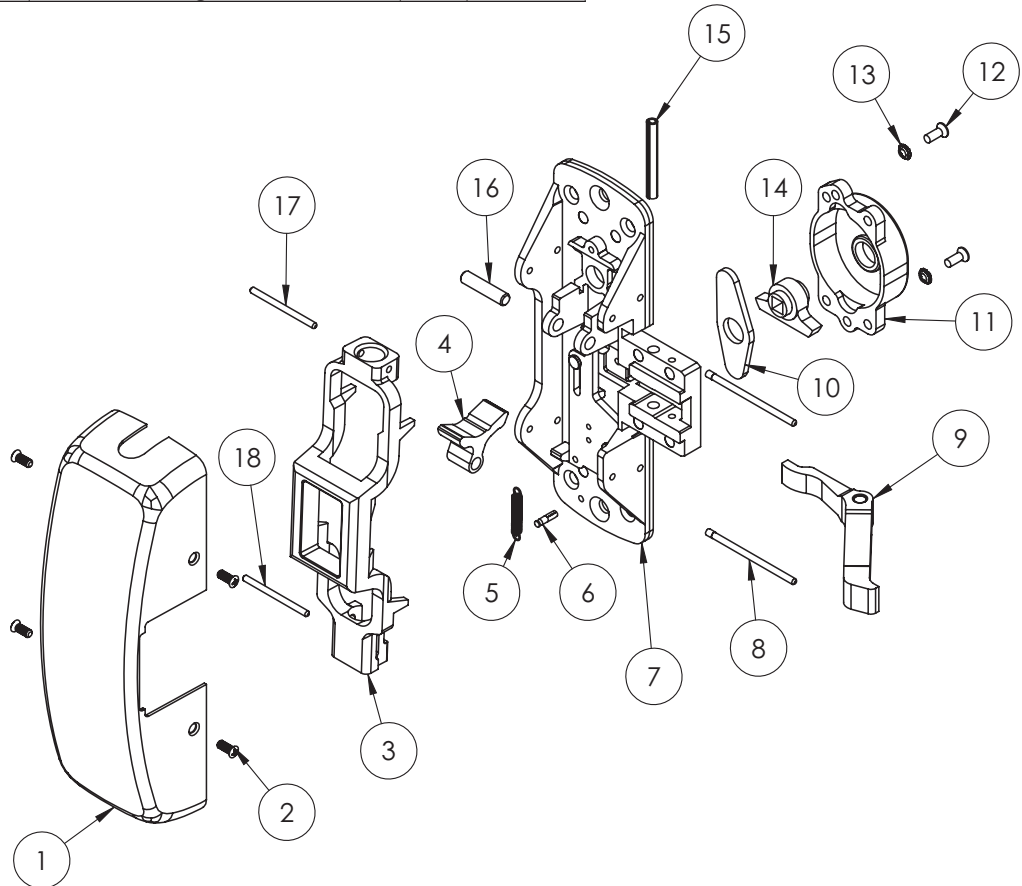
This product can expose you to lead which is known to the state of California to cause cancer and birth defects or other reproductive harm. For more information go to www.P65warnings.ca.gov.

A82311L 04/21

Function	Assembly No.	Description	Sellable
06, 13	68-2201 (LHRB)	Chassis Assembly	Yes
	68-2202 (RHRB)		Yes

Item	Assy No.	Part No.	Description	Qty	Sellable	
1	N/A	68-0405	Chassis Cover*	1	Yes	
2		97-2563	Auxillary Screw Pack*	1	Yes	
3	68-2201(LHRB) 68-2202(RHRB)	68-0327	Main Slide	1	Yes	
4		68-1090	Lift Lever	1	Yes	
5		97-0050	Knob Return Spring	1	Yes	
6		01-0749	Groove Pin	1	No	
7		68-2413	Chassis and Slide Assembly, LHRB	1	No	
		68-2414	Chassis and Slide Assembly, RHRB		No	
8		68-0323	Chassis Pin	2	Yes	
9		68-0241	Lift Arm	1	Yes	
10		97-0043	Knob Hub Retainer	1	Yes	
11		68-0367	Knob Hub Cover	2	Yes	
12		01-3384	8-32x7/16 PH FH MS	2	Yes	
13		01-0930	Countersunk Lock Washer	2	Yes	
14		97-0042	Knob Hub	1	Yes	
15		01-4512	Spirol Pin	1	Yes	
16		68-0324	Lift Lever Pivot Pin	1	Yes	
17		N/A	97-0049	Top Rod Adjustment Pin	1	Yes
18			97-0048	Bottom Rod Adjustment Pin	1	Yes
19			68-5991	Mounting Screw Pack	1	Yes

*Specify Finish



A8231L 04/21

The warranty on SARGENT® products becomes void if the product is modified in any way, regardless of whether the modification causes or contributes to any alleged defect. If a SARGENT product is modified it may no longer meet industry certification and quality control standards applicable to the original product and is no longer a genuine SARGENT product.