

80 Series Parts Manual



For assistance, contact SARGENT at
800-727-5477 or www.sargentlock.com

Experience a safer
and more open world

Copyright © 2017-2021, SARGENT Manufacturing Company. All rights reserved. Reproduction in whole or in part without the express written permission of SARGENT Manufacturing Company is prohibited.

 **WARNING**

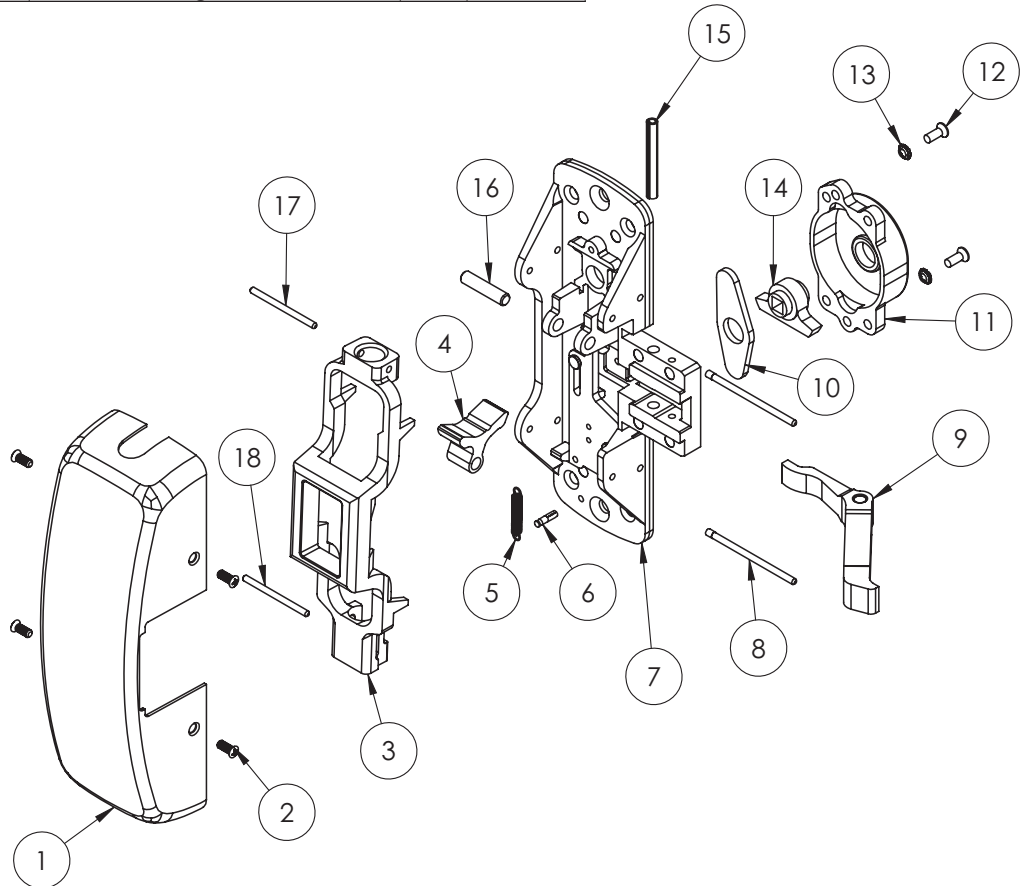
This product can expose you to lead which is known to the state of California to cause cancer and birth defects or other reproductive harm. For more information go to www.P65warnings.ca.gov.

A82311L 04/21

Function	Assembly No.	Description	Sellable
06, 13	68-2201 (LHRB)	Chassis Assembly	Yes
	68-2202 (RHRB)		Yes

Item	Assy No.	Part No.	Description	Qty	Sellable	
1	N/A	68-0405	Chassis Cover*	1	Yes	
2		97-2563	Auxillary Screw Pack*	1	Yes	
3	68-2201(LHRB) 68-2202(RHRB)	68-0327	Main Slide	1	Yes	
4		68-1090	Lift Lever	1	Yes	
5		97-0050	Knob Return Spring	1	Yes	
6		01-0749	Groove Pin	1	No	
7		68-2413	Chassis and Slide Assembly, LHRB	1	No	
		68-2414	Chassis and Slide Assembly, RHRB		No	
8		68-0323	Chassis Pin	2	Yes	
9		68-0241	Lift Arm	1	Yes	
10		97-0043	Knob Hub Retainer	1	Yes	
11		68-0367	Knob Hub Cover	2	Yes	
12		01-3384	8-32x7/16 PH FH MS	2	Yes	
13		01-0930	Countersunk Lock Washer	2	Yes	
14		97-0042	Knob Hub	1	Yes	
15		01-4512	Spirol Pin	1	Yes	
16		68-0324	Lift Lever Pivot Pin	1	Yes	
17		N/A	97-0049	Top Rod Adjustment Pin	1	Yes
18			97-0048	Bottom Rod Adjustment Pin	1	Yes
19			68-5991	Mounting Screw Pack	1	Yes

*Specify Finish



A8231.L 04/21

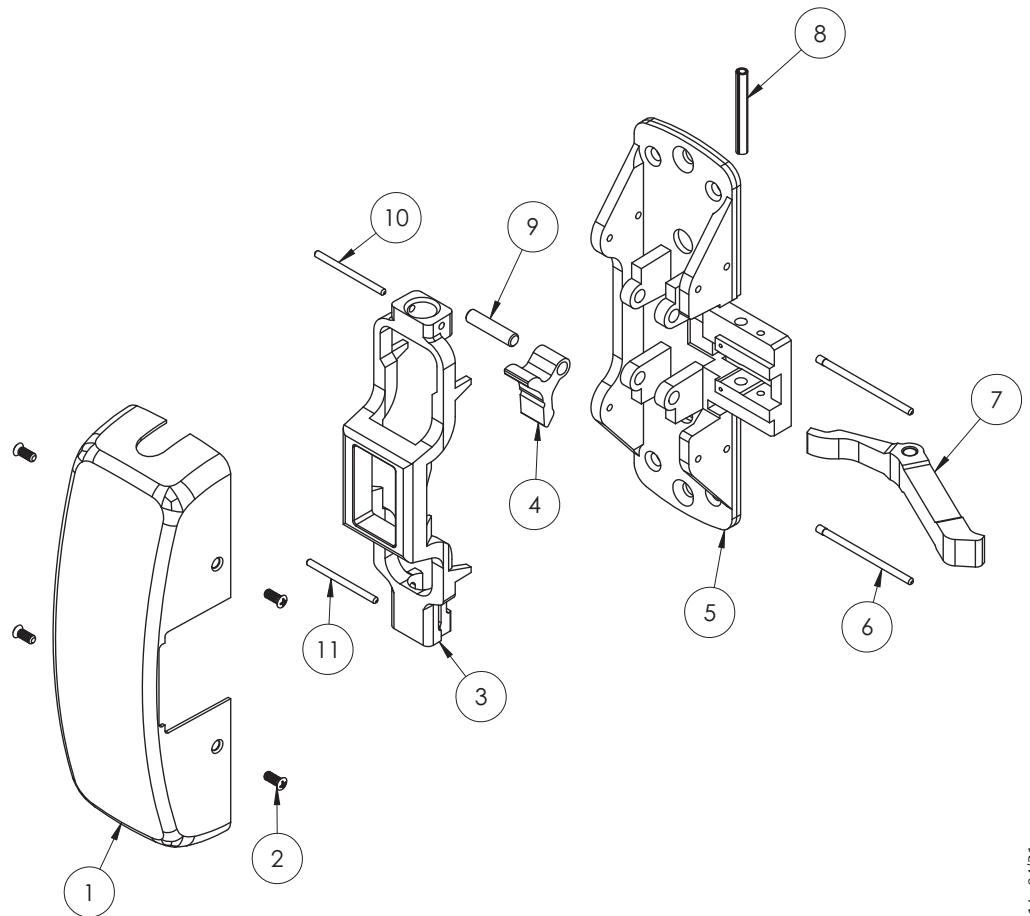
The warranty on SARGENT® products becomes void if the product is modified in any way, regardless of whether the modification causes or contributes to any alleged defect. If a SARGENT product is modified it may no longer meet industry certification and quality control standards applicable to the original product and is no longer a genuine SARGENT product.

STD 8710 8740
 12-
 HC-
 12-HC-

Function	Assembly No.	Description	Sellable
10, 40	68-2163 (LHRB)	Chassis Assembly	Yes
	68-2164 (RHRB)		Yes

Item	Assy No.	Part No.	Description	Qty	Sellable
1	N/A	68-0405	Chassis Cover*	1	Yes
2		68-2113	Screw Pack*	1	Yes
3	68-2163(LHRB) 68-2164(RHRB)	68-0327	Main Slide	1	Yes
4		68-1090	Lift Lever	1	Yes
5		68-0326	Chassis	1	Yes
6		68-0323	Chassis Pin	2	Yes
7		68-0241	Lift Arm	1	Yes
8		01-4512	Spirol Pin	1	Yes
9		68-0324	Lift Lever Pivot Pin	1	Yes
10	N/A	97-0049	Top Rod Adjustment Pin	1	Yes
11		97-0048	Bottom Rod Adjustment Pin	1	Yes
12		68-5991	Mounting Screw Pack	1	Yes

*Specify Finish



Experience a safer
 and more open world

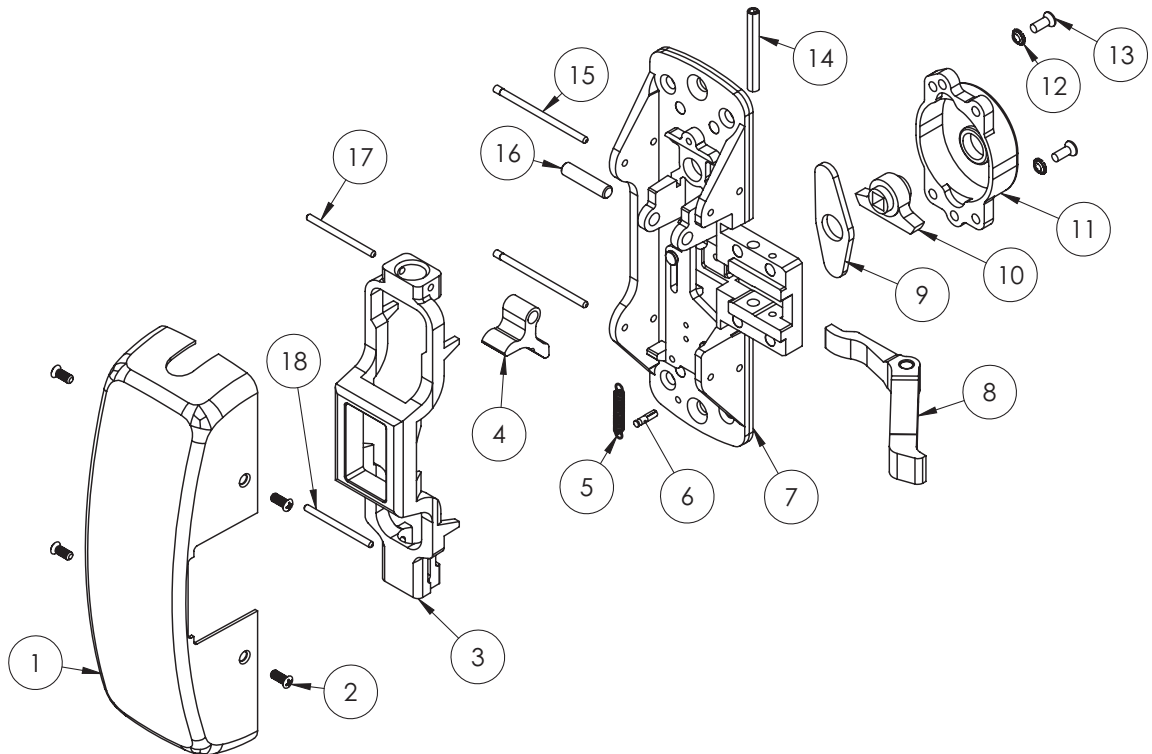
The warranty on SARGENT® products becomes void if the product is modified in any way, regardless of whether the modification causes or contributes to any alleged defect. If a SARGENT product is modified it may no longer meet industry certification and quality control standards applicable to the original product and is no longer a genuine SARGENT product.

Copyright © 2017-2021, SARGENT Manufacturing Company. All rights reserved. Reproduction in whole or in part without the express written permission of SARGENT Manufacturing Company is prohibited.

Function	Assembly No.	Description	Sellable
15, 43, 46, 73, 74	68-2207 (LHRB)	Chassis Assembly	Yes
	68-2208 (RHRB)		Yes

Item	Assy No.	Part No.	Description	Qty	Sellable
1	N/A	68-0405	Chassis Cover*	1	Yes
2		97-2563	Cover Screw Pack*	1	Yes
3	68-2207(LHRB) 68-2208(RHRB)	68-0327	Main Slide	1	Yes
4		68-1090	Lift Lever	1	Yes
5		97-0050	Knob Return Spring	1	Yes
6		01-0749	Groove Pin	1	No
7		68-2413	Chassis and Slide Assembly, LHRB	1	No
		68-2414	Chassis and Slide Assembly, RHRB		No
8		68-1137	Lift Arm	1	Yes
9		97-0043	Knob Hub Retainer	1	Yes
10		97-0042	Knob Hub	1	Yes
11		68-0367	Knob Hub Cover	2	Yes
12		01-0930	Countersunk Lock Washer	2	Yes
13		01-3384	8-32x7/16 PH FH MS	2	Yes
14		01-4512	Spirol Pin	1	Yes
15		68-0323	Chassis Pin	2	Yes
16		68-0324	Lift Lever Pivot Pin	1	Yes
17		N/A	97-0049	Top Rod Adjustment Pin	1
18	97-0048		Bottom Rod Adjustment Pin	1	Yes
19	68-5991		Mounting Screw Pack	1	Yes

*Specify Finish



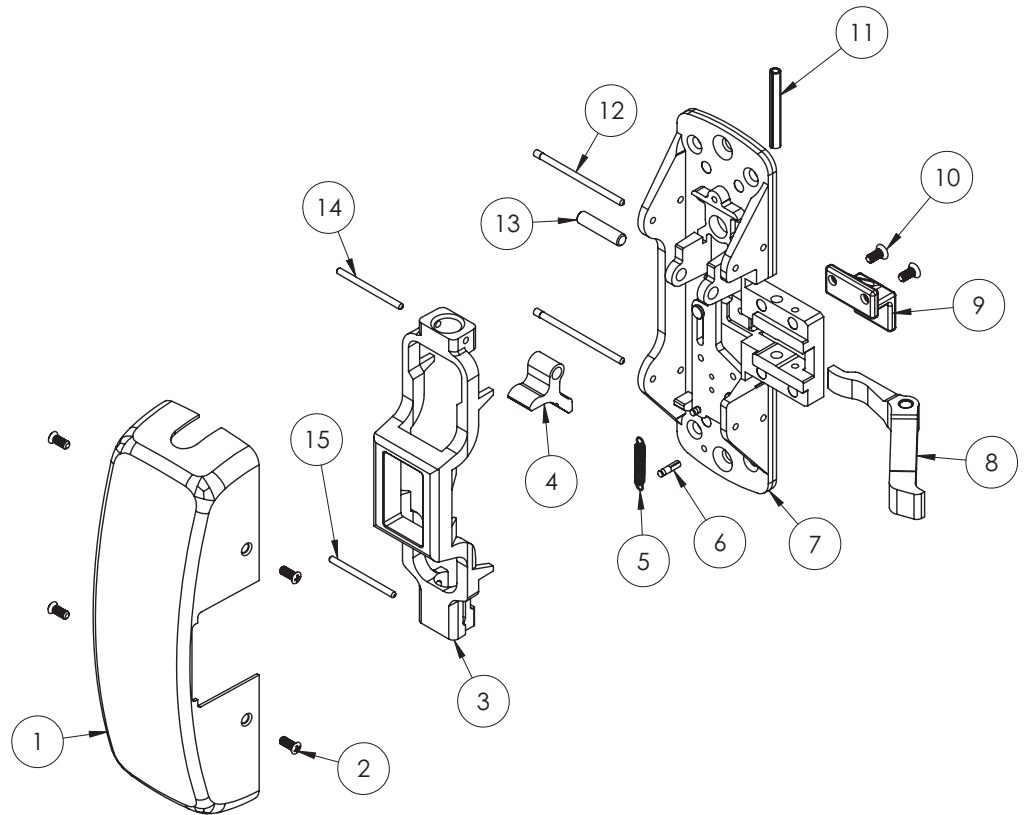
A8231L 04/21

The warranty on SARGENT® products becomes void if the product is modified in any way, regardless of whether the modification causes or contributes to any alleged defect. If a SARGENT product is modified it may no longer meet industry certification and quality control standards applicable to the original product and is no longer a genuine SARGENT product.

Function	Assembly No.	Description	Sellable
28	68-2210 (LHRB)	Chassis Assembly	Yes
	68-2211 (RHRB)		Yes

Item	Assy No.	Part No.	Description	Qty	Sellable
1	N/A	68-0405	Chassis Cover*	1	Yes
2		68-2113	Screw Pack*	1	Yes
3	68-2210(LHRB) 68-2211(RHRB)	68-0327	Main Slide	1	Yes
4		68-1090	Lift Lever	1	Yes
5		97-0050	Knob Return Spring	1	Yes
6		01-0749	Groove Pin	1	No
7		68-2415	Chassis and Slide Assembly, LHRB	1	No
		68-2416	Chassis and Slide Assembly, RHRB		No
8		68-0241	Lift Arm	1	Yes
9		97-0089	Thumb Piece Lever	1	Yes
10		01-1146	8-32x3/8 PH FH U'CUT Screw	2	Yes
11		01-4512	Spirol Pin	1	Yes
12		68-0323	Chassis Pin	2	Yes
13		68-0324	Lift Lever Pivot Pin	1	Yes
14		N/A	97-0049	Top Rod Adjustment Pin	1
15	97-0048		Bottom Rod Adjustment Pin	1	Yes
16	68-5991		Mounting Screw Pack	1	Yes

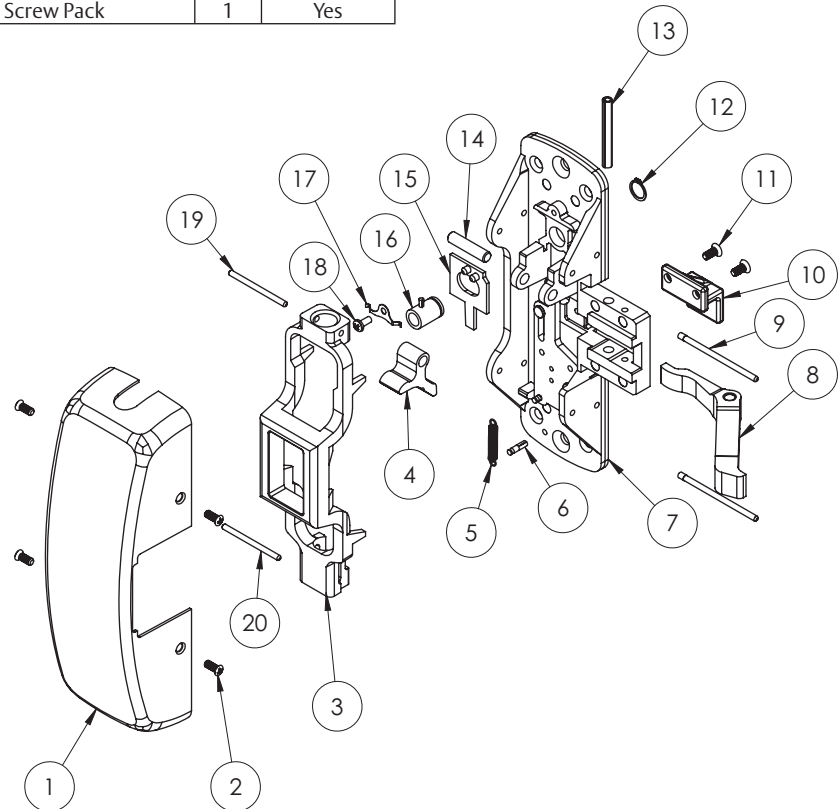
*Specify Finish



Function	Assembly No.	Description	Sellable
62, 63	68-2204 (LHRB)	Chassis Assembly	Yes
	68-2205 (RHRB)		Yes

Item	Assy No.	Part No.	Description	Qty	Sellable
1	N/A	68-0405	Chassis Cover*	1	Yes
2		68-2113	Screw Pack*	1	Yes
3	68-2204(LHRB) 68-2205(RHRB)	68-0327	Main Slide	1	Yes
4		68-1090	Lift Lever	1	Yes
5		97-0050	Knob Return Spring	1	Yes
6		01-0749	Groove Pin	1	No
7		68-2415	Chassis and Slide Assembly, LHRB	1	No
		68-2416	Chassis and Slide Assembly, RHRB		No
8		68-0241	Lift Arm	1	Yes
9		68-0323	Chassis Pin	2	Yes
10		97-0089	Thumb Piece Lever	1	Yes
11		01-1146	8-32x3/8 PH FH U'CUT Screw	2	Yes
12		01-0005	Retaining Ring	1	Yes
13		01-4512	Spirol Pin	1	Yes
14		68-0324	Lift Lever Pivot Pin	1	Yes
15		68-2198	Locking Slide Assembly, LHRB	1	Yes
		68-2199	Locking Slide Assembly, RHRB		Yes
16		97-2048	Cylinder Hub and Pin Assembly	1	Yes
17		68-0368	Locking Slide Spring, LHRB	1	Yes
		97-0006	Locking Slide Spring, RHRB		Yes
18	01-1190	6-32x5/16 PH PNHD Self Tap	1	Yes	
19	N/A	97-0049	Top Rod Adjustment Pin	1	Yes
20		97-0048	Bottom Rod Adjustment Pin	1	Yes
21		68-5991	Mounting Screw Pack	1	Yes

*Specify Finish



A8231.L 04/21

The warranty on SARGENT® products becomes void if the product is modified in any way, regardless of whether the modification causes or contributes to any alleged defect. If a SARGENT product is modified it may no longer meet industry certification and quality control standards applicable to the original product and is no longer a genuine SARGENT product.

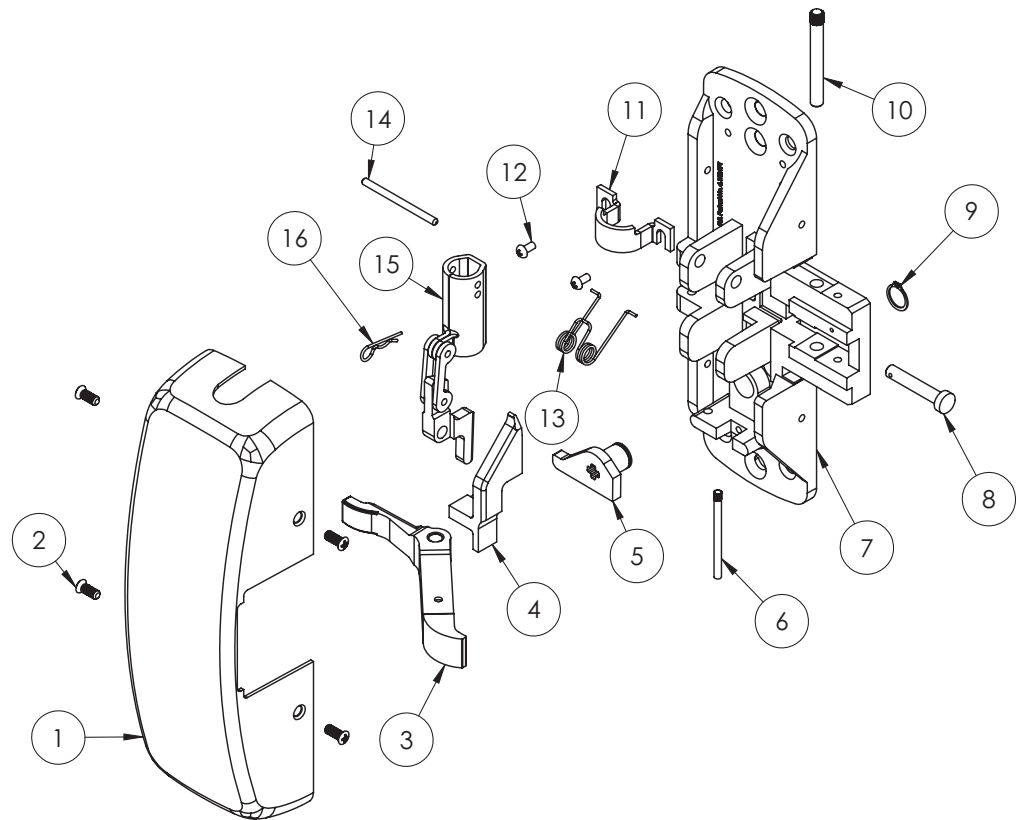
12-NB	8706	8710	8713
NB	8715	8740	8743
	8746	8773	8774

SARGENT
ASSA ABLOY

Function	Assembly No.	Description	Sellable
(All Functions)	68-4568 (LHRB)	Chassis Assembly	Yes
	68-4569 (RHRB)		Yes

Item	Assy No.	Part No.	Description	Qty	Sellable
1	N/A	68-0405	Chassis Cover*	1	Yes
2		68-3905	Screw Pack (B)*	1	Yes
3	68-4568(LHRB) 68-4569(RHRB)	68-1137	Lift Arm	1	Yes
4		68-1170	Outside Actuator, LH	1	Yes
		68-1171	Outside Actuator, RH		Yes
5		68-1208	ET Cam, LH	1	Yes
		68-1209	ET Cam, RH		Yes
6		68-1184	Guide Pin	1	Yes
7		68-1205	Chassis, LH	1	Yes
		68-1206	Chassis, RH		Yes
8		68-1191	Link Pin	1	Yes
9		01-0005	Retaining Ring	1	Yes
10		68-0239	Pivot Pin	1	Yes
11		68-1180	Tube Support	1	Yes
12		01-3595	Machine Screw	2	Yes
13		68-1193	Spring, Upper Link	1	Yes
14		97-0048	Rod Adjustment Pin	1	Yes
15		68-4270	Upper Link Assembly, LHRB	1	Yes
		68-4271	Upper Link Assembly, RHRB		Yes
16	68-1210	Hair Pin	1	Yes	
17	N/A	68-5991	Mounting Screw Pack	1	Yes

*Specify Finish



The warranty on SARGENT® products becomes void if the product is modified in any way, regardless of whether the modification causes or contributes to any alleged defect. If a SARGENT product is modified it may no longer meet industry certification and quality control standards applicable to the original product and is no longer a genuine SARGENT product.

Copyright © 2017-2021, SARGENT Manufacturing Company. All rights reserved. Reproduction in whole or in part without the express written permission of SARGENT Manufacturing Company is prohibited.

Experience a safer
and more open world

12-53-
53-
12-53-HC4

12-53-HC
53-HC
53-HC4

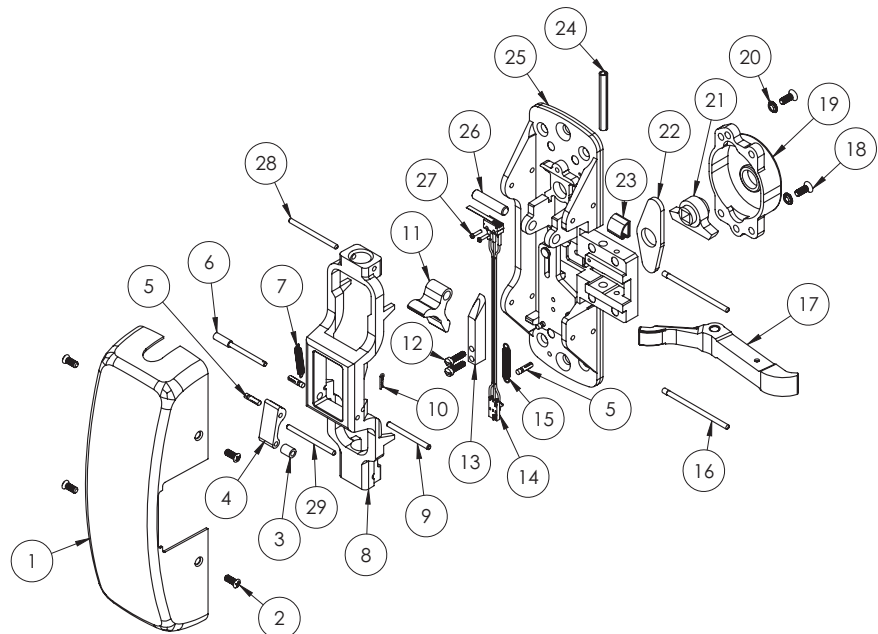
8706 8713

SARGENT
ASSA ABLOY

Function	Assembly No.	Description	Sellable
06, 13	68-3714 (LHRB)	Chassis Assembly	Yes
	68-3715 (RHRB)		Yes

Item	Assy No.	Part No.	Description	Qty	Sellable	
1	N/A	68-0405	Chassis Cover*	1	Yes	
2		97-2563	Auxillary Screw Pack*	1	Yes	
3	68-3714(LHRB) 68-3715(RHRB)	68-1768	Spacer	1	No	
4		68-1087	Locking Lever	1	No	
5		01-0749	Groove Pin	3	No	
6		68-1128	Slide Pivot Pin	1	No	
7		68-1123	Lock Lever Spring	1	No	
8		68-1671	Main Slide	1	No	
9		68-1127	Roll Pin	1	No	
10		98-0238	Guard Bracket Hairpin	1	Yes	
11		68-1090	Lift Lever	1	Yes	
12		01-4396	59-80 Machine Screw	2	No	
13		68-1092	Lift Block	1	No	
14		52-2217	Switch Assembly	1	Yes	
15		97-0050	Knob Return Spring	1	Yes	
16		68-0323	Chassis Pin	2	Yes	
17		68-1137	Lift Arm	1	Yes	
18		01-3384	8-32x7/16 PH FH MS	2	Yes	
19		68-0367	Knob Hub Cover	1	Yes	
20		01-0930	CS Lock Washer	2	Yes	
21		97-0042	Knob Hub	1	Yes	
22		97-0043	Knob Hub Retainer	1	Yes	
23		01-0150	Wire Clip	1	Yes	
24		01-4512	Spirol Pin	1	Yes	
25		68-1105	Chassis w/ Locking Slide Assembly, LHRB	1	No	
26		68-1106	Chassis w/ Locking Slide Assembly, RHRB	1	No	
27		68-0324	Lift Lever Pivot Pin	1	Yes	
28		01-4381	Machine Screw	2	No	
29		N/A	97-0049	Top Rod Adjustable Pin	1	Yes
30			97-0048	Bottom Rod Adjustable Pin	1	Yes
		68-5991	Mounting Screw Pack	1	Yes	

*Specify Finish



A8231.L 04/21

The warranty on SARGENT® products becomes void if the product is modified in any way, regardless of whether the modification causes or contributes to any alleged defect. If a SARGENT product is modified it may no longer meet industry certification and quality control standards applicable to the original product and is no longer a genuine SARGENT product.

Copyright © 2017-2021, SARGENT Manufacturing Company. All rights reserved. Reproduction in whole or in part without the express written permission of SARGENT Manufacturing Company is prohibited.

Experience a safer
and more open world

12-53-
53-
12-53-HC
53-HC

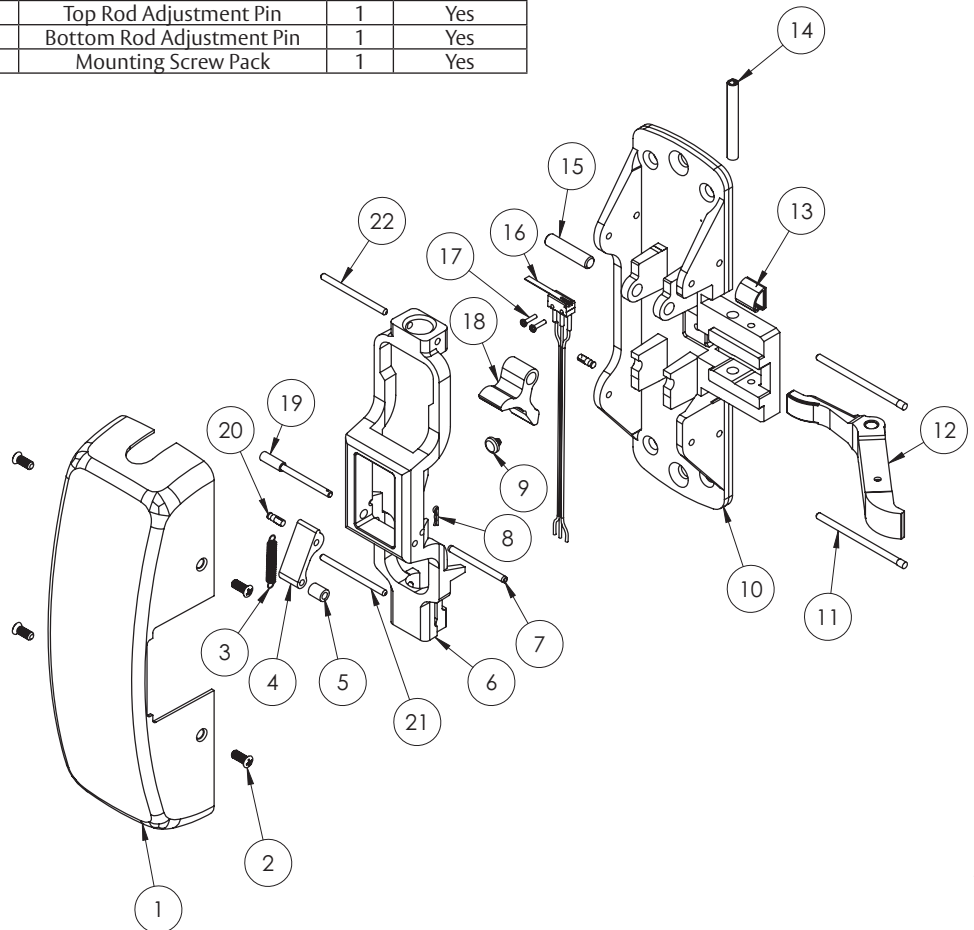
8710 8740

SARGENT
ASSA ABLOY

Function	Assembly No.	Description	Sellable
10, 40	68-3823 (LHRB)	Chassis Assembly	Yes
	68-3824 (RHRB)		Yes

Item	Assy No.	Part No.	Description	Qty	Sellable
1	N/A	68-0405	Chassis Cover*	1	Yes
2		97-2563	Auxillary Screw Pack*	1	Yes
3	68-3823(LHRB) 68-3824(RHRB)	68-1123	Spring, Locking Lever	1	No
4		68-1087	Locking Lever	1	No
5		68-1768	Spacer	1	No
6		68-1671	Main Slide	1	No
7		68-1127	Roll Pin	1	No
8		98-0238	Guard Bracket Hairpin	1	Yes
9		68-1294	Stop Pin	1	Yes
10		68-1113	Chassis, LHRB	1	No
		68-1114	Chassis, RHRB		No
11		68-0323	Chassis Pin	2	Yes
12		68-1137	Lift Arm	1	Yes
13		01-0150	Wire Clip	1	Yes
14		01-4512	Spirol Pin	1	Yes
15		68-0324	Lift Lever Pivot Pin	1	Yes
16		52-2217	Switch Assembly	1	Yes
17		01-4381	Machine Screw	2	No
18		68-1090	Lift Lever	1	Yes
19		68-1128	Slide Pivot Pin	1	No
20		01-0749	Groove Pin	2	No
21	N/A	97-0049	Top Rod Adjustment Pin	1	Yes
22		97-0048	Bottom Rod Adjustment Pin	1	Yes
23		68-5991	Mounting Screw Pack	1	Yes

*Specify Finish



The warranty on SARGENT® products becomes void if the product is modified in any way, regardless of whether the modification causes or contributes to any alleged defect. If a SARGENT product is modified it may no longer meet industry certification and quality control standards applicable to the original product and is no longer a genuine SARGENT product.

Copyright © 2017-2021, SARGENT Manufacturing Company. All rights reserved. Reproduction in whole or in part without the express written permission of SARGENT Manufacturing Company is prohibited.

Experience a safer
and more open world

41

A8231L 04/21

12-53-
53-
12-53-HC4

12-53-HC
53-HC
53-HC4

8715
8773

8743
8774

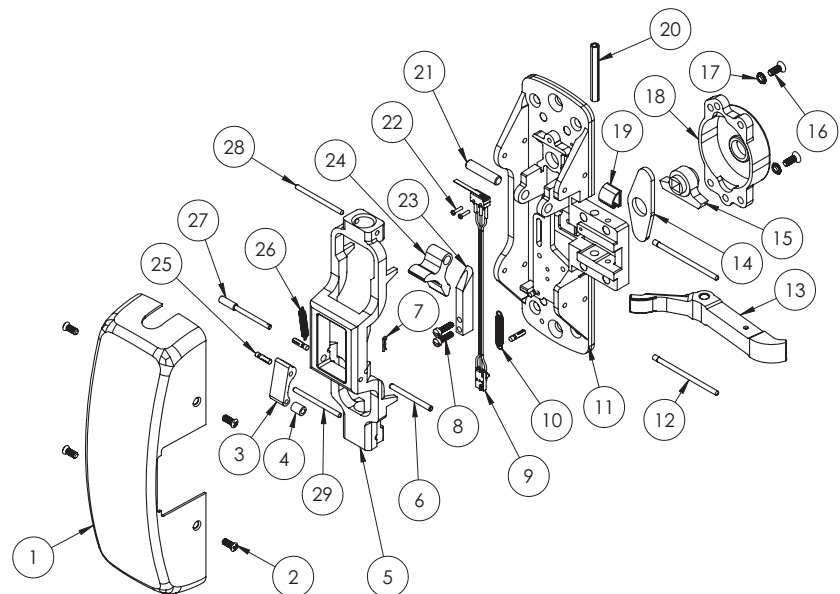
8746

SARGENT
ASSA ABLOY

Function	Assembly No.	Description	Sellable
15, 43, 46, 73, 74	68-3717 (LHRB)	Chassis Assembly	Yes
	68-3718 (RHRB)		Yes

Item	Assy No.	Part No.	Description	Qty	Sellable	
1	N/A	68-0405	Chassis Cover*	1	Yes	
2		97-2563	Auxillary Screw Pack*	1	Yes	
3	68-3717(LHRB) 68-3718(RHRB)	68-1087	Locking Lever	1	No	
4		68-1768	Spacer	1	No	
5		68-1671	Main Slide	1	No	
6		68-1127	Roll Pin	1	Yes	
7		98-0238	Guard Bracket Hairpin	1	Yes	
8		01-4396	59-80 Machine Screw	2	Yes	
9		52-2217	Switch Assembly	1	Yes	
10		97-0050	Knob Return Spring	1	Yes	
11		68-2413	Chassis w/ Locking Slide Assembly, LHRB	1	No	
		68-2414	Chassis w/ Locking Slide Assembly, RHRB		No	
12		68-0323	Chassis Pin	2	Yes	
13		68-1137	Lift Arm	1	Yes	
14		97-0043	Knob Hub Retainer	1	Yes	
15		97-0042	Knob Hub	1	Yes	
16		01-3384	8-32x7/16 PH FH MS	2	Yes	
17		01-0930	Countersunk Lock Washer	2	Yes	
18		68-0367	Knob Hub Cover	1	Yes	
19		01-0150	Wire Clip	1	Yes	
20		01-4512	Spirol Pin	1	Yes	
21		68-0324	Lift Lever Pivot Pin	1	Yes	
22		01-4381	Machine Screw	2	Yes	
23		68-1092	Lift Block	1	Yes	
24		68-1090	Lift Lever	1	Yes	
25		01-0749	Groove Pin	3	No	
26		68-1123	Spring, Locking Lever	1	No	
27		68-1128	Slide Pivot Pin	1	No	
28		N/A	97-0049	Top Rod Adjustment Pin	1	Yes
29			97-0048	Bottom Rod Adjustment Pin	1	Yes
30			68-5991	Mounting Screw Pack	1	Yes

*Specify Finish



A8231.L 04/21

The warranty on SARGENT® products becomes void if the product is modified in any way, regardless of whether the modification causes or contributes to any alleged defect. If a SARGENT product is modified it may no longer meet industry certification and quality control standards applicable to the original product and is no longer a genuine SARGENT product.

42

Copyright © 2017-2021, SARGENT Manufacturing Company. All rights reserved. Reproduction in whole or in part without the express written permission of SARGENT Manufacturing Company is prohibited.

Experience a safer
and more open world

12-53-
53-
12-53-HC4
53-HC4

12-53-HC
53-HC

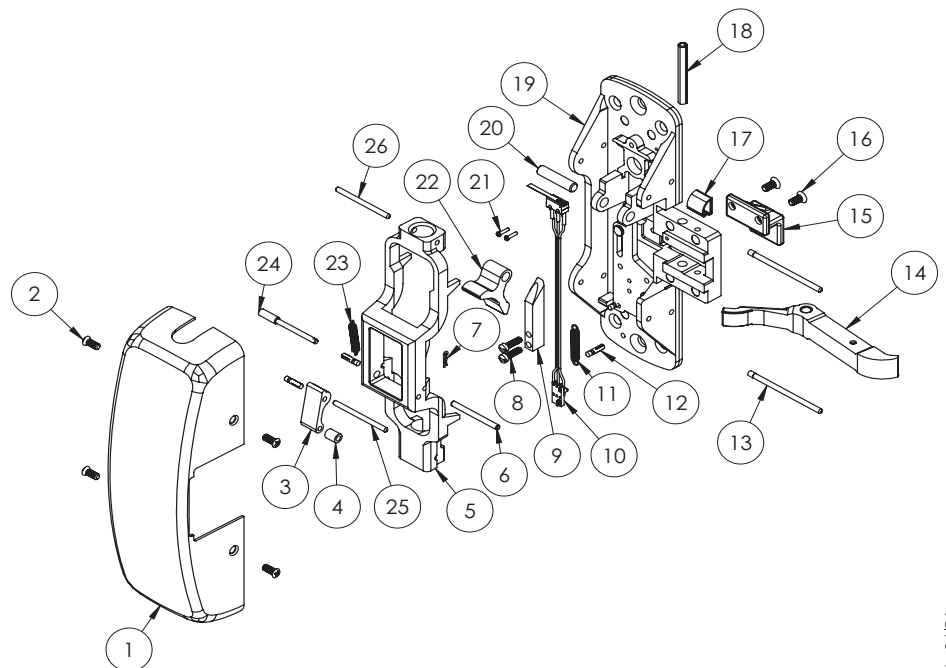
8728

SARGENT
ASSA ABLOY

Function	Assembly No.	Description	Sellable
28	68-3829 (LHRB)	Chassis Assembly	Yes
	68-3830 (RHRB)		Yes

Item	Assy No.	Part No.	Description	Qty	Sellable
1	N/A	68-0405	Chassis Cover*	1	Yes
2		68-3905	Auxillary Screw Pack*	1	Yes
3	68-3829(LHRB) 68-3830(RHRB)	68-1087	Locking Lever	1	No
4		68-1768	Spacer	1	No
5		68-1671	Main Slide	1	Yes
6		68-1127	Roll Pin	1	No
7		98-0238	Guard Bracket Hairpin	1	Yes
8		01-4396	59-80 Machine Screw	2	Yes
9		68-1092	Lift Block	1	Yes
10		52-2217	Switch Assembly	1	Yes
11		97-0050	Knob Return Spring	1	Yes
12		01-0749	Groove Pin	3	No
13		68-0323	Chassis Pin	2	Yes
14		68-1137	Lift Arm	1	Yes
15		97-0089	Thumb Piece Lever	1	Yes
16		01-1146	8-32x3/8 PH FL U'CUT W/NY	1	Yes
17		01-0150	Wire Clip	1	Yes
18		01-4512	Spirol Pin	1	Yes
19		68-2413	Chassis w/ Locking Slide Assembly, LHRB	1	No
		68-2414	Chassis w/ Locking Slide Assembly, RHRB		No
20	68-0324	Lift Lever Pivot Pin	1	Yes	
21	01-4381	Machine Screw	2	No	
22	68-1090	Lift Lever	1	Yes	
23	68-1123	Spring, Locking Lever	1	No	
24	68-1128	Slide Pivot Pin	1	No	
25	97-0048	Bottom Rod Adjustable Pin	1	Yes	
26	97-0049	Top Rod Adjustable Pin	1	Yes	
27	68-5991	Mounting Screw Pack	1	Yes	

*Specify Finish



Experience a safer
and more open world

The warranty on SARGENT® products becomes void if the product is modified in any way, regardless of whether the modification causes or contributes to any alleged defect. If a SARGENT product is modified it may no longer meet industry certification and quality control standards applicable to the original product and is no longer a genuine SARGENT product.

Copyright © 2017-2021, SARGENT Manufacturing Company. All rights reserved. Reproduction in whole or in part without the express written permission of SARGENT Manufacturing Company is prohibited.

12-53-
53-
12-53-HC
53-HC

8762 8763

SARGENT
ASSA ABLOY

Function	Assembly No.	Description	Sellable
62, 63	68-3826 (LHRB)	Chassis Assembly	Yes
	68-3827 (RHRB)		Yes

Item	Assy No.	Part No.	Description	Qty	Sellable
1	N/A	68-0405	Chassis Cover*	1	Yes
2		97-2563	Auxillary Screw Pack*	1	Yes
3	68-3826(LHRB) 68-3827(RHRB)	68-1087	Locking Lever	1	No
4		68-1768	Spacer	1	No
5		68-1671	Main Slide	1	No
6		68-1127	Roll Pin	1	No
7		98-0238	Guard Bracket Hairpin	1	Yes
8		68-1090	Lift Lever	1	Yes
9		01-4396	59-80 Machine Screw	2	Yes
10		52-2217	Switch Assembly	1	Yes
11		68-1092	Lift Block	1	Yes
12		97-0050	Knob Return Spring	1	Yes
13		68-2413	Chassis and Locking Slide Assembly, LHRB	1	No
		68-2414	Chassis and Locking Slide Assembly, RHRB		No
14		68-0323	Chassis Pin	2	Yes
15		68-1137	Lift Arm	1	Yes
16		97-0089	Thumb Piece Lever	1	Yes
17		01-1146	8-32x3/8 PH FL U'CUT W/NY	1	Yes
18		01-0150	Wire Clip	1	Yes
19		01-0005	Retaining Ring	1	Yes
20		01-4512	Spirol Pin	1	Yes
21		68-0324	Lift Lever Pivot Pin	1	Yes
22		68-2198	Locking Slide Assembly, LHRB	1	Yes
		68-2199	Locking Slide Assembly, RHRB		Yes
23		01-4381	Machine Screw	2	Yes
24		68-0368	Locking Slide Spring, LHRB	1	Yes
		97-0006	Locking Slide Spring, RHRB		Yes
25		01-1190	6-32x5/16 PH PNHD Self Tap Screw	1	Yes
26		97-2048	Cylinder Hub and Pin Assembly	1	Yes
27		68-1123	Lock Lever Spring	1	No
28		68-1128	Slide Pivot Pin	1	No
29	01-0749	Groove Pin	3	No	
30	N/A	97-0049	Top Rod Adjustable Pin	1	Yes
31		97-0048	Bottom Rod Adjustable Pin	1	Yes
32		68-5991	Mounting Screw Pack	1	Yes

*Specify Finish

A8231.L 04/21

The warranty on SARGENT® products becomes void if the product is modified in any way, regardless of whether the modification causes or contributes to any alleged defect. If a SARGENT product is modified it may no longer meet industry certification and quality control standards applicable to the original product and is no longer a genuine SARGENT product.

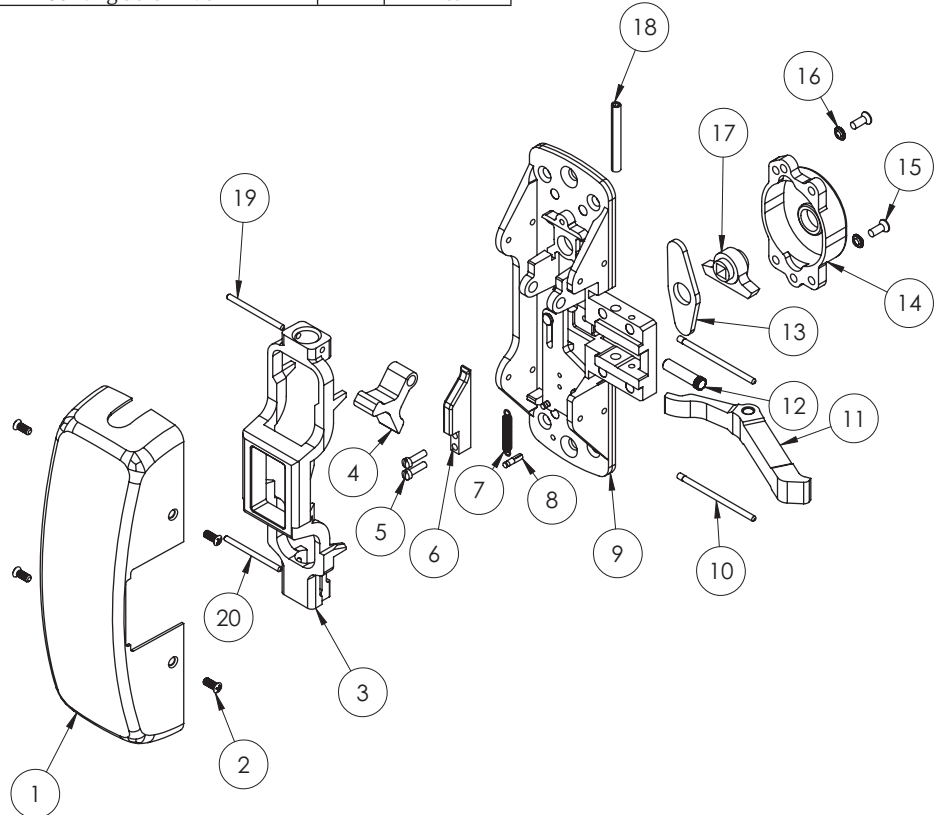
Copyright © 2017-2021, SARGENT Manufacturing Company. All rights reserved. Reproduction in whole or in part without the express written permission of SARGENT Manufacturing Company is prohibited.

Experience a safer
and more open world

Function	Assembly No.	Description	Sellable
06, 13, 43, 46	68-7306 (LHRB)	Chassis Assembly	Yes
	68-7307 (RHRB)		Yes

Item	Assy No.	Part No.	Description	Qty	Sellable
1	N/A	68-0405	Chassis Cover*	1	Yes
2		97-2563	Auxillary Screw Pack*	1	Yes
3	68-7306(LHRB) 68-7307(RHRB)	68-1664	Main Slide	1	Yes
4		68-1656	Lift Lever	1	Yes
5		01-4396	59-80 Machine Screw	2	Yes
6		68-1655	Lift Block	1	Yes
7		97-0050	Knob Return Spring	1	Yes
8		01-0749	Groove Pin	1	No
9		68-7310	Chassis and Slide Assembly, LHRB	1	No
		68-7311	Chassis and Slide Assembly, RHRB		No
10		68-0323	Chassis Pin	2	Yes
11		68-0241	Lift Arm	1	Yes
12		01-9372	Lift Lever Pivot Pin	1	Yes
13		97-0043	Knob Hub Retainer	1	Yes
14		68-0367	Knob Hub Cover	2	Yes
15		01-3384	8-32x7/16 PH FH MS	2	Yes
16		01-0930	Countersunk Lock Washer	2	Yes
17		97-0042	Knob Hub	1	Yes
18		01-4512	Spirol Pin	1	Yes
19		N/A	97-0049	Top Rod Adjustment Pin	1
20	97-0048		Bottom Rod Adjustment Pin	1	Yes
21	68-5991		Mounting Screw Pack	1	Yes

*Specify Finish



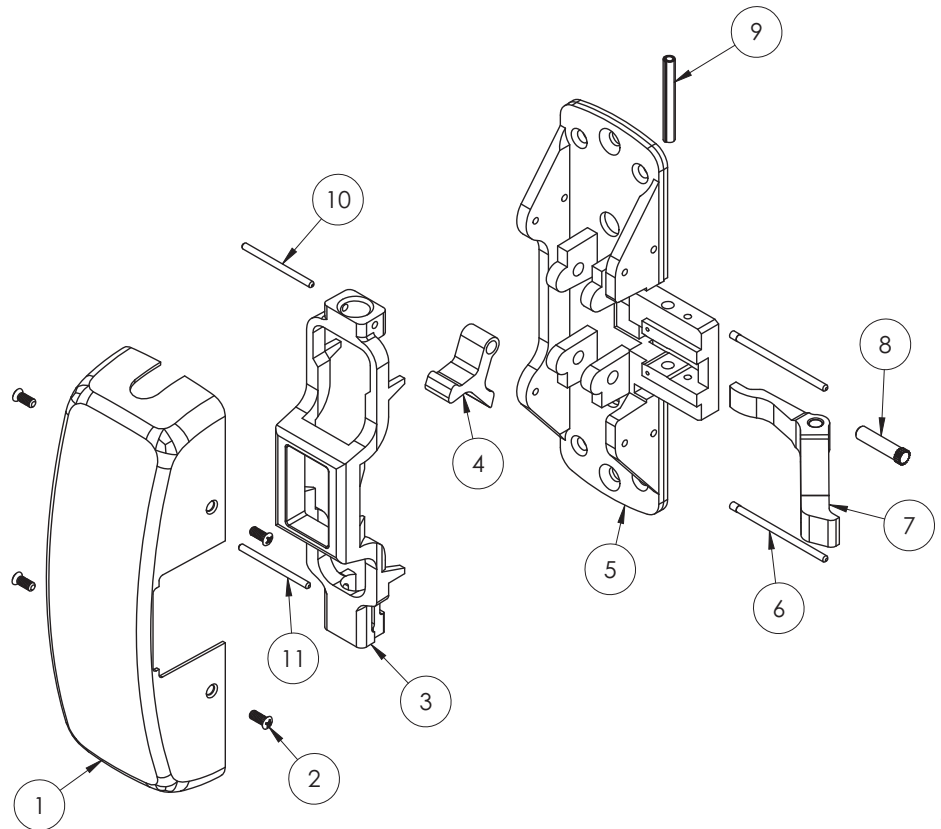
A8231L 04/21

The warranty on SARGENT® products becomes void if the product is modified in any way, regardless of whether the modification causes or contributes to any alleged defect. If a SARGENT product is modified it may no longer meet industry certification and quality control standards applicable to the original product and is no longer a genuine SARGENT product.

Function	Assembly No.	Description	Sellable
(10, 40)	68-7308 (LHRB)	Chassis Assembly	Yes
	68-7309 (RHRB)		Yes

Item	Assy No.	Part No.	Description	Qty	Sellable
1	N/A	68-0405	Chassis Cover*	1	Yes
2		97-2563	Auxillary Screw Pack*	1	Yes
3	68-7308(LHRB) 68-7309(RHRB)	68-1664	Main Slide	1	Yes
4		68-1656	Lift Lever	1	Yes
5		68-1660	Chassis	1	Yes
6		68-0323	Chassis Pin	2	Yes
7		68-0241	Lift Arm	1	Yes
8		01-9372	Lift Lever Pivot Pin	1	Yes
9	N/A	97-0049	Top Rod Adjustment Pin	1	Yes
10		97-0048	Bottom Rod Adjustment Pin	1	Yes
11		68-5991	Mounting Screw Pack	1	Yes

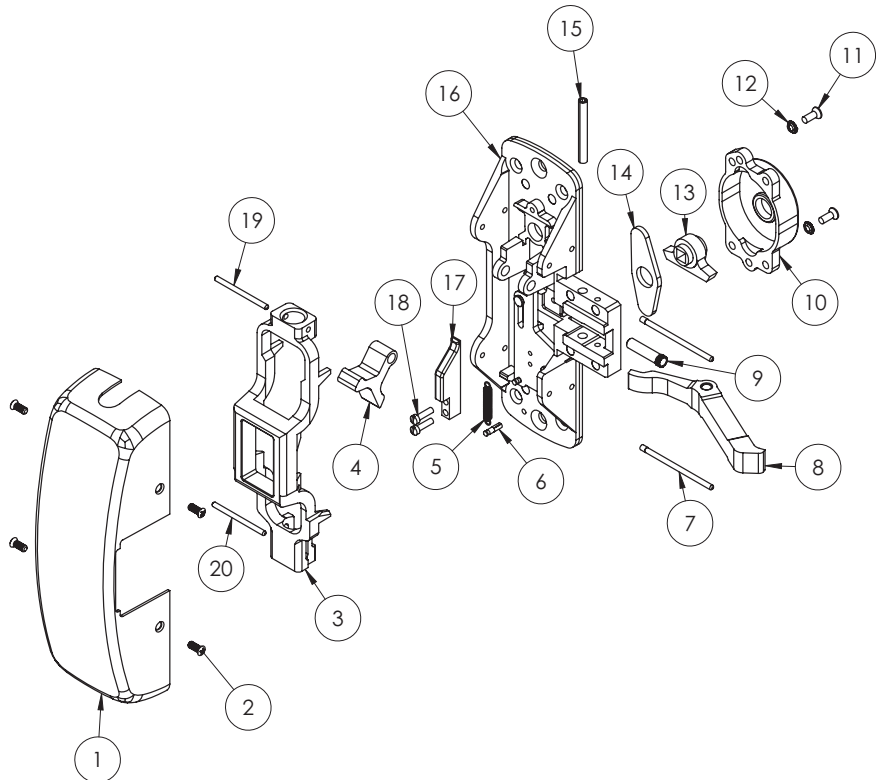
*Specify Finish



Function	Assembly No.	Description	Sellable
(15, 73, 74)	68-7312 (LHRB)	Chassis Assembly	Yes
	68-7313 (RHRB)		Yes

Item	Assy No.	Part No.	Description	Qty	Sellable
1	N/A	68-0405	Chassis Cover*	1	Yes
2		97-2563	Auxillary Screw Pack*	1	Yes
3	68-7312(LHRB) 68-7313(RHRB)	68-1664	Main Slide	1	Yes
4		68-1656	Lift Lever	1	Yes
5		97-0050	Knob Return Spring	1	Yes
6		01-0749	Groove Pin	1	No
7		68-0323	Chassis Pin	2	Yes
8		68-0241	Lift Arm	1	Yes
9		01-9372	Lift Lever Pivot Pin	1	Yes
10		68-0367	Knob Hub Cover		Yes
11		01-3384	8-32x7/16 PH FH MS	2	Yes
12		01-0930	Countersunk Lock Washer	2	Yes
13		97-0042	Knob Hub	1	Yes
14		97-0043	Knob Hub Retainer	1	Yes
15		01-4512	Spirol Pin	1	Yes
16		68-7310	Chassis and Slide Assembly, LHRB	1	No
		68-7311	Chassis and Slide Assembly, RHRB		No
17		68-1655	Lift Block	1	Yes
18		01-4396	Machine Screw #6-32x1/2	2	Yes
19	N/A	97-0049	Top Rod Adjustment Pin	1	Yes
20		97-0048	Bottom Rod Adjustment Pin	1	Yes
21		68-5991	Mounting Screw Pack	1	Yes

*Specify Finish



A8231.L 04/21

The warranty on SARGENT® products becomes void if the product is modified in any way, regardless of whether the modification causes or contributes to any alleged defect. If a SARGENT product is modified it may no longer meet industry certification and quality control standards applicable to the original product and is no longer a genuine SARGENT product.

Copyright © 2017-2021, SARGENT Manufacturing Company. All rights reserved. Reproduction in whole or in part without the express written permission of SARGENT Manufacturing Company is prohibited.

53-NB-
12-53-NB-

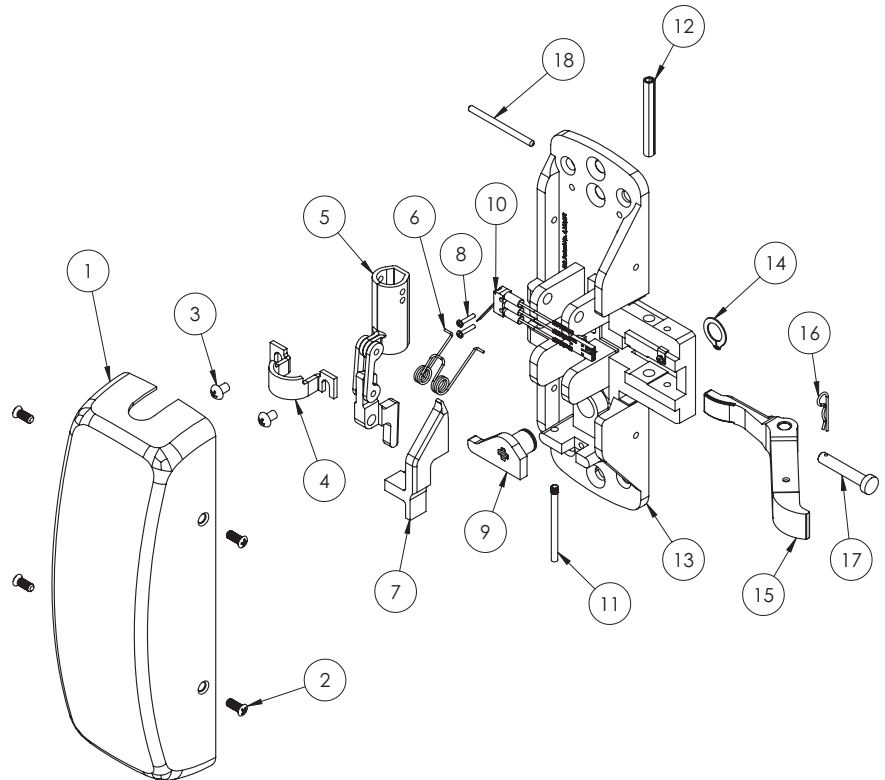
8706 8710 8713 8715
8740 8743 8746 8773
8774

SARGENT
ASSA ABLOY

Function	Assembly No.	Description	Sellable
(All Functions)	68-5449 (LHRB)	Chassis Assembly	Yes
	68-5450 (RHRB)		Yes

Item	Assy No.	Part No.	Description	Qty	Sellable
1	N/A	68-0405	Chassis Cover*	1	Yes
2		68-3905	Screw Pack (B)*	1	Yes
3	68-5449 68-5450	01-3595	#8-32x1/4" Machine Screw*	1	Yes
4		68-1180	Tube Support	1	Yes
5		68-4270	Upper Link Assembly, LHRB	1	Yes
		68-4271	Upper Link Assembly, RHRB		Yes
6		68-1193	Upper Link Spring	1	Yes
7		68-1170	Outside Actuator, LHRB	1	Yes
		68-1171	Outside Actuator, RHRB		Yes
8		01-1237	#1-72 PH Pan Head MS	1	Yes
9		68-1208	ET Cam, LH	1	Yes
		68-1209	ET Cam, RH		Yes
10		52-5133	Switch and Wire Assembly	1	Yes
11		68-1184	Guide Pin	1	Yes
12		01-4512	Spirol Pin	1	Yes
13		68-1205	Chassis, LH	1	No
		68-1206	Chassis, RH		No
14		01-0005	Retaining Ring	1	Yes
15		68-1137	Lift Arm	1	Yes
16		68-1210	Hair Pin	1	Yes
17		68-1191	Link Pin	1	Yes
18	97-0048	Bottom Rod Adjustment Pin	1	Yes	
19	N/A	68-5991	Mounting Screw Pack	1	Yes

*Specify Finish



The warranty on SARGENT® products becomes void if the product is modified in any way, regardless of whether the modification causes or contributes to any alleged defect. If a SARGENT product is modified it may no longer meet industry certification and quality control standards applicable to the original product and is no longer a genuine SARGENT product.

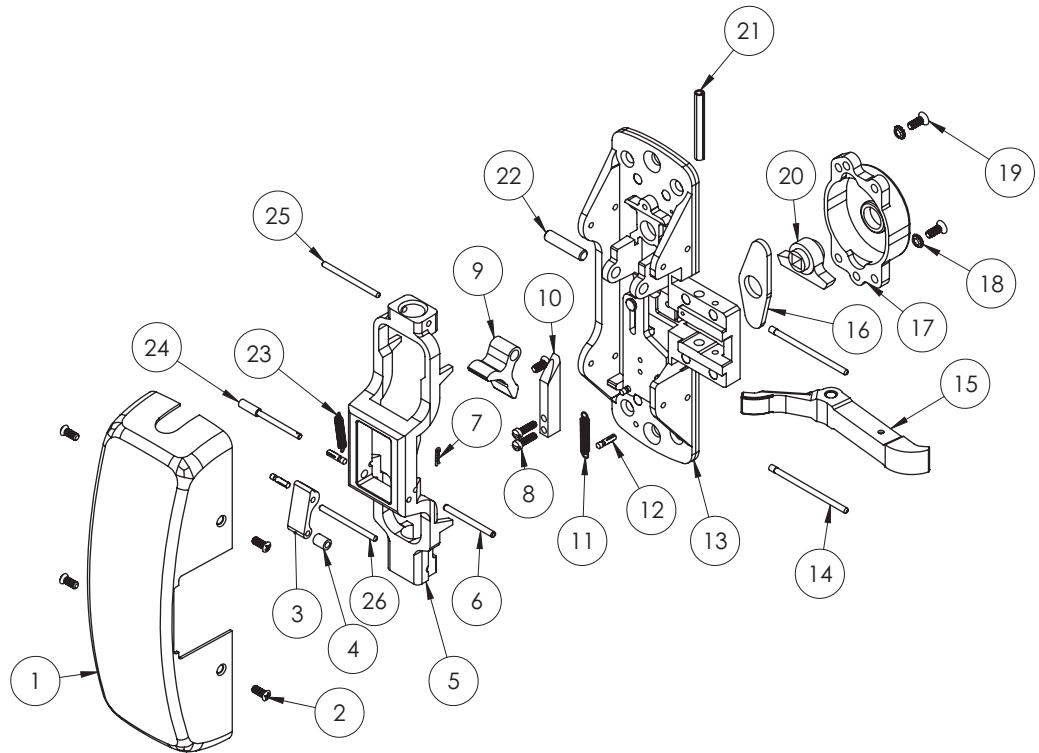
Copyright © 2017-2021, SARGENT Manufacturing Company. All rights reserved. Reproduction in whole or in part without the express written permission of SARGENT Manufacturing Company is prohibited.

Experience a safer
and more open world

Function	Assembly No.	Description	Sellable
06, 10, 13, 40	68-6042 (LHRB)	Chassis Assembly	Yes
	68-6043 (RHRB)		Yes

Item	Assy No.	Part No.	Description	Qty	Sellable
1	N/A	68-0405	Chassis Cover*	1	Yes
2		97-2563	Auxillary Screw Pack*	1	Yes
3	68-6042(LHRB) 68-6043(RHRB)	68-1087	Locking Lever	1	No
4		68-1768	Spacer	1	No
5		68-1671	Main Slide	1	Yes
6		68-1127	Roll Pin	1	No
7		98-0238	Guard Bracket Hairpin	1	Yes
8		01-4396	59-80 Machine Screw	2	No
9		68-1090	Lift Lever	1	Yes
10		68-1092	Lift Block	1	Yes
11		97-0050	Knob Return Spring	1	Yes
12		01-0749	Groove Pin	3	Yes
13		68-2413	Chassis and Slide Assembly, LHRB	1	No
14		68-2414	Chassis and Slide Assembly, RHRB	1	No
15		68-0323	Chassis Pin	2	Yes
16		68-1137	Lift Arm	1	Yes
17		97-0043	Knob Hub Retainer	1	Yes
18		68-0367	Knob Hub Cover	1	Yes
19		01-0930	Countersunk Lock Washer	2	Yes
20		01-3384	8-32x7/16 PH FH MS	2	Yes
21		97-0042	Knob Hub	1	Yes
22		01-4512	Spirol Pin	1	Yes
23		68-0324	Lift Lever Pivot Pin	2	Yes
24		68-1123	Return Spring, Guarding	1	No
25		68-1128	Slide Pivot Pin	1	No
26		N/A	97-0048	Bottom Rod Adjustment Pin	1
27	97-0049		Top Rod Adjustment Pin	1	Yes
		68-5991	Mounting Screw Pack	1	Yes

*Specify Finish



A8231L 04/21

The warranty on SARGENT® products becomes void if the product is modified in any way, regardless of whether the modification causes or contributes to any alleged defect. If a SARGENT product is modified it may no longer meet industry certification and quality control standards applicable to the original product and is no longer a genuine SARGENT product.

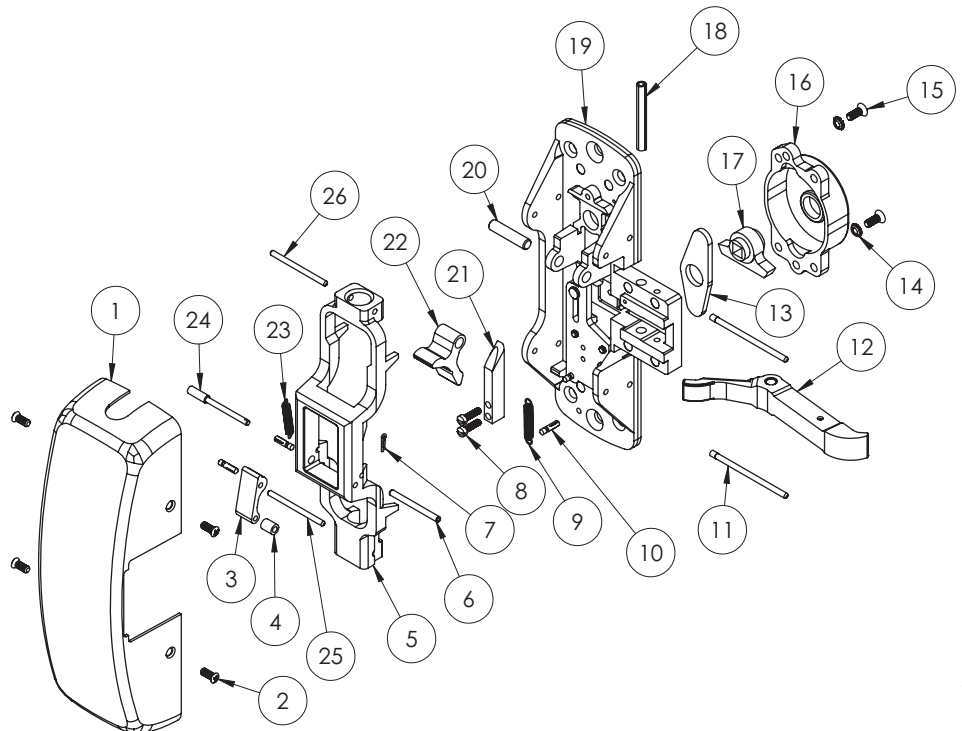
Copyright © 2017-2021, SARGENT Manufacturing Company. All rights reserved. Reproduction in whole or in part without the express written permission of SARGENT Manufacturing Company is prohibited.

12-HC4-87: 15, 43, 46, 73, 74
 HC4-87: 15, 43, 46, 73, 74

Function	Assembly No.	Description	Sellable
12, 43, 46, 73, 74	68-6044 (LHRB)	Chassis Assembly	Yes
	68-6045 (RHRB)		Yes

Item	Assy No.	Part No.	Description	Qty	Sellable
1	N/A	68-0405	Chassis Cover*	1	Yes
2		97-2563	Auxillary Screw Pack*	1	Yes
3	68-6044(LHRB) 68-6045(RHRB)	68-1087	Locking Lever	1	No
4		68-1768	Spacer	1	Yes
5		68-1671	Main Slide	1	Yes
6		68-1127	Roll Pin	1	No
7		98-0238	Guard Bracket Hairpin	1	Yes
8		01-4396	59-80 Machine Screw	2	No
9		97-0050	Knob Return Spring	1	Yes
10		01-0749	Groove Pin	3	Yes
11		68-0323	Chassis Pin	2	Yes
12		68-1137	Lift Arm	1	Yes
13		97-0043	Knob Hub Retainer	1	Yes
14		01-0930	Countersunk Lock Washer	2	Yes
15		01-3384	8-32x7/16 PH FH MS	2	Yes
16		68-0367	Knob Hub Cover	1	Yes
17		97-0042	Knob Hub	1	Yes
18		01-4512	Spirol Pin	1	Yes
19		68-2413	Chassis and Slide Assembly, LHRB	1	No
		68-2414	Chassis and Slide Assembly, RHRB		No
20	68-0324	Lift Lever Pivot Pin	2	Yes	
21	68-1092	Lift Block	1	No	
22	68-1090	Lift Lever	1	Yes	
23	68-1123	Return Spring, Guarding	1	No	
24	68-1128	Slide Pivot Pin	1	No	
25	97-0048	Bottom Rod Adjustment Pin	1	Yes	
26	97-0049	Top Rod Adjustment Pin	1	Yes	
27	N/A	68-5991	Mounting Screw Pack	1	Yes

*Specify Finish



The warranty on SARGENT® products becomes void if the product is modified in any way, regardless of whether the modification causes or contributes to any alleged defect. If a SARGENT product is modified it may no longer meet industry certification and quality control standards applicable to the original product and is no longer a genuine SARGENT product.

Copyright © 2017-2021, SARGENT Manufacturing Company. All rights reserved. Reproduction in whole or in part without the express written permission of SARGENT Manufacturing Company is prohibited.