

80 Series Parts Manual



For assistance, contact SARGENT at
800-727-5477 or www.sargentlock.com

Experience a safer
and more open world

Copyright © 2017-2021, SARGENT Manufacturing Company. All rights reserved. Reproduction in whole or in part without the express written permission of SARGENT Manufacturing Company is prohibited.

 **WARNING**

This product can expose you to lead which is known to the state of California to cause cancer and birth defects or other reproductive harm. For more information go to www.P65warnings.ca.gov.

A82311L 04/21

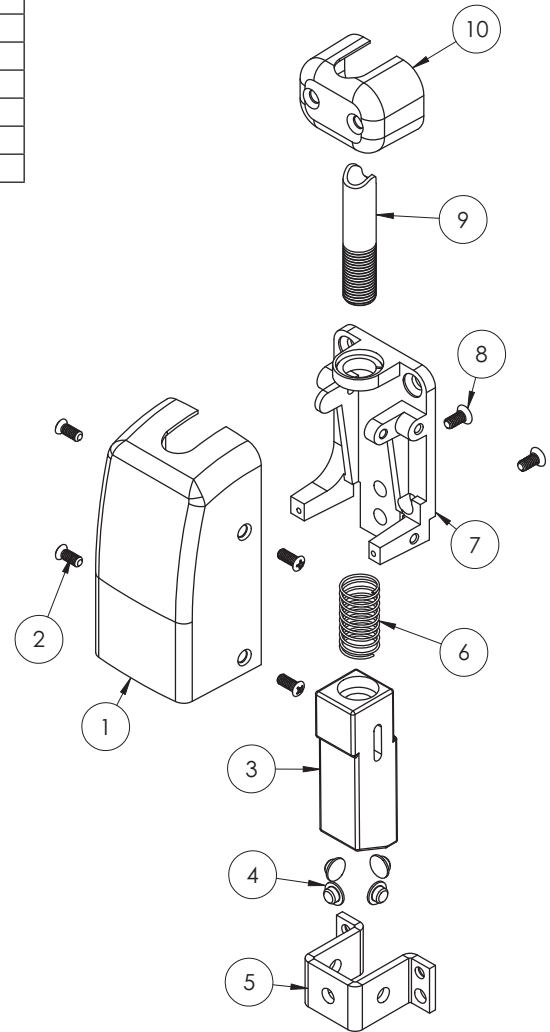
FM, 12-FM	12-	8706	8710	8713	8715
12-HC	12-HC4	8728	8740	8743	8746
HC	HC4	8762	8763	8773	8774

SARGENT
ASSA ABLOY

Function	Assembly No.	Description	Sellable
(All Functions)	97-2002	Bottom Case Assembly Manufactured Before 11/11/2002	Yes
	68-4558	Bottom Case Assembly Manufactured After 11/11/2002	Yes

Item	Assy No.	Part No.	Description	Qty	Sellable	
1	N/A	97-0392	Bottom Cover*	1	Yes	
2		68-3905	Screw Pack (B)*	1	Yes	
3	97-2002	97-0076	Bottom Bolt	1	Yes	
4		97-0305	Nylon Insert	4	Yes	
5		97-0270	Reinforcement	1	Yes	
6		97-0101	Spring, Compression	1	Yes	
7		97-0080	Chassis	1	Yes	
8		01-4404	CR-FH #6 Head 8-32 Screw	2	Yes	
3		68-4558	68-1454	Bottom Bolt	1	Yes
4			97-0305	Nylon Insert	4	Yes
5	97-0270		Reinforcement	1	Yes	
6	97-0101		Spring, Compression	1	Yes	
7	97-0080		Chassis	1	Yes	
8	01-4404	CR-FH #6 Head 8-32 Screw	2	Yes		
9	N/A	670B	Bottom Rod	1	Yes	
10		97-0020	Rod Guide*	1	Yes	
11		655	Flat Strike Pack (STD, HC)	1	Yes	
		653	Bottom Strike Pack (FM)	1	Yes	

*Specify Finish



A8231.L 04/21

The warranty on SARGENT® products becomes void if the product is modified in any way, regardless of whether the modification causes or contributes to any alleged defect. If a SARGENT product is modified it may no longer meet industry certification and quality control standards applicable to the original product and is no longer a genuine SARGENT product.

Copyright © 2017-2021, SARGENT Manufacturing Company. All rights reserved. Reproduction in whole or in part without the express written permission of SARGENT Manufacturing Company is prohibited.