

80 Series Parts Manual



For assistance, contact SARGENT at
800-727-5477 or www.sargentlock.com

Experience a safer
and more open world

Copyright © 2017-2021, SARGENT Manufacturing Company. All rights reserved. Reproduction in whole or in part without the express written permission of SARGENT Manufacturing Company is prohibited.

 **WARNING**

This product can expose you to lead which is known to the state of California to cause cancer and birth defects or other reproductive harm. For more information go to www.P65warnings.ca.gov.

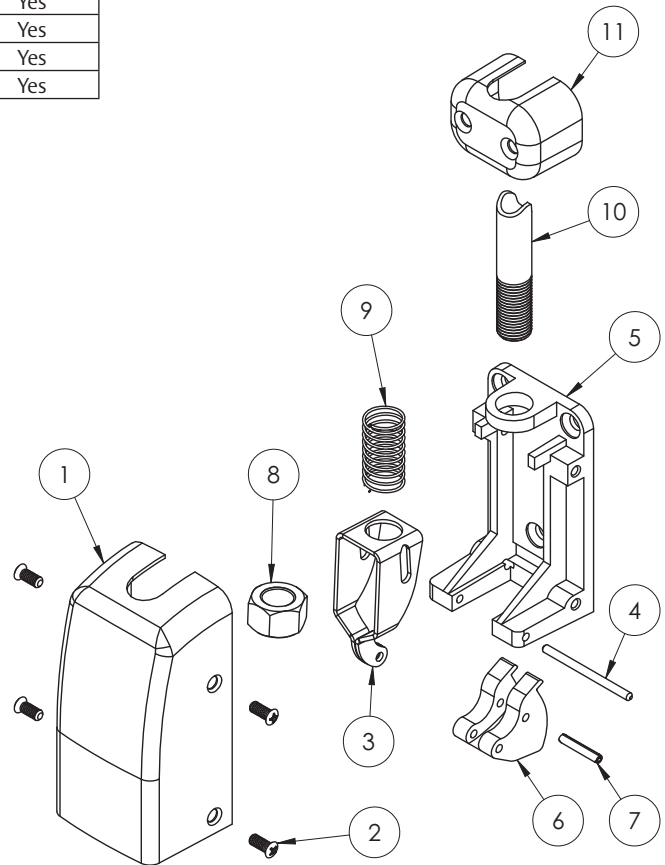
A82311L 04/21

| | | | | |
|-----|------|------|------|------|
| STD | 8706 | 8710 | 8713 | 8715 |
| | 8728 | 8740 | 8743 | 8746 |
| | 8762 | 8763 | 8773 | 8774 |

| Function | Assembly No. | Description | Sellable |
|-----------------|--|----------------------|----------|
| (All Functions) | 97-2038 (Manufactured Before 11/11/2002) | Bottom Case Assembly | Yes |
| | 68-4549 (Manufactured After 11/11/2002) | | Yes |

| Item | Assy No. | Part No. | Description | Qty | Sellable |
|------|----------|----------|----------------------------|-----|----------|
| 1 | N/A | 97-0018 | Bottom Cover* | 1 | Yes |
| 2 | | 68-3905 | Screw Pack (B)* | 1 | Yes |
| 3 | | 97-0035 | Retractor | 1 | Yes |
| 4 | 97-2038 | 97-0084 | Adjustment Pin, Bottom Rod | 1 | Yes |
| 5 | | 97-0025 | Bottom Chassis | 1 | Yes |
| 6 | | 97-0053 | Bottom Latch Bolt | 1 | Yes |
| 7 | | 01-0697 | Spirol Pin | 1 | Yes |
| 3 | | 97-0035 | Retractor | 1 | Yes |
| 4 | 68-4549 | 97-0084 | Adjustment Pin, Bottom Rod | 1 | Yes |
| 5 | | 97-0025 | Bottom Chassis | 1 | Yes |
| 6 | | 97-0053 | Bottom Latch Bolt | 1 | Yes |
| 7 | | 01-0697 | Spirol Pin | 1 | Yes |
| 8 | | 97-0572 | Rod Adjustment Nut | 1 | Yes |
| 9 | N/A | 97-0101 | Spring, Compression | 1 | Yes |
| 10 | | 670B | Bottom Rod | 1 | Yes |
| 11 | | 97-0020 | Rod Guide* | 1 | Yes |
| 12 | | 624 | Bottom Strike Pack | 1 | Yes |

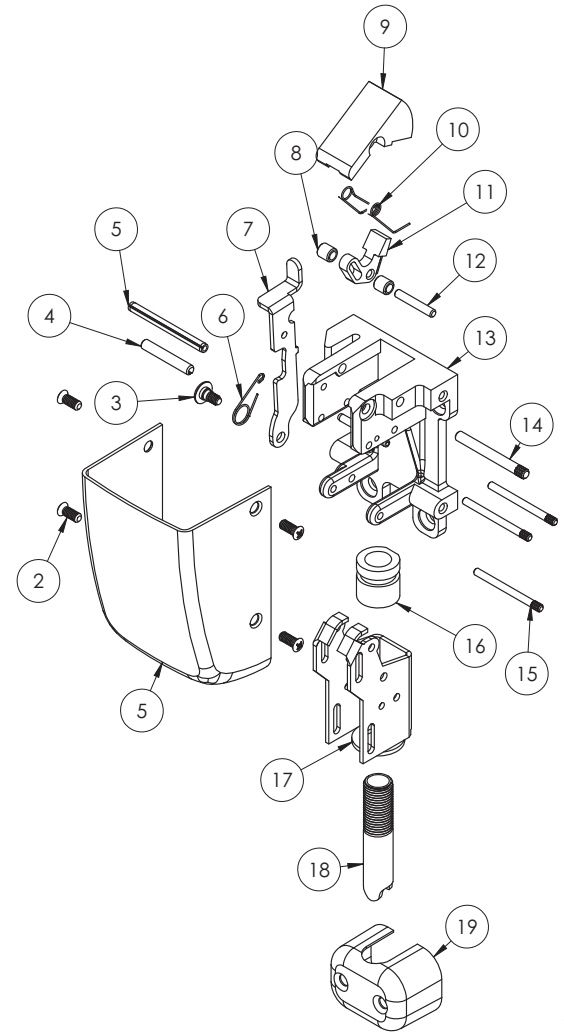
*Specify Finish



12- 8706 8710 8713 8715
 8728 8740 8743 8746
 8762 8763 8773 8774

| Function | Assembly No. | Description | Sellable |
|-----------------|---|-------------------|----------|
| (All Functions) | 97-2963 Manufactured Before 11/11/2002 | Top Case Assembly | Yes |
| | 68-4559 Manufactured After 11/11/2002 | | Yes |

| Item | Assy No. | Part No. | Description | Qty | Sellable |
|------|----------|-----------|-------------------------|-----|----------|
| 1 | N/A | 97-0018 | Top Cover* | 1 | Yes |
| 2 | | 68-3905 | Screw Pack (B)* | 1 | Yes |
| 3 | 68-4559 | 97-0065 | Latch Release Lever Pin | 1 | Yes |
| 4 | | 01-0002 | Roll Pin | 1 | Yes |
| 5 | | 01-0461 | Spirol Pin | 1 | Yes |
| 6 | | 97-0579 | Spring, Torsion | 1 | Yes |
| 7 | | 97-0399 | Latch Retracting Lever | 1 | Yes |
| 8 | | 97-0391 | Sleeve | 2 | Yes |
| 9 | | 97-0398 | Latch Bolt | 1 | Yes |
| 10 | | 97-0400 | Top Case Spring | 1 | Yes |
| 11 | | 97-0405 | Guard Lever | 1 | Yes |
| 12 | | 97-0393 | Pivot Pin | 1 | Yes |
| 13 | | 97-0402 | Top Chassis | 1 | Yes |
| 14 | | 97-0394 | Latch Bolt Pivot Pin | 1 | Yes |
| 15 | | 97-0294 | Pivot Pin | 3 | Yes |
| 16 | | 68-1455 | Top Rod Adjuster | 1 | Yes |
| 17 | 97-0397 | Slide | 1 | Yes | |
| 3 | 97-2963 | 97-0065 | Latch Release Lever Pin | 1 | Yes |
| 5 | | 01-0461 | Spirol Pin | 1 | Yes |
| 6 | | 97-0579 | Spring, Torsion | 1 | Yes |
| 7 | | 97-0399 | Latch Retracting Lever | 1 | Yes |
| 8 | | 97-0391 | Sleeve | 2 | No |
| 9 | | 97-0398 | Latch Bolt | 1 | Yes |
| 10 | | 97-0400 | Top Case Spring | 1 | No |
| 11 | | 97-0405 | Guard Lever | 1 | No |
| 12 | | 97-0393 | Pivot Pin | 1 | No |
| 13 | | 97-0402 | Top Chassis | 1 | Yes |
| 14 | | 97-0394 | Latch Bolt Pivot Pin | 1 | Yes |
| 15 | 97-0294 | Pivot Pin | 3 | Yes | |
| 17 | 97-0397 | Slide | 1 | Yes | |
| 18 | N/A | 670T | Top Rod | 1 | Yes |
| 19 | | 97-0020 | Rod Guide* | 1 | Yes |
| 20 | | 646 | Strike Pack | 1 | Yes |



*Specify Finish

Experience a safer
and more open world

The warranty on SARGENT® products becomes void if the product is modified in any way, regardless of whether the modification causes or contributes to any alleged defect. If a SARGENT product is modified it may no longer meet industry certification and quality control standards applicable to the original product and is no longer a genuine SARGENT product.

Copyright © 2017-2021, SARGENT Manufacturing Company. All rights reserved. Reproduction in whole or in part without the express written permission of SARGENT Manufacturing Company is prohibited.