

# 80 Series Parts Manual



For assistance, contact SARGENT at  
800-727-5477 or [www.sargentlock.com](http://www.sargentlock.com)

Experience a safer  
and more open world

Copyright © 2017-2021, SARGENT Manufacturing Company. All rights reserved. Reproduction in whole or in part without the express written permission of SARGENT Manufacturing Company is prohibited.

 **WARNING**

This product can expose you to lead which is known to the state of California to cause cancer and birth defects or other reproductive harm. For more information go to [www.P65warnings.ca.gov](http://www.P65warnings.ca.gov).

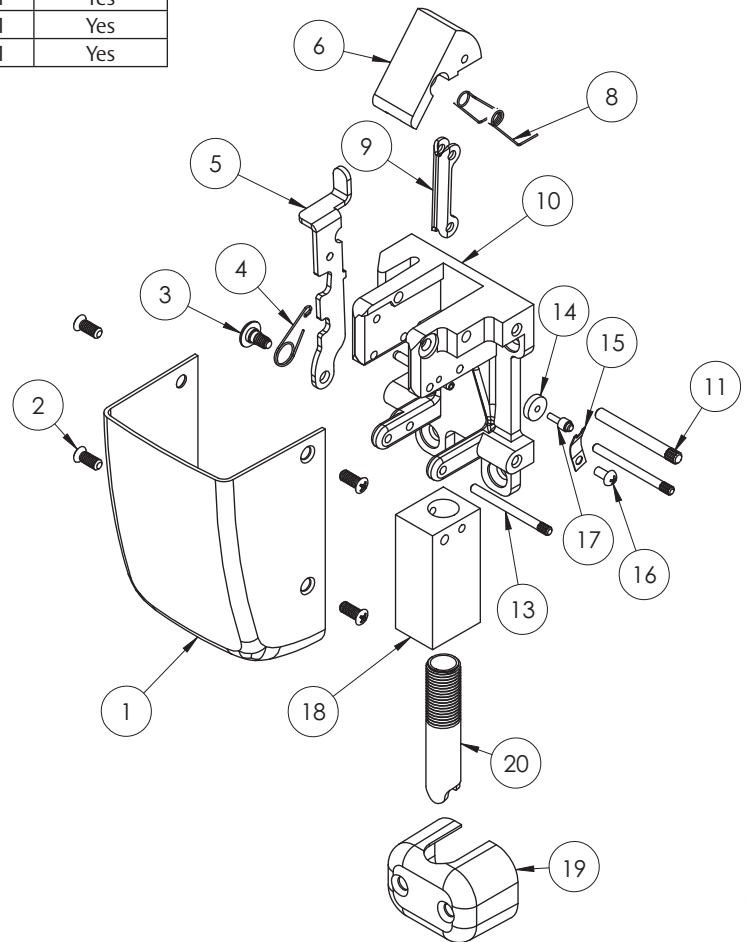
A82311L 04/21

12-NB	8706	8710	8713
NB	8715	8740	8743
	8746	8773	8774

Function	Assembly No.	Description	Sellable
(All Functions)	68-3933	Top Case Assembly	Yes

Item	Assy No.	Part No.	Description	Qty	Sellable
1	N/A	97-0392	Top Cover*	1	Yes
2		68-3905	Screw Pack (B)*	1	Yes
3	68-3933	97-0065	Latch Release Lever Pin	1	Yes
4		97-0579	Spring, Torsion	1	Yes
5		68-1155	Latch Retracting Lever	1	Yes
6		68-1153	Top Case Latch Bolt	1	Yes
7		01-0697	Spirol Pin	2	Yes
8		97-0400	Top Case Spring	1	Yes
9		68-1460	Link, Pivot	1	Yes
10		97-0402	Top Chassis	1	Yes
11		97-0394	Pivot Pin, Latch Bolt	1	Yes
12		01-0461	Spirol Pin	1	Yes
13		97-0294	Pivot Pin	2	Yes
14		68-0991	Fusible Link	1	No
15		68-0419	Guide Spring	1	No
16		01-3563	#5-40 x 1/4 PH RD HD MS	1	No
17		68-0420	Pin, Fire Stop	1	No
18		68-1458	Top Rod Link	1	Yes
19		N/A	97-0020	Rod Guide*	1
20	670T		Top Rod	1	Yes
21	646		Strike Pack	1	Yes

\*Specify Finish



Experience a safer  
and more open world

The warranty on SARGENT® products becomes void if the product is modified in any way, regardless of whether the modification causes or contributes to any alleged defect. If a SARGENT product is modified it may no longer meet industry certification and quality control standards applicable to the original product and is no longer a genuine SARGENT product.

Copyright © 2017-2021, SARGENT Manufacturing Company. All rights reserved. Reproduction in whole or in part without the express written permission of SARGENT Manufacturing Company is prohibited.