

# 80 Series Parts Manual



For assistance, contact SARGENT at  
800-727-5477 or [www.sargentlock.com](http://www.sargentlock.com)

Experience a safer  
and more open world

Copyright © 2017-2021, SARGENT Manufacturing Company. All rights reserved. Reproduction in whole or in part without the express written permission of SARGENT Manufacturing Company is prohibited.

 **WARNING**

This product can expose you to lead which is known to the state of California to cause cancer and birth defects or other reproductive harm. For more information go to [www.P65warnings.ca.gov](http://www.P65warnings.ca.gov).

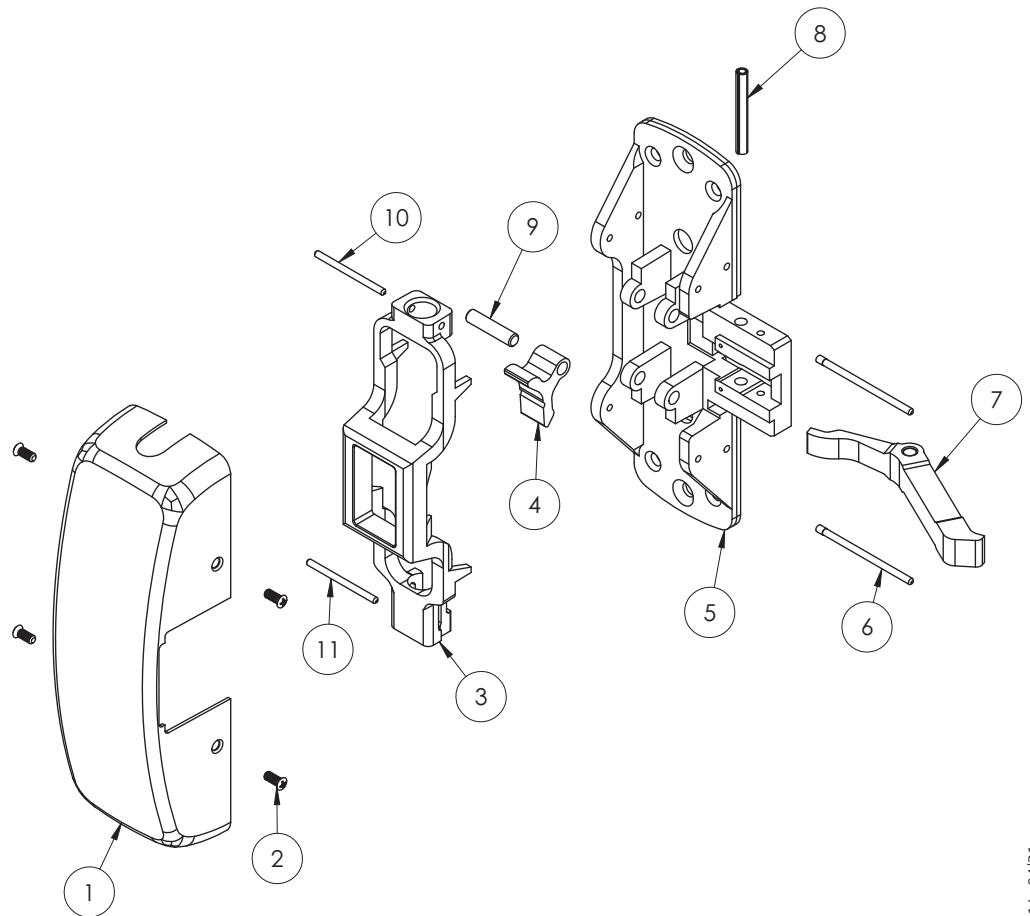
A82311L 04/21

STD 8710 8740  
 12-  
 HC-  
 12-HC-

Function	Assembly No.	Description	Sellable
10, 40	68-2163 (LHRB)	Chassis Assembly	Yes
	68-2164 (RHRB)		Yes

Item	Assy No.	Part No.	Description	Qty	Sellable
1	N/A	68-0405	Chassis Cover*	1	Yes
2		68-2113	Screw Pack*	1	Yes
3	68-2163(LHRB) 68-2164(RHRB)	68-0327	Main Slide	1	Yes
4		68-1090	Lift Lever	1	Yes
5		68-0326	Chassis	1	Yes
6		68-0323	Chassis Pin	2	Yes
7		68-0241	Lift Arm	1	Yes
8		01-4512	Spirol Pin	1	Yes
9		68-0324	Lift Lever Pivot Pin	1	Yes
10	N/A	97-0049	Top Rod Adjustment Pin	1	Yes
11		97-0048	Bottom Rod Adjustment Pin	1	Yes
12		68-5991	Mounting Screw Pack	1	Yes

\*Specify Finish



Experience a safer  
 and more open world

The warranty on SARGENT® products becomes void if the product is modified in any way, regardless of whether the modification causes or contributes to any alleged defect. If a SARGENT product is modified it may no longer meet industry certification and quality control standards applicable to the original product and is no longer a genuine SARGENT product.

Copyright © 2017-2021, SARGENT Manufacturing Company. All rights reserved. Reproduction in whole or in part without the express written permission of SARGENT Manufacturing Company is prohibited.