

80 Series Parts Manual



For assistance, contact SARGENT at
800-727-5477 or www.sargentlock.com

Experience a safer
and more open world

Copyright © 2017-2021, SARGENT Manufacturing Company. All rights reserved. Reproduction in whole or in part without the express written permission of SARGENT Manufacturing Company is prohibited.

 **WARNING**

This product can expose you to lead which is known to the state of California to cause cancer and birth defects or other reproductive harm. For more information go to www.P65warnings.ca.gov.

A82311L 04/21

53-MD	8406	8443	8446	8473
MD-	8410	8413	8415	
53-MD-5CH-	8440	8474		
MD-5CH-				

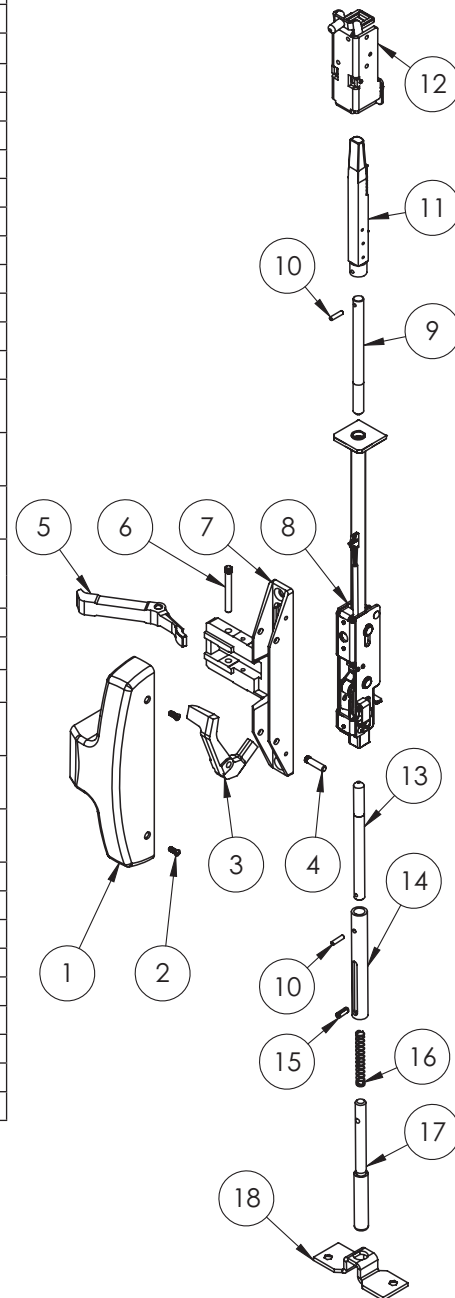
SARGENT
ASSA ABLOY

Function	Assembly No.	Description	Sellable
53-MD-(All Functions) MD-(All Functions) 53-MD-5CH-(All Functions) MD-5CH-(All Functions)	68-5944	LHRB Non-Cladded	Yes
	68-5945	RHRB Non-Cladded	Yes
	68-5946	LHRB 1/2" Cladded	Yes
	68-5951	RHRB 1/2" Cladded	Yes
	68-6013	LHRB 1/4" Cladded	Yes
	68-6014	RHRB 1/4" Cladded	Yes

Item	Assy No.	Part No.	Description	Qty	Sellable
1	N/A	68-0496	Chassis Cover, Narrow*	1	Yes
2		68-3905	Screw Pack (B)*	1	Yes
3	See chart above	68-1644	LHRB Non-Cladded	1	Yes
		68-1645	RHRB Non-Cladded		Yes
		68-1646	LHRB 1/2" Cladded		Yes
		68-1647	RHRB 1/2" Cladded		Yes
		68-1649	LHRB 1/4" Cladded		Yes
		68-1650	RHRB 1/4" Cladded		Yes
		68-0479	Lift Lever Pivot Pin		1
4		68-0241	Lift Arm	1	Yes
5		68-0239	Pivot Pin (Lift Arm)	1	Yes
6		68-0486	Chassis	1	Yes
8	94-2008	N/A	Inner Chassis Assembly	1	Yes
	68-3854		53-Inner Chassis Assembly		Yes
	68-7936		5CH- Inner Chassis Assembly		Yes
	68-7789		5CH-53- Inner Chassis Assembly		Yes
9	(Std) MD660T (5CH) MD660T	(Std) MD660T (5CH) MD660T	Top Rod ^{1,2,3}	1	Yes
10			01-0696	Coiled Pin	2
11	(Std) MD691T (5CH) MD691T	68-4840 67-7938	Latch Bolt Assembly	1	Yes
			5CH Latch Bolt Assembly	1	Yes
12	68-5374	N/A	Top Case Assembly STD	1	Yes
	68-5375		Top Case Assembly 1/4" Cladded		Yes
	68-5376		Top Case Assembly 1/2" Cladded		Yes
13	(Std) 660B (5CH) 660B	(Std) 660B (5CH) 660B	Bottom Rod ^{1,2,3}	1	Yes
14			94-0039	Bolt Sleeve	1
15	(Std) 691B (5CH) 691B	01-4389 97-0454	Roll Pin	1	Yes
16			Spring (Bottom Bolt)	1	Yes
17	94-0038	68-0888 68-3676 652	Bottom Bolt	1	Yes
			Bottom Plate	1	Yes
			Screw Pack*	1	Yes
18	N/A	652	Strike Pack	1	Yes

*Specify Finish

1. Specify AFF
2. Specify Opening Height
3. Specify Standard or 5CH prefix before order.



A8231L 04/21

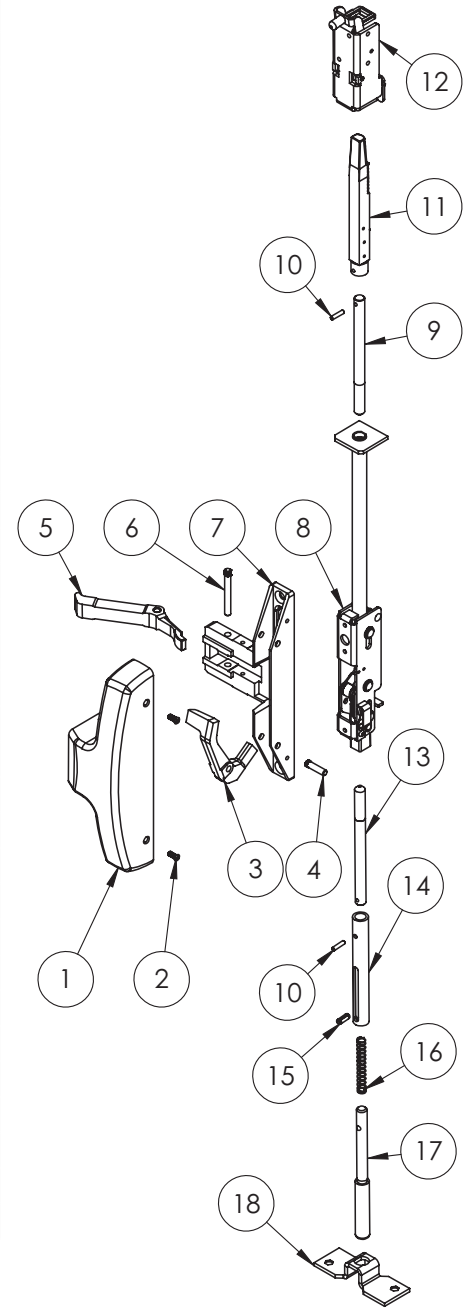
The warranty on SARGENT® products becomes void if the product is modified in any way, regardless of whether the modification causes or contributes to any alleged defect. If a SARGENT product is modified it may no longer meet industry certification and quality control standards applicable to the original product and is no longer a genuine SARGENT product.

Copyright © 2017-2021, SARGENT Manufacturing Company. All rights reserved. Reproduction in whole or in part without the express written permission of SARGENT Manufacturing Company is prohibited.

12-53-MD- 8406 8443 8446 8473
 12-MD- 8410 8413 8415 8440
 12-53-MD-5CH- 8474
 12-MD-5CH-

Function	Assembly No.	Description	Sellable
12-53-MD-(All Functions) 12-MD-(All Functions) 12-53-MD-5CH-(All Functions) 12-MD-5CH-(All Functions)	68-5944	LHRB Non-Cladded	Yes
	68-5945	RHRB Non-Cladded	Yes
	68-5946	LHRB 1/2" Cladded	Yes
	68-5951	RHRB 1/2" Cladded	Yes
	68-6013	LHRB 1/4" Cladded	Yes
	68-6014	RHRB 1/4" Cladded	Yes

Item	Assy No.	Part No.	Description	Qty	Sellable
1	N/A	68-0496	Chassis Cover, Narrow*	1	Yes
2		68-3905	Screw Pack (B)*	1	Yes
3	See chart above	68-1644	LHRB Non-Cladded	1	Yes
		68-1645	RHRB Non-Cladded		Yes
		68-1646	LHRB 1/2" Cladded		Yes
		68-1647	RHRB 1/2" Cladded		Yes
		68-1649	LHRB 1/4" Cladded		Yes
		68-1650	RHRB 1/4" Cladded		Yes
4		68-0479	Lift Lever Pivot Pin	1	Yes
5		68-0241	Lift Arm	1	Yes
6		68-0239	Pivot Pin (Lift Arm)	1	Yes
7		68-0486	Chassis	1	Yes
8	68-3627	N/A	12- Inner Chassis Assembly	1	Yes
	68-3855		12-53- Inner Chassis Assembly		Yes
	68-7935		5CH-12- Inner Chassis Assembly		Yes
	68-7790		5CH-12-53- Inner Chassis Assembly		Yes
9	(Std) MD660T	(Std) MD660T	Top Rod ^{1,2,3}	1	Yes
	(5CH) MD660T				
10	(Std) MD691T	01-0696	Coiled Pin	2	Yes
11	(5CH) MD691T	68-4840	Latch Bolt Assembly	1	Yes
		67-7938	5CH Latch Bolt Assembly	1	Yes
12	68-5374	67-7938	Top Case Assembly STD	1	Yes
	68-5375		Top Case Assembly 1/4" Cladded		Yes
	68-5376		Top Case Assembly 1/2" Cladded		Yes
13		(Std) 660B	Bottom Rod ^{1,2,3}	1	Yes
		(5CH) 660B		1	Yes
14	(Std) 691B (5CH) 691B	94-0039	Bolt Sleeve	1	Yes
15		01-4389	Roll Pin	1	Yes
16		97-0454	Spring (Bottom Bolt)	1	Yes
17		94-0038	Bottom Bolt	1	Yes
18		N/A	68-0888	Bottom Plate	1
	68-3676		Screw Pack*	1	Yes
	650		Top Strike Pack	1	Yes
	606		Bottom Strike Pack	1	Yes



*Specify Finish
 1. Specify AFF
 2. Specify Opening Height
 3. Specify Standard or 5CH prefix before order.

The warranty on SARGENT® products becomes void if the product is modified in any way, regardless of whether the modification causes or contributes to any alleged defect. If a SARGENT product is modified it may no longer meet industry certification and quality control standards applicable to the original product and is no longer a genuine SARGENT product.

Copyright © 2017-2021, SARGENT Manufacturing Company. All rights reserved. Reproduction in whole or in part without the express written permission of SARGENT Manufacturing Company is prohibited.

Experience a safer
 and more open world

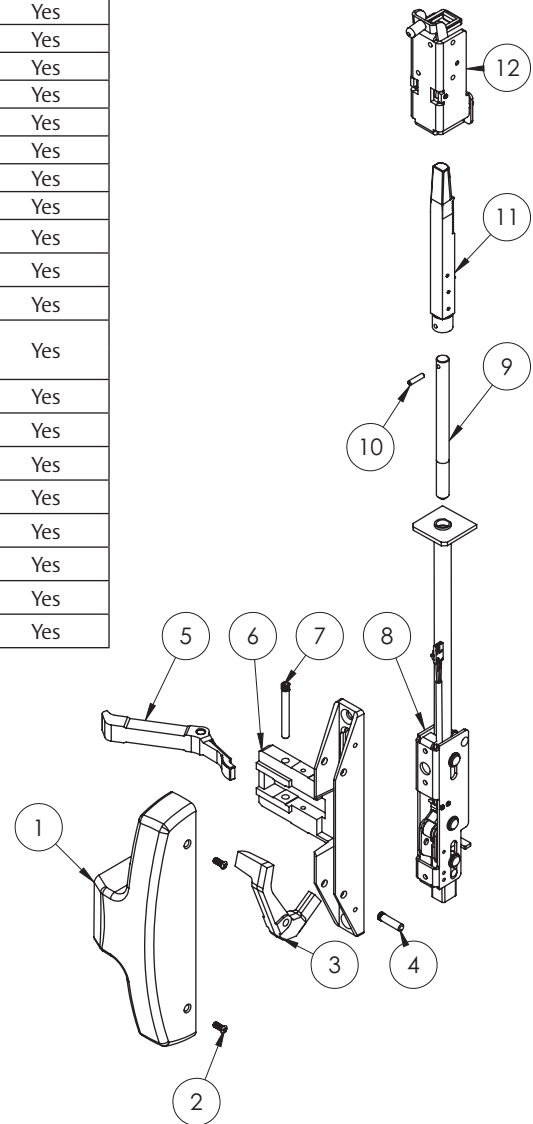
53-NB-MD	8406	8443	8446	8473
NB-MD-	8410	8413	8415	8440
53-NB-MD-5CH-	8474			
NB-MD-5CH-				

Function	Assembly No.	Description	Sellable
53-NB-MD-(All Functions) NB-MD-(All Functions) 53-NB-MD-5CH-(All Functions) NB-MD-5CH-(All Functions)	68-5944	LHRB Non-Cladded	Yes
	68-5945	RHRB Non-Cladded	Yes
	68-5946	LHRB 1/2" Cladded	Yes
	68-5951	RHRB 1/2" Cladded	Yes
	68-6013	LHRB 1/4" Cladded	Yes
	68-6014	RHRB 1/4" Cladded	Yes

Item	Assy No.	Part No.	Description	Qty	Sellable
1	N/A	68-0496	Chassis Cover, Narrow*	1	Yes
2		68-3905	Screw Pack (B)*	1	Yes
3	See chart above	68-1644	LHRB Non-Cladded	1	Yes
		68-1645	RHRB Non-Cladded		Yes
		68-1646	LHRB 1/2" Cladded		Yes
		68-1647	RHRB 1/2" Cladded		Yes
		68-1649	LHRB 1/4" Cladded		Yes
		68-1650	RHRB 1/4" Cladded		Yes
		68-0479	Lift Lever Pivot Pin		1
4		68-0241	Lift Arm	1	Yes
5		68-0486	Chassis	1	Yes
6		68-0239	Pivot Pin (Lift Arm)	1	Yes
8	94-2008	N/A	Inner Chassis Assembly	1	Yes
	68-3854		53-Inner Chassis Assembly		Yes
	68-7936		5CH- Inner Chassis Assembly		Yes
	68-7789		5CH-53- Inner Chassis Assembly		Yes
9		(Std) MD660T	Top Rod ^{1,2,3}	1	Yes
	(5CH) MD660T				
10	(Std) MD691T (5CH) MD691T	01-0696	Coiled Pin	2	Yes
11		68-4840	Latch Bolt Assembly	1	Yes
		67-7938	5CH Latch Bolt Assembly	1	Yes
12	68-5374	N/A	Top Case Assembly STD	1	Yes
	68-5375		Top Case Assembly 1/4" Cladded		Yes
	68-5376		Top Case Assembly 1/2" Cladded		Yes
13	N/A	68-3676	Screw Pack*	1	Yes
		650	Top Strike Pack	1	Yes

*Specify Finish

1. Specify AFF
2. Specify Opening Height
3. Specify Standard or 5CH prefix before order.



The warranty on SARGENT® products becomes void if the product is modified in any way, regardless of whether the modification causes or contributes to any alleged defect. If a SARGENT product is modified it may no longer meet industry certification and quality control standards applicable to the original product and is no longer a genuine SARGENT product.

Copyright © 2017-2021, SARGENT Manufacturing Company. All rights reserved. Reproduction in whole or in part without the express written permission of SARGENT Manufacturing Company is prohibited.

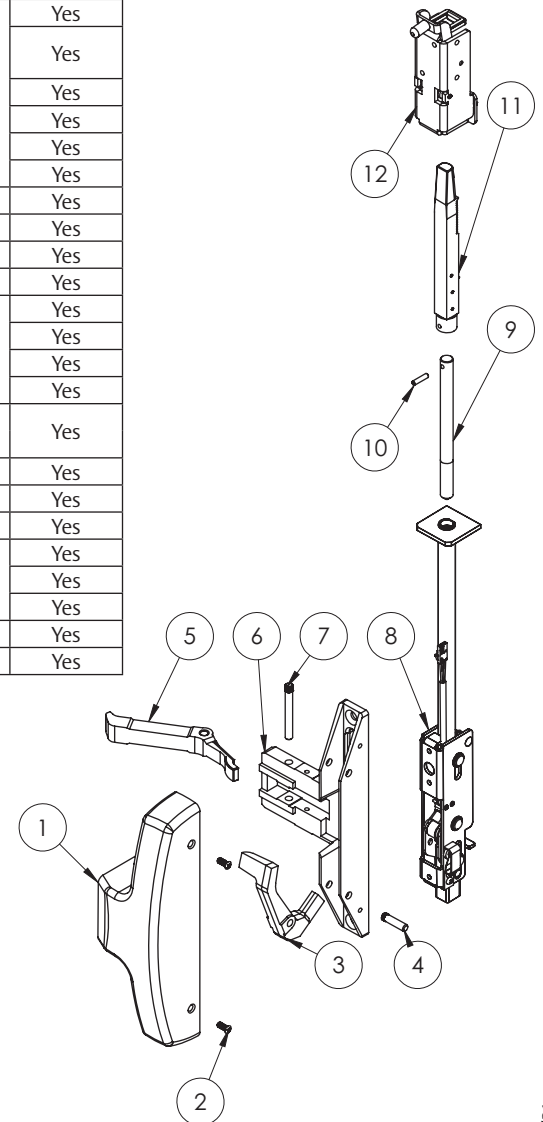
12-53-NB-MD- 8406 8410 8413 8415 8440
 12-NB-MD 8443 8446 8473 8474
 12-53-NB-MD-5CH-
 12-NB-MD-5CH-

Function	Assembly No.	Description	Sellable
12-53-NB-MD-(All Functions) 12-NB-MD-(All Functions) 12-53-NB-MD-5CH-(All Functions) 12-NB-MD-5CH-(All Functions)	68-5944	LHRB Non-Cladded	Yes
	68-5945	RHRB Non-Cladded	Yes
	68-5946	LHRB 1/2" Cladded	Yes
	68-5951	RHRB 1/2" Cladded	Yes
	68-6013	LHRB 1/4" Cladded	Yes
	68-6014	RHRB 1/4" Cladded	Yes

Item	Assy No.	Part No.	Description	Qty	Sellable
1	N/A	68-0496	Chassis Cover, Narrow*	1	Yes
2		68-3905	Screw Pack (B)*	1	Yes
3	See chart above	68-1644	LHRB Non-Cladded	1	Yes
		68-1645	RHRB Non-Cladded		Yes
		68-1646	LHRB 1/2" Cladded		Yes
		68-1647	RHRB 1/2" Cladded		Yes
		68-1649	LHRB 1/4" Cladded		Yes
		68-1650	RHRB 1/4" Cladded		Yes
		68-0479	Lift Lever Pivot Pin		1
4		68-0241	Lift Arm	1	Yes
5		68-0486	Chassis	1	Yes
6		68-0239	Pivot Pin (Lift Arm)	1	Yes
8	68-3627	N/A	12- Inner Chassis Assembly	1	Yes
	68-3855		12-53- Inner Chassis Assembly		Yes
	68-7935		5CH-12- Inner Chassis Assembly		Yes
	68-7790		5CH-12-53- Inner Chassis Assembly		Yes
9		(Std) MD660T (5CH) MD660T	Top Rod ^{1,2,3}	1	Yes
10	(Std) MD691T (5CH) MD691T	01-0696	Coiled Pin	2	Yes
11		68-4840	Latch Bolt Assembly	1	Yes
		67-7938	5CH Latch Bolt Assembly	1	Yes
		67-7938	5CH Latch Bolt Assembly	1	Yes
			Top Case Assembly 1/4" Cladded		Yes
			Top Case Assembly 1/2" Cladded		Yes
13	N/A	68-3676	Screw Pack*	1	Yes
		650	Top Strike Pack	1	Yes

*Specify Finish

1. Specify AFF
2. Specify Opening Height
3. Specify Standard or 5CH prefix before order.



Experience a safer
and more open world

The warranty on SARGENT® products becomes void if the product is modified in any way, regardless of whether the modification causes or contributes to any alleged defect. If a SARGENT product is modified it may no longer meet industry certification and quality control standards applicable to the original product and is no longer a genuine SARGENT product.

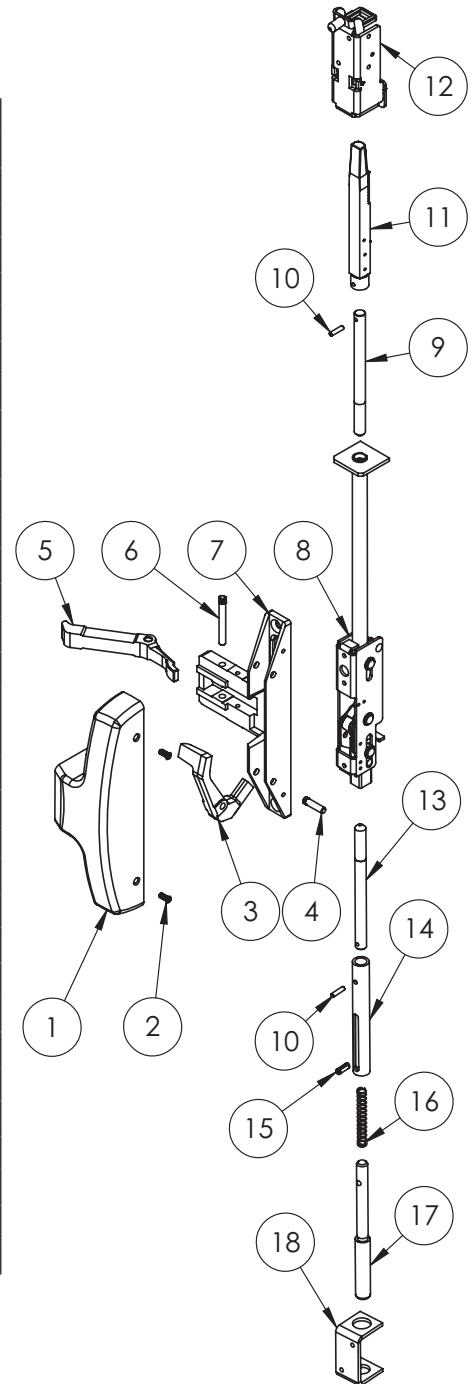
Copyright © 2017-2021, SARGENT Manufacturing Company. All rights reserved. Reproduction in whole or in part without the express written permission of SARGENT Manufacturing Company is prohibited.

53-AD	8406	8474	8440	8410
AD	8413	8415	8443	8446
53-AD-5CH-	8473			
AD-5CH-				

Function	Assembly No.	Description	Sellable
53-AD-(All Functions) AD-(All Functions) 53-AD-5CH-(All Functions) AD-5CH-(All Functions)	68-5944	LHRB Non-Cladded	Yes
	68-5945	RHRB Non-Cladded	Yes
	68-5946	LHRB 1/2" Cladded	Yes
	68-5951	RHRB 1/2" Cladded	Yes
	68-6013	LHRB 1/4" Cladded	Yes
	68-6014	RHRB 1/4" Cladded	Yes

Item	Assy No.	Part No.	Description	Qty	Sellable
1	N/A	68-0496	Chassis Cover, Narrow*	1	Yes
2		68-3905	Screw Pack (B)*	1	Yes
3	See chart above	68-1644	LHRB Non-Cladded	1	Yes
		68-1645	RHRB Non-Cladded		Yes
		68-1646	LHRB 1/2" Cladded		Yes
		68-1647	RHRB 1/2" Cladded		Yes
		68-1649	LHRB 1/4" Cladded		Yes
		68-1650	RHRB 1/4" Cladded		Yes
4		68-0479	Lift Lever Pivot Pin	1	Yes
5		68-0241	Lift Arm	1	Yes
6		68-0239	Pivot Pin (Lift Arm)	1	Yes
7		68-0486	Chassis	1	Yes
8	94-2008	N/A	Inner Chassis Assembly	1	Yes
	68-3854		53- Inner Chassis Assembly		Yes
	68-7936		5CH- Inner Chassis Assembly		Yes
	68-7789		5CH-53- Inner Chassis Assembly		Yes
9		(Std) MD660T	Top Rod ^{1,2,3}	1	Yes
		(5CH) MD660T			
10	(Std) MD691T (5CH) MD691T	01-0696	Coiled Pin	2	Yes
11		68-4840	Latch Bolt Assembly	1	Yes
		67-7938	5CH Latch Bolt Assembly	1	Yes
12	68-5374	N/A	Top Case Assembly STD	1	Yes
	68-5375		Top Case Assembly 1/4" Cladded		Yes
	68-5376		Top Case Assembly 1/2" Cladded		Yes
13		(Std) 660B	Bottom Rod ^{1,2,3}	1	Yes
		(5CH) 660B		1	Yes
14	(Std) 691B (5CH) 691B	94-0039	Bolt Sleeve	1	Yes
15		01-4389	Roll Pin	1	Yes
16		97-0454	Spring (Bottom Bolt)	1	Yes
17		94-0038	Bottom Bolt	1	Yes
18		N/A	68-0037	Bottom Case	1
	68-3676		Screw Pack*	1	Yes
	640		Aluminum Door Strike Pack	1	Yes

*Specify Finish
1. Specify AFF
2. Specify Opening Height
3. Specify Standard or 5CH prefix before order.



A8231L 04/21

The warranty on SARGENT® products becomes void if the product is modified in any way, regardless of whether the modification causes or contributes to any alleged defect. If a SARGENT product is modified it may no longer meet industry certification and quality control standards applicable to the original product and is no longer a genuine SARGENT product.

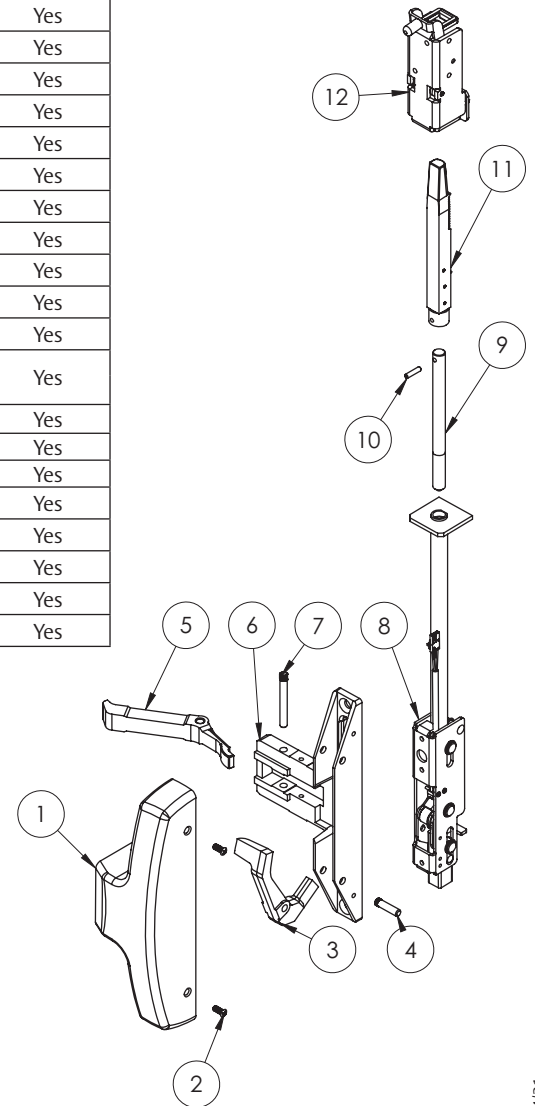
Copyright © 2017-2021, SARGENT Manufacturing Company. All rights reserved. Reproduction in whole or in part without the express written permission of SARGENT Manufacturing Company is prohibited.

53-NB-AD 8406 8410 8413 8415 8440
 NB-AD- 8443 8446 8473 8474
 53-NB-AD-5CH-
 NB-AD-5CH-

Function	Assembly No.	Description	Sellable
53-NB-AD-(All Functions) NB-AD-(All Functions) 53-NB-AD-5CH-(All Functions) NB-AD-5CH-(All Functions)	68-5944	LHRB Non-Cladded	Yes
	68-5945	RHRB Non-Cladded	Yes
	68-5946	LHRB 1/2" Cladded	Yes
	68-5951	RHRB 1/2" Cladded	Yes
	68-6013	LHRB 1/4" Cladded	Yes
	68-6014	RHRB 1/4" Cladded	Yes

Item	Assy No.	Part No.	Description	Qty	Sellable
1	N/A	68-0496	Chassis Cover, Narrow*	1	Yes
2		68-3905	Screw Pack (B)*	1	Yes
3	See chart above	68-1644	LHRB Non-Cladded	1	Yes
		68-1645	RHRB Non-Cladded		Yes
		68-1646	LHRB 1/2" Cladded		Yes
		68-1647	RHRB 1/2" Cladded		Yes
		68-1649	LHRB 1/4" Cladded		Yes
		68-1650	RHRB 1/4" Cladded		Yes
4		68-0479	Lift Lever Pivot Pin	1	Yes
5		68-0241	Lift Arm	1	Yes
6		68-0486	Chassis	1	Yes
7		68-0239	Pivot Pin (Lift Arm)	1	Yes
8	94-2008	N/A	Inner Chassis Assembly	1	Yes
	68-3854		53- Inner Chassis Assembly		Yes
	68-7936		5CH- Inner Chassis Assembly		Yes
	68-7789		5CH-53- Inner Chassis Assembly		Yes
9		(Std) MD660T (5CH) MD660T	Top Rod ^{1,2,3}	1	Yes
10	(Std) MD691T (5CH) MD691T	01-0696	Coiled Pin	2	Yes
11		68-4840	Latch Bolt Assembly	1	Yes
		67-7938	5CH Latch Bolt Assembly	1	Yes
12	68-5374	N/A	Top Case Assembly STD	1	Yes
	68-5375		Top Case Assembly 1/4" Cladded		Yes
	68-5376		Top Case Assembly 1/2" Cladded		Yes
13	N/A	68-3676	Screw Pack*	1	Yes
		639	Aluminum Door Strike Pack	1	Yes

*Specify Finish
 1. Specify AFF
 2. Specify Opening Height
 3. Specify Standard or 5CH prefix before order.



Experience a safer
 and more open world

The warranty on SARGENT® products becomes void if the product is modified in any way, regardless of whether the modification causes or contributes to any alleged defect. If a SARGENT product is modified it may no longer meet industry certification and quality control standards applicable to the original product and is no longer a genuine SARGENT product.

Copyright © 2017-2021, SARGENT Manufacturing Company. All rights reserved. Reproduction in whole or in part without the express written permission of SARGENT Manufacturing Company is prohibited.