

80 Series Parts Manual



For assistance, contact SARGENT at
800-727-5477 or www.sargentlock.com

Experience a safer
and more open world

Copyright © 2017-2021, SARGENT Manufacturing Company. All rights reserved. Reproduction in whole or in part without the express written permission of SARGENT Manufacturing Company is prohibited.

 **WARNING**

This product can expose you to lead which is known to the state of California to cause cancer and birth defects or other reproductive harm. For more information go to www.P65warnings.ca.gov.

A82311L 04/21

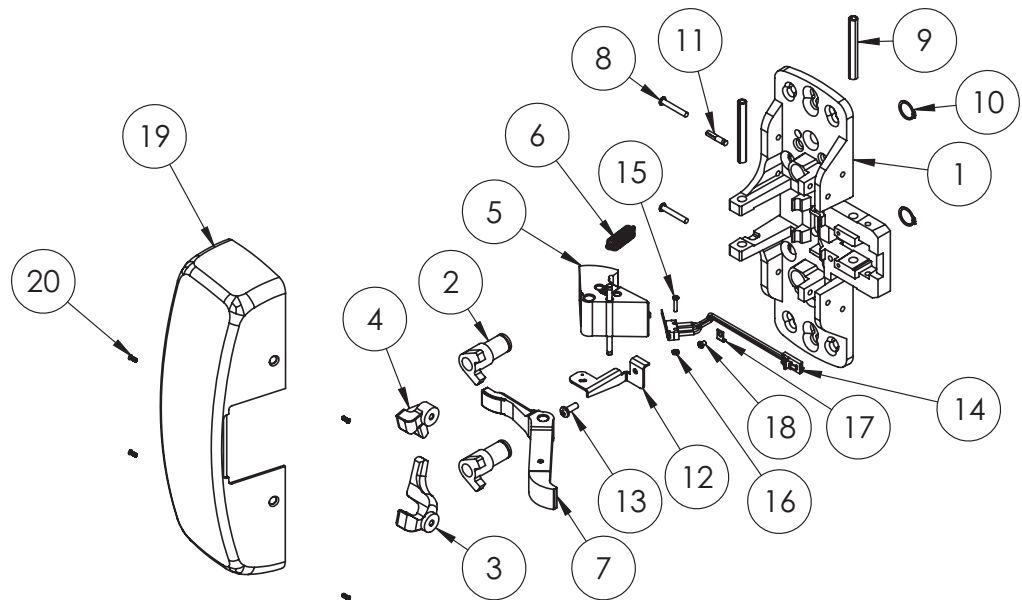
(WS-/53-)8804	(WS-/53-)8806	(WS-/53-)8810	(WS-/53-)8813
(WS-/53-)8815	(WS-/53-)8840	(WS-/53-)8843	(WS-/53-)8844
(WS-/53-)8846	(WS-/53-)8873	(WS-/53-)8874	(WS-/53-)8875
(WS-/53-)8876	(WS-/53-)8877	(WS-/53-)8878	(WS-/53-)8881
(WS-/53-)8882	(WS-/53-)8888		

SARGENT®
ASSA ABLOY

Function	Assembly No.	Description	Sellable
All functions	68-4261	LHRB/RHRB	Yes
WS- All functions		LHRB/RHRB	
53- All functions	68-6075	LHRB/RHRB	Yes
WS-53- All functions		LHRB/RHRB	

Item	Assy No.	Part No.	Description	Qty	Sellable
1	See chart above	68-1389	Chassis Blank (Std)	1	No
2		98-0018	Outside Cylinder Hub	2	Yes
3		68-1367	Lift Lever (RH)	1	Yes
4		68-1366	Lift Lever (LH)	1	Yes
5		68-4413	Standard Latchbolt (68-4261)	1	Yes
6		68-7417	53- Standard Latchbolt (68-6075)	1	Yes
7		98-0028	Latchbolt Spring	1	Yes
8		68-1137	Lift Arm	1	Yes
9		98-0011	Latchbolt Lever Pivot Pin	2	Yes
10		01-4512	Spirol Pin	2	Yes
11		01-0005	Retaining Ring, Truarc 5100-43	2	Yes
12		01-0008	Groove Pin	1	No
13		68-1685	Switch Bracket (53- Only)	1	Yes
14		01-1482	#6-32 x 1/8" Ph Pn Hd Machine Screw (53- Only)	1	Yes
15		52-4545	Switch Assembly (53- Only)	1	Yes
16		01-9446	#1-72 x 11/32" Ph Fl Hd Machine Screw (53- Only)	1	Yes
17		01-0909	Hex Machine Screw Nut (53- Only)	1	Yes
18		52-0310	Cable Clamp (53- Only)	1	Yes
19	01-1482	Cr-Phms #2-56 X 1/8" (53- Only)	1	Yes	
20	N/A	68-0406	Cover ¹	1	Yes
Not Shown		68-3905	Screw Pack ¹	1	Yes
		68-2143	Screw Pack	1	Yes
		649	Strike Pack	1	Yes

1. Indicates finish required



The warranty on SARGENT® products becomes void if the product is modified in any way, regardless of whether the modification causes or contributes to any alleged defect. If a SARGENT product is modified it may no longer meet industry certification and quality control standards applicable to the original product and is no longer a genuine SARGENT product.

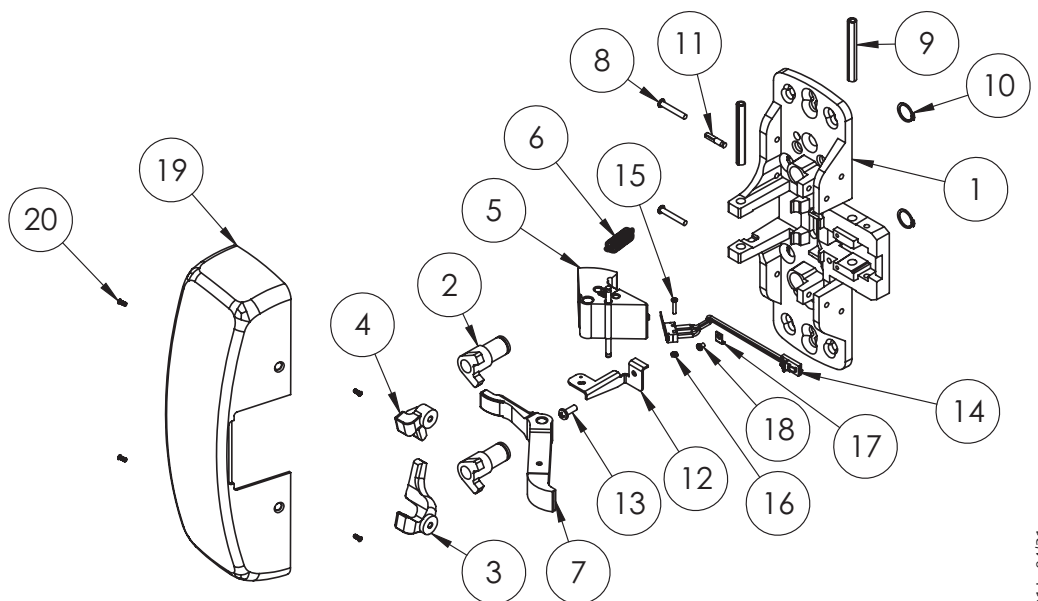
Copyright © 2017-2021, SARGENT Manufacturing Company. All rights reserved. Reproduction in whole or in part without the express written permission of SARGENT Manufacturing Company is prohibited.

(12-/WS-/53)8804 (12-/WS-/53)8806 (12-/WS-/53)8810 (12-/WS-/53)8813
 (12-/WS-/53)8815 (12-/WS-/53)8840 (12-/WS-/53)8843 (12-/WS-/53)8844
 (12-/WS-/53)8846 (12-/WS-/53)8873 (12-/WS-/53)8874 (12-/WS-/53)8875
 (12-/WS-/53)8876 (12-/WS-/53)8877 (12-/WS-/53)8878 (12-/WS-/53)8881
 (12-/WS-/53)8882 (12-/WS-/53)8888

Function	Assembly No.	Description	Sellable
12- All functions	68-4263	LHRB/RHRB	YES
WS-12- All functions		LHRB/RHRB	
12-53- All functions	68-6076	LHRB/RHRB	YES
WS-12-53- All functions		LHRB/RHRB	

Item	Assy No.	Part No.	Description	Qty	Sellable
1	See chart above	68-1378	Chassis Blank (12-)	1	No
2		98-0018	Outside Cylinder Hub	2	Yes
3		68-1367	Lift Lever (RH)	1	Yes
4		68-1366	Lift Lever (LH)	1	Yes
5		68-4414	Fire Rated Latchbolt (68-4263)	1	Yes
		68-7418	12-53- Standard Latchbolt (68-6076)	1	Yes
6		98-0028	Latchbolt Spring	1	Yes
7		68-1137	Lift Arm	1	Yes
8		98-0011	Latchbolt Lever Pivot Pin	2	Yes
9		01-4512	Spirol Pin	2	Yes
10		01-0005	Retaining Ring, Truarc 5100-43	2	Yes
11		01-0008	Groove Pin	1	No
12		68-1685	Switch Bracket (53- Only)	1	Yes
13		01-1482	#2-56 Ph Pn Hd Machine Screw (53- Only)	1	Yes
14		52-4545	Switch Assembly (53- Only)	1	Yes
15		01-9446	#1-72 X 11/32" Ph Fl Hd Machine Screw (53- Only)	1	Yes
16		01-0909	Hex Machine Screw Nut (53- Only)	1	Yes
17		52-0310	Cable Clamp (53- Only)	1	Yes
18		01-1482	Cr-Phms #2-56 X 1/8" (53- Only)	1	Yes
19	N/A	68-0406	Cover ¹	1	Yes
20		68-3905	Cover Screw Pack (#8-32 X 5/16") ¹	1	Yes
Not Shown		68-2143	Screw Pack	1	Yes
		649	Strike Pack	1	Yes

1. Indicates finish required



The warranty on SARGENT® products becomes void if the product is modified in any way, regardless of whether the modification causes or contributes to any alleged defect. If a SARGENT product is modified it may no longer meet industry certification and quality control standards applicable to the original product and is no longer a genuine SARGENT product.

Copyright © 2017-2021, SARGENT Manufacturing Company. All rights reserved. Reproduction in whole or in part without the express written permission of SARGENT Manufacturing Company is prohibited.

AL- AND GL- PREFIXES

8804	8806	8810	8813	8815	8840
8843	8844	8846	8875	8876	8877
8878	8881	8882			

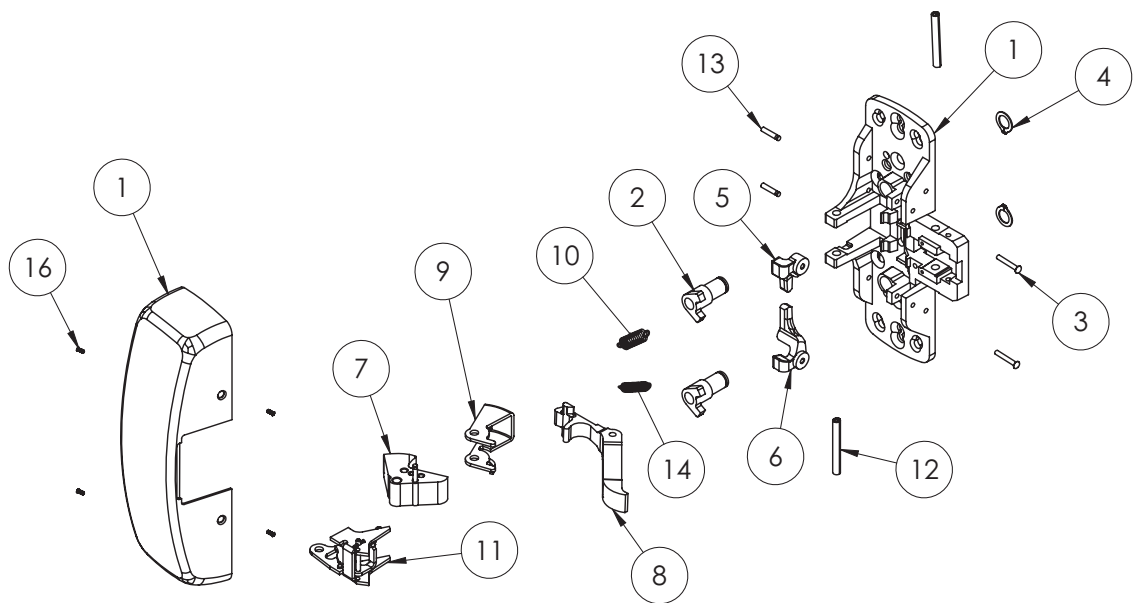
SARGENT®

ASSA ABLOY

Function	Assembly No.	Description	Sellable
AL- (All Functions Except 77,78,81, And 82)	68-4410	LHRB/RHRB	Yes
GL- (All Functions)		LHRB/RHRB	

Item	Assembly No.	Part No.	Description	Qty	Sellable
1	See chart above	68-1485	Chassis (Std)	1	No
2		98-0018	Outside Hub	2	Yes
3		98-0011	Latchbolt Lever Pin	2	Yes
4		01-0005	Retaining Ring, Truarc 5100-43	2	Yes
5		68-1367	Lift Lever (RH)	1	Yes
6		68-1366	Lift Lever (LH)	1	Yes
7		68-4415	Guarded Latchbolt	1	Yes
8		68-1353	Lift Arm	1	Yes
9		68-1352	Guide	1	Yes
10		98-0028	Latchbolt Spring	1	Yes
11		68-4417	Guard Bracket Std	1	Yes
12		01-4512	Spirol Pin	2	Yes
13		01-0008	Groove Pin	2	No
14		68-1394	Guide Spring	1	Yes
15	N/A	68-1014	Cover ¹	1	Yes
16		68-3905	Cover Screw Pack ¹	1	Yes
Not Shown		68-2143	Screw Pack	1	Yes
		649	Strike Pack	1	Yes

1. Indicates finish required



The warranty on SARGENT® products becomes void if the product is modified in any way, regardless of whether the modification causes or contributes to any alleged defect. If a SARGENT product is modified it may no longer meet industry certification and quality control standards applicable to the original product and is no longer a genuine SARGENT product.

Copyright © 2017-2021, SARGENT Manufacturing Company. All rights reserved. Reproduction in whole or in part without the express written permission of SARGENT Manufacturing Company is prohibited.

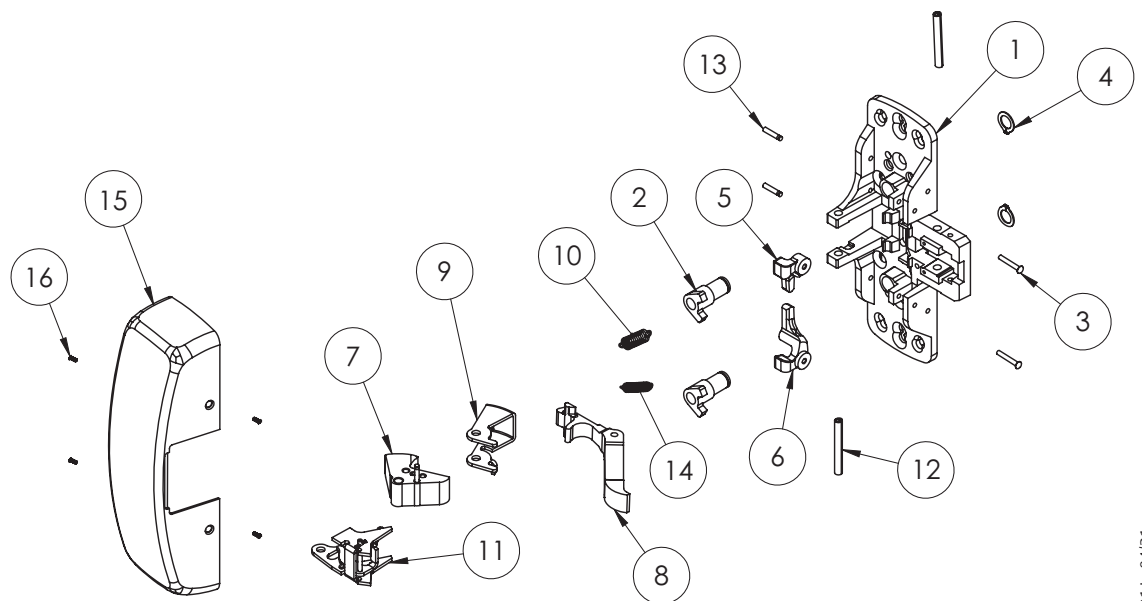
AL- AND GL- PREFIXES

12-8804	12-8806	12-8810	12-8813
12-8815	12-8840	12-8843	12-8844
12-8846	12-8875	12-8876	12-8877
12-8878	12-8881	12-8882	

Function	Assembly No.	Description	Sellable
12-AL- (All Functions Except 77,78,81,82)	68-4411	LHRB/RHRB	Yes
12-GL- (All Functions)			

Item	Assembly No.	Part No.	Description	Qty	Sellable
1	See chart above	68-1378	Chassis (12-)	1	No
2		98-0018	Outside Hub	2	Yes
3		98-0011	Latchbolt Lever Pin	2	Yes
4		01-0005	Retaining Ring, Truarc 5100-43	2	Yes
5		68-1367	Lift Lever (Rh)	1	Yes
6		68-1366	Lift Lever (Lh)	1	Yes
7		68-4415	Guarded Latchbolt	1	Yes
8		68-1353	Lift Arm	1	Yes
9		68-1352	Guide	1	Yes
10		98-0028	Latchbolt Spring	1	Yes
11		68-4417	Guard Bracket Std	1	No
12		01-4512	Spirol Pin	2	Yes
13		01-0008	Groove Pin	2	No
14		68-1394	Guide Spring	1	Yes
15	N/A	68-1014	Cover ¹	1	Yes
16		68-3905	Cover Screw Pack ¹	1	Yes
Not Shown		68-2143	Screw Pack	1	Yes
Not Shown		649	Strike Pack	1	Yes

1. Indicates finish required



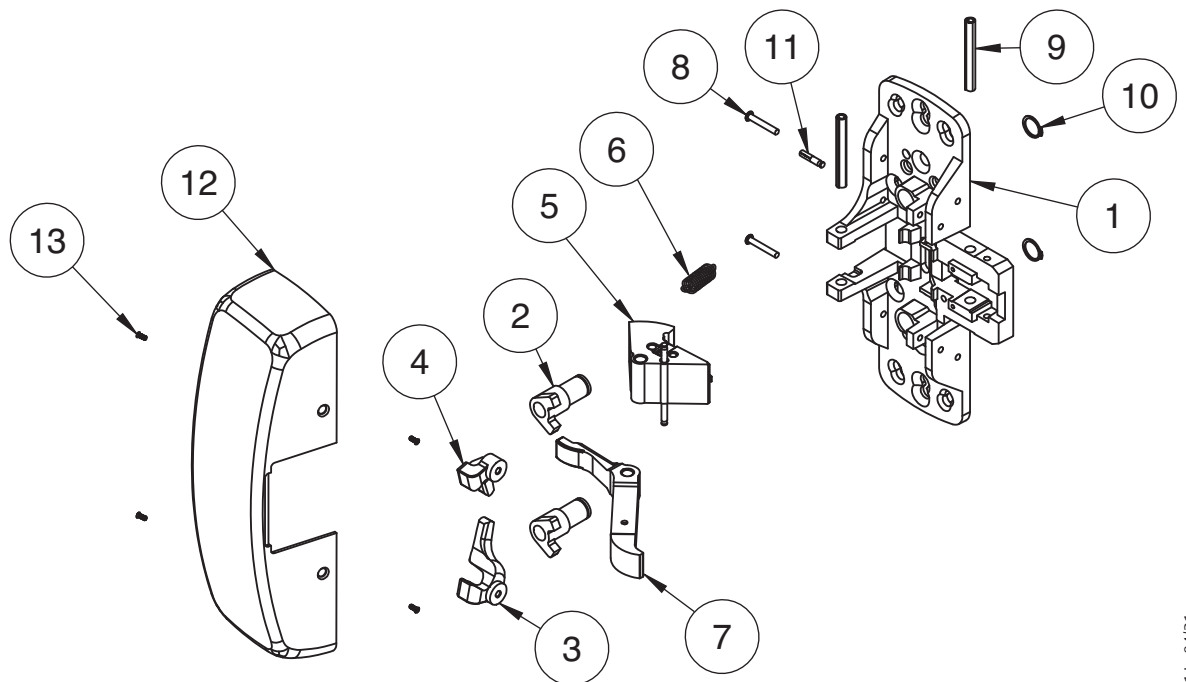
The warranty on SARGENT® products becomes void if the product is modified in any way, regardless of whether the modification causes or contributes to any alleged defect. If a SARGENT product is modified it may no longer meet industry certification and quality control standards applicable to the original product and is no longer a genuine SARGENT product.

Copyright © 2017-2021, SARGENT Manufacturing Company. All rights reserved. Reproduction in whole or in part without the express written permission of SARGENT Manufacturing Company is prohibited.

5CH- 88: 04, 06, 10, 13, 15, 40, 43, 44, 46, 73, 74, 75, 76, 88
 12- 5CH- 88: 04, 06, 10, 13, 15, 40, 43, 44, 46, 73, 74, 75, 76, 88

Function	Assembly No.	Description	Sellable
5CH- All Functions	68-7484	LHRB/RHRB	Yes
12- 5CH- All Functions	68-7485	LHRB/RHRB	Yes

Item	Assy. No.	Part No.	Description	Qty	Sellable
1	See chart above	68-1378	Chassis Blank (12-/5CH)	1	No
		68-1389	Chassis blank (5CH)	1	Yes
2		98-0018	Outside Cylinder Hub	2	Yes
3		68-1367	Lift Lever (RH)	1	Yes
4		68-1366	Lift Lever (LH)	1	Yes
5		68-4414	Fire Rated Latchbolt (68-4263)(12-/5CH)	1	Yes
		68-4413	Standard Latchbolt (5CH-)	1	Yes
6		68-1831	Latchbolt spring (5CH-)	1	Yes
7		68-1137	Lift arm	1	Yes
8		98-0011	Latchbolt Lever Pivot Pin	2	Yes
9		01-4512	Spirol Pin	2	Yes
10		01-0005	Retaining Ring, Truac 5100-43	2	Yes
11	01-0008	Groove Pin	1	No	
12	N/A	68-0406	Cover 1	1	Yes
13		68-3905	Cover Screw Pack (#8-32 X 5/6" 1)	1	Yes
Not shown		68-2143	Screw Pack	1	Yes



The warranty on SARGENT® products becomes void if the product is modified in any way, regardless of whether the modification causes or contributes to any alleged defect. If a SARGENT product is modified it may no longer meet industry certification and quality control standards applicable to the original product and is no longer a genuine SARGENT product.

Copyright © 2017-2021, SARGENT Manufacturing Company. All rights reserved. Reproduction in whole or in part without the express written permission of SARGENT Manufacturing Company is prohibited.