

# 80 Series Parts Manual



For assistance, contact SARGENT at  
800-727-5477 or [www.sargentlock.com](http://www.sargentlock.com)

Experience a safer  
and more open world

 **WARNING**

This product can expose you to lead which is known to the state of California to cause cancer and birth defects or other reproductive harm. For more information go to [www.P65warnings.ca.gov](http://www.P65warnings.ca.gov).

53-MD	8406	8443	8446	8473
MD-	8410	8413	8415	
53-MD-5CH-	8440	8474		
MD-5CH-				

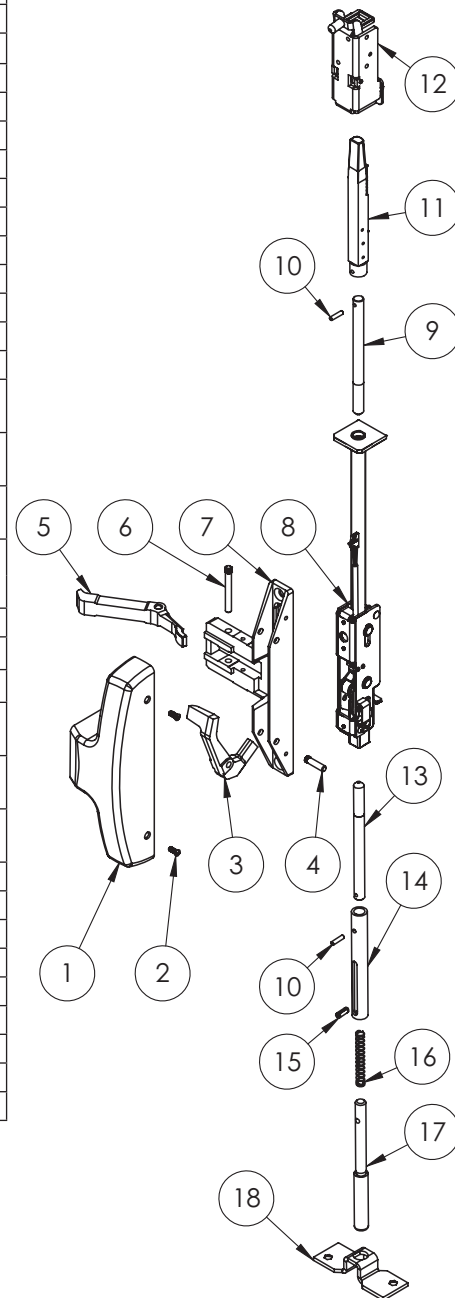
**SARGENT**  
**ASSA ABLOY**

Function	Assembly No.	Description	Sellable
53-MD-(All Functions) MD-(All Functions) 53-MD-5CH-(All Functions) MD-5CH-(All Functions)	68-5944	LHRB Non-Cladded	Yes
	68-5945	RHRB Non-Cladded	Yes
	68-5946	LHRB 1/2" Cladded	Yes
	68-5951	RHRB 1/2" Cladded	Yes
	68-6013	LHRB 1/4" Cladded	Yes
	68-6014	RHRB 1/4" Cladded	Yes

Item	Assy No.	Part No.	Description	Qty	Sellable
1	N/A	68-0496	Chassis Cover, Narrow*	1	Yes
2		68-3905	Screw Pack (B)*	1	Yes
3	See chart above	68-1644	LHRB Non-Cladded	1	Yes
		68-1645	RHRB Non-Cladded		Yes
		68-1646	LHRB 1/2" Cladded		Yes
		68-1647	RHRB 1/2" Cladded		Yes
		68-1649	LHRB 1/4" Cladded		Yes
		68-1650	RHRB 1/4" Cladded		Yes
		68-0479	Lift Lever Pivot Pin		1
4		68-0241	Lift Arm	1	Yes
5		68-0239	Pivot Pin (Lift Arm)	1	Yes
6		68-0486	Chassis	1	Yes
8	94-2008	N/A	Inner Chassis Assembly	1	Yes
	68-3854		53-Inner Chassis Assembly		Yes
	68-7936		5CH- Inner Chassis Assembly		Yes
	68-7789		5CH-53- Inner Chassis Assembly		Yes
9	(Std) MD660T (5CH) MD660T	(Std) MD660T (5CH) MD660T	Top Rod <sup>1,2,3</sup>	1	Yes
10			01-0696	Coiled Pin	2
11	(Std) MD691T (5CH) MD691T	68-4840 67-7938	Latch Bolt Assembly	1	Yes
			5CH Latch Bolt Assembly	1	Yes
12	68-5374	N/A	Top Case Assembly STD	1	Yes
	68-5375		Top Case Assembly 1/4" Cladded		Yes
	68-5376		Top Case Assembly 1/2" Cladded		Yes
13	(Std) 660B (5CH) 660B	(Std) 660B (5CH) 660B	Bottom Rod <sup>1,2,3</sup>	1	Yes
			94-0039	Bolt Sleeve	1
14	(Std) 691B (5CH) 691B	01-4389	Roll Pin	1	Yes
15		97-0454	Spring (Bottom Bolt)	1	Yes
16		94-0038	Bottom Bolt	1	Yes
18		N/A	68-0888	Bottom Plate	1
	68-3676		Screw Pack*	1	Yes
	652		Strike Pack	1	Yes

\*Specify Finish

1. Specify AFF
2. Specify Opening Height
3. Specify Standard or 5CH prefix before order.



A8231L 04/21

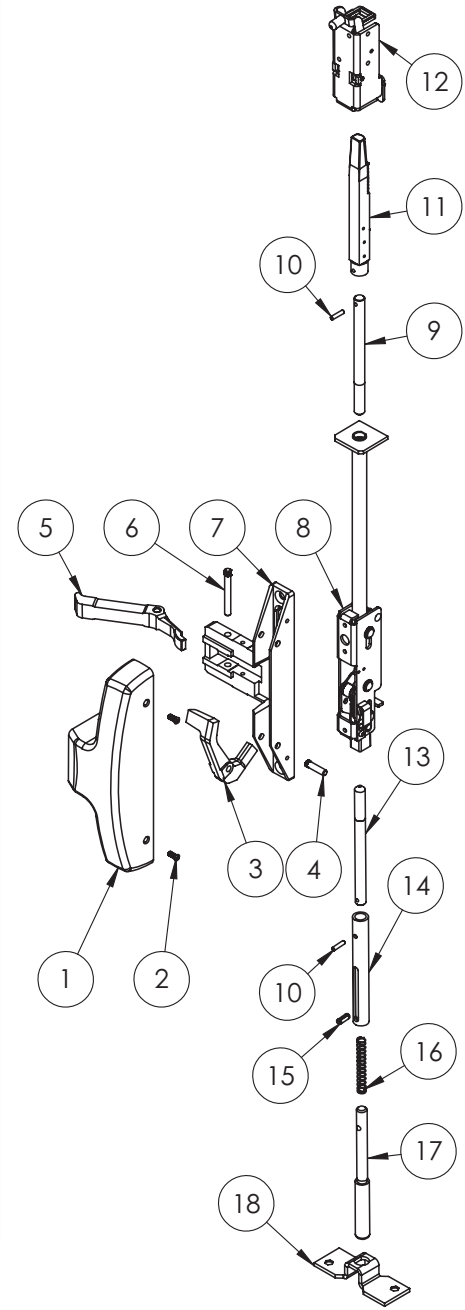
The warranty on SARGENT® products becomes void if the product is modified in any way, regardless of whether the modification causes or contributes to any alleged defect. If a SARGENT product is modified it may no longer meet industry certification and quality control standards applicable to the original product and is no longer a genuine SARGENT product.

Copyright © 2017-2021, SARGENT Manufacturing Company. All rights reserved. Reproduction in whole or in part without the express written permission of SARGENT Manufacturing Company is prohibited.

12-53-MD-	8406	8443	8446	8473
12-MD-	8410	8413	8415	8440
12-53-MD-5CH-	8474			
12-MD-5CH-				

Function	Assembly No.	Description	Sellable
12-53-MD-(All Functions) 12-MD-(All Functions) 12-53-MD-5CH-(All Functions) 12-MD-5CH-(All Functions)	68-5944	LHRB Non-Cladded	Yes
	68-5945	RHRB Non-Cladded	Yes
	68-5946	LHRB 1/2" Cladded	Yes
	68-5951	RHRB 1/2" Cladded	Yes
	68-6013	LHRB 1/4" Cladded	Yes
	68-6014	RHRB 1/4" Cladded	Yes

Item	Assy No.	Part No.	Description	Qty	Sellable
1	N/A	68-0496	Chassis Cover, Narrow*	1	Yes
2		68-3905	Screw Pack (B)*	1	Yes
3	See chart above	68-1644	LHRB Non-Cladded	1	Yes
		68-1645	RHRB Non-Cladded		Yes
		68-1646	LHRB 1/2" Cladded		Yes
		68-1647	RHRB 1/2" Cladded		Yes
		68-1649	LHRB 1/4" Cladded		Yes
		68-1650	RHRB 1/4" Cladded		Yes
4		68-0479	Lift Lever Pivot Pin	1	Yes
5		68-0241	Lift Arm	1	Yes
6		68-0239	Pivot Pin (Lift Arm)	1	Yes
7		68-0486	Chassis	1	Yes
8	68-3627	N/A	12- Inner Chassis Assembly	1	Yes
	68-3855		12-53- Inner Chassis Assembly		Yes
	68-7935		5CH-12- Inner Chassis Assembly		Yes
	68-7790		5CH-12-53- Inner Chassis Assembly		Yes
9	(Std) MD660T (5CH) MD660T		Top Rod <sup>1,2,3</sup>	1	Yes
10	(Std) MD691T (5CH) MD691T	01-0696	Coiled Pin	2	Yes
11		68-4840	Latch Bolt Assembly	1	Yes
		67-7938	5CH Latch Bolt Assembly	1	Yes
12	68-5374	67-7938	Top Case Assembly STD	1	Yes
	68-5375		Top Case Assembly 1/4" Cladded		Yes
	68-5376		Top Case Assembly 1/2" Cladded		Yes
13		(Std) 660B	Bottom Rod <sup>1,2,3</sup>	1	Yes
		(5CH) 660B		1	Yes
14	(Std) 691B (5CH) 691B	94-0039	Bolt Sleeve	1	Yes
15		01-4389	Roll Pin	1	Yes
16		97-0454	Spring (Bottom Bolt)	1	Yes
17		94-0038	Bottom Bolt	1	Yes
18		N/A	68-0888	Bottom Plate	1
	68-3676		Screw Pack*	1	Yes
	650		Top Strike Pack	1	Yes
	606		Bottom Strike Pack	1	Yes



\*Specify Finish  
1. Specify AFF  
2. Specify Opening Height  
3. Specify Standard or 5CH prefix before order.

The warranty on SARGENT® products becomes void if the product is modified in any way, regardless of whether the modification causes or contributes to any alleged defect. If a SARGENT product is modified it may no longer meet industry certification and quality control standards applicable to the original product and is no longer a genuine SARGENT product.

Copyright © 2017-2021, SARGENT Manufacturing Company. All rights reserved. Reproduction in whole or in part without the express written permission of SARGENT Manufacturing Company is prohibited.

Experience a safer  
and more open world

53-MD-	8606	8643	8646	8673
59-MD	8610	8613	8615	8674
MD-	8640			
53-MD-5CH-				
MD-5CH-				

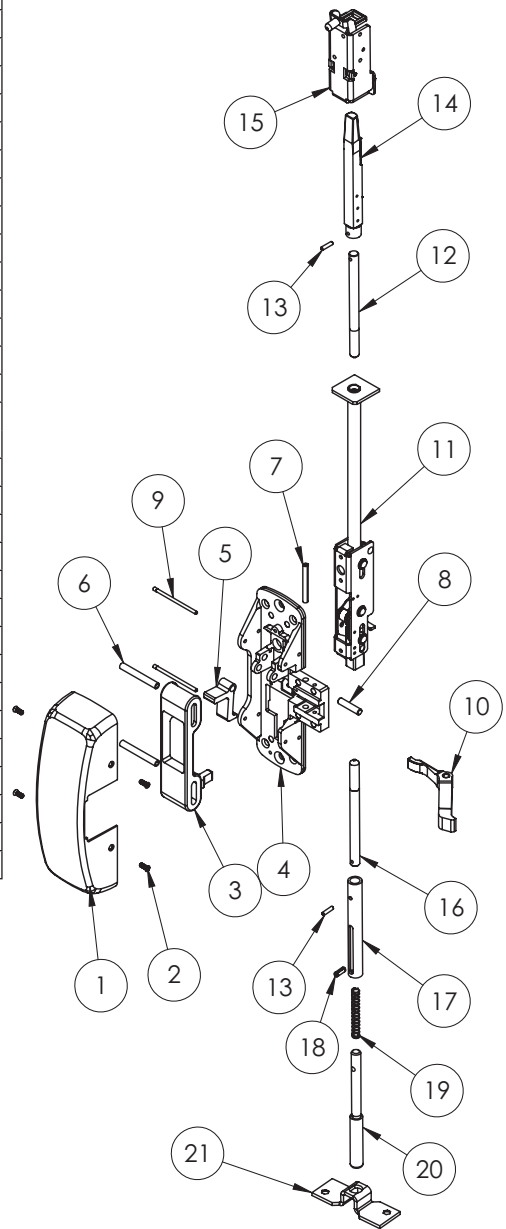
**SARGENT**  
**ASSA ABLOY**

Function	Assembly No.	Description	Sellable
53-MD- 59-MDMD- 53-MD-5CH- MD-5CH- (All Functions)	68-5068	LHRB Chassis Assembly	Yes
	68-5069	RHRB Chassis Assembly	Yes
	68-5070	59- LHRB Chassis Assembly	Yes
	68-5071	59- RHRB Chassis Assembly	Yes

Item	Assy No.	Part No.	Description	Qty	Sellable		
1	N/A	68-0407	Chassis Cover*	1	Yes		
2		68-3905	Screw Pack (B)*	1	Yes		
3		68-0011	Main Slide	1	Yes		
		68-1815	59- Main Slide		No		
		68-1836	Main Slide Cup to 1/2" Cladding <sup>4</sup>		Yes		
4		68-1505	Chassis (LH)	1	Yes		
		68-1506	Chassis (RH)		Yes		
5 6 7 8 9	See chart above	68-1503	Lift Lever	1	Yes		
		68-0012	Roller (Main Slide)	2	Yes		
		01-4512	Spirol Pin	1	Yes		
		68-0324	Lift Lever Pivot Pin	1	Yes		
		68-0323	Chassis Pin	2	Yes		
		10	68-0241	Lift Arm	1	Yes	
			68-1137	59- Lift Arm		Yes	
		11	94-2008	N/A	Inner Chassis Assembly	1	Yes
			68-3854		53- Inner Chassis Assembly <sup>3</sup>		Yes
			68-7936		5CH- Inner Chassis Assembly		Yes
68-7789	5CH-53- Inner Chassis Assembly		Yes				
12	(Std) MD691T (5CH) MD691T	(Std) MD660T	Top Rod <sup>1,2,5</sup>	1	Yes		
13		(5CH) MD660T					
14	(Std) MD691T (5CH) MD691T	01-0696	Coiled Pin	2	Yes		
15		68-4840	Latch Bolt Assembly	1	Yes		
	67-7938	5CH Latch Bolt Assembly	1	Yes			
16	68-5374 68-5375 68-5376	N/A	Top Case Assembly STD	1	Yes		
			Top Case Assembly 1/4" Cladded		Yes		
			Top Case Assembly 1/2" Cladded		Yes		
17	(Std) 691B (5CH) 691B	(Std) 660B	Bottom Rod <sup>1,2,5</sup>	1	Yes		
		(5CH) 660B					
18	(Std) 691B (5CH) 691B	94-0039	Bolt Sleeve	1	Yes		
19		01-4389	Roll Pin	1	Yes		
20		97-0454	Spring (Bottom Bolt)	1	Yes		
		94-0038	Bottom Bolt	1	Yes		
21	N/A	68-0888	Bottom Plate	1	Yes		
		68-4389	Screw Pack (W)*	1	Yes		
		652	Strike Pack	1	Yes		

\*Specify Finish

1. Specify AFF
2. Specify Opening Height
3. Also used with 59-
4. Cut the main slide finger as needed for panel thickness
5. Specify Standard or 5CH prefix before order.



A8231L 04/21

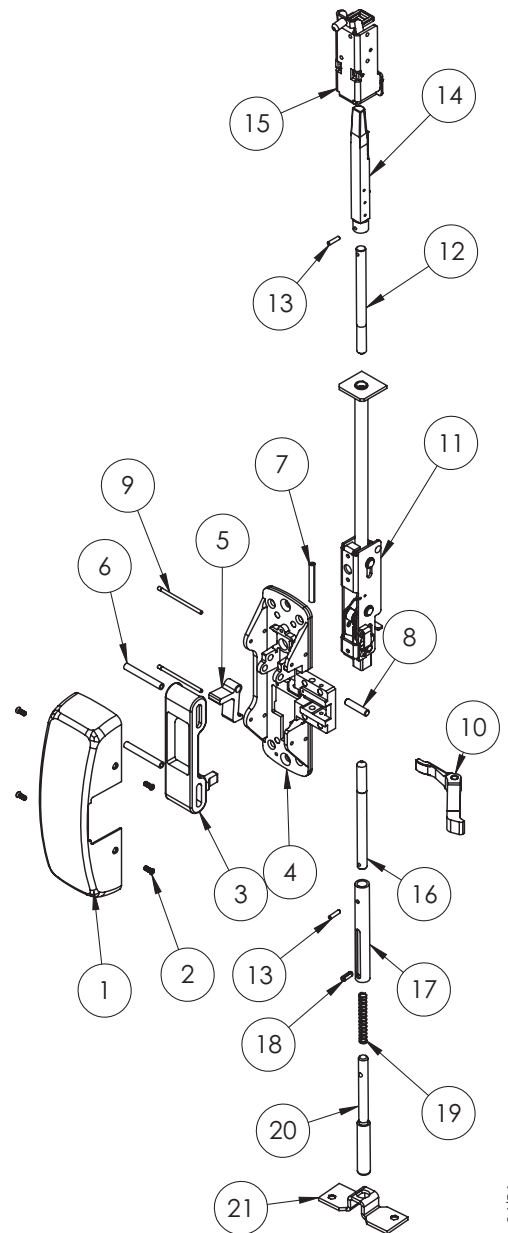
The warranty on SARGENT® products becomes void if the product is modified in any way, regardless of whether the modification causes or contributes to any alleged defect. If a SARGENT product is modified it may no longer meet industry certification and quality control standards applicable to the original product and is no longer a genuine SARGENT product.

12-53-MD-	8606	8643	8646	8673
12-59-MD-	8610	8613	8615	8674
12-MD-	8640			
12-53-MD-5CH-				
12-MD-5CH-				

Function	Assembly No.	Description	Sellable
12-53-MD-	68-5068	LHRB Chassis Assembly	Yes
12-59-MD-	68-5069	RHRB Chassis Assembly	Yes
12-MD-	68-5070	59- LHRB Chassis Assembly	Yes
12-53-MD-5CH-	68-5071	59- RHRB Chassis Assembly	Yes
12-MD-5CH-			
(All Functions)			

Item	Assy No.	Part No.	Description	Qty	Sellable
1	N/A	68-0407	Chassis Cover*	1	Yes
2		68-3905	Screw Pack (B)*	1	Yes
3		68-0011	Main Slide	1	Yes
		68-1815	59- Main Slide		No
4		68-1836	Main Slide Cup to 1/2" Cladding <sup>4</sup>	1	Yes
		68-1505	Chassis (LH)		Yes
5	See chart above	68-1506	Chassis (RH)	1	Yes
		68-1503	Lift Lever		Yes
6		68-0012	Roller (Main Slide)	2	Yes
7		01-4512	Spirol Pin	1	Yes
8		68-0324	Lift Lever Pivot Pin	1	Yes
9		68-0323	Chassis Pin	2	Yes
10		68-0241	Lift Arm	1	Yes
		68-1137	59- Lift Arm		Yes
11	68-3627	N/A	12- Inner Chassis Assembly	1	Yes
	68-3855		12- 53- Inner Chassis Assembly <sup>3</sup>		Yes
	68-7935		5CH-12- Inner Chassis Assembly		Yes
	68-7790		5CH-12-53- Inner Chassis Assembly		Yes
12		(Std) MD660T (5CH) MD660T	Top Rod <sup>1,2,5</sup>	1	Yes
13	(Std) MD691T (5CH) MD691T	01-0696	Coiled Pin	2	Yes
14		68-4840	Latch Bolt Assembly	1	Yes
		67-7938	5CH Latch Bolt Assembly	1	Yes
15	68-5374	N/A	Top Case Assembly STD	1	Yes
	68-5375		Top Case Assembly 1/4" Cladded		Yes
	68-5376		Top Case Assembly 1/2" Cladded		Yes
16		(Std) 660B (5CH) 660B	Bottom Rod <sup>1,2,5</sup>	1	Yes
				1	Yes
17	(Std) 691B	94-0039	Bolt Sleeve	1	Yes
18	(5CH) 691B	01-4389	Roll Pin	1	Yes
19		97-0454	Spring (Bottom Bolt)	1	Yes
20		94-0038	Bottom Bolt	1	Yes
21	N/A	68-0888	Bottom Plate	1	Yes
		68-4389	Screw Pack(W)*	1	Yes
		650	Top Strike Pack	1	Yes
		606	Bottom Strike Pack		Yes

- \*Specify Finish  
1. Specify AFF  
2. Specify Opening Height  
3. Also used with 12-59-  
4. Cut the main slide finger as needed for panel thickness  
5. Specify Standard or 5CH prefix before order



Experience a safer  
and more open world

The warranty on SARGENT® products becomes void if the product is modified in any way, regardless of whether the modification causes or contributes to any alleged defect. If a SARGENT product is modified it may no longer meet industry certification and quality control standards applicable to the original product and is no longer a genuine SARGENT product.

Copyright © 2017-2021, SARGENT Manufacturing Company. All rights reserved. Reproduction in whole or in part without the express written permission of SARGENT Manufacturing Company is prohibited.

53-WD-	8606	8610	8613	8615
59-WD	8640	8643	8646	8673
WD-	8674			
53-WD-5CH-				
WD-5CH-				

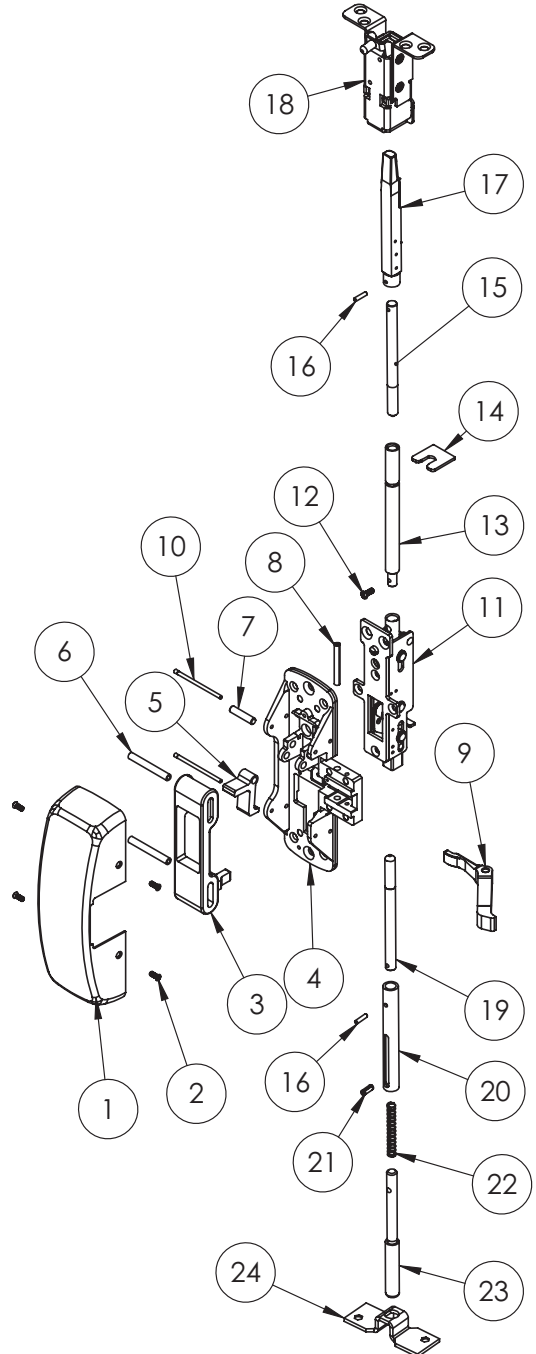
**SARGENT**  
**ASSA ABLOY**

Function	Assembly No.	Description	Sellable
53-WD- 59-WD- WD- 53-WD-5CH- WD-5CH- (All Functions)	68-5068	LHRB Chassis Assembly	Yes
	68-5069	RHRB Chassis Assembly	Yes
	68-5070	59- LHRB Chassis Assembly	Yes
	68-5071	59- RHRB Chassis Assembly	Yes
	(Std) WD691T (5CH) WD660T	Top Rod and Bolt Kit <sup>5</sup>	Yes
	WDA691T <sup>4</sup>	Top Rod and Bolt Kit with Aux Kit (Parts 12, 13, 14)	Yes

Item	Assy No.	Part No.	Description	Qty	Sellable	
1	N/A	68-0407	Chassis Cover*	1	Yes	
2		68-3905	Screw Pack (B)*	1	Yes	
3	See chart above	68-0011	Main Slide	1	Yes	
		68-1815	59- Main Slide		No	
4		68-1505	Chassis (LH)	1	Yes	
		68-1506	Chassis (RH)		Yes	
5		68-1503	Lift Lever	1	Yes	
6		68-0012	Roller (Main Slide)	2	Yes	
7		68-0324	Lift Lever Pivot Pin	1	Yes	
8		01-4512	Spirol Pin	1	Yes	
9		68-0241	Lift Arm	1	Yes	
		68-1137	59- Lift Arm		Yes	
10		68-0323	Chassis Pin	2	Yes	
11	68-3580	N/A	Inner Chassis Assembly	1	Yes	
	68-3859		53- Inner Chassis Assembly <sup>3</sup>	1	Yes	
	68-7785		5CH- Inner Chassis Assembly	1	Yes	
	68-7786		5CH-53- Inner Chassis Assembly	1	Yes	
12	See chart above	01-1137	Screw #8-32 x 7/16 4	1	Yes	
13		68-0918	Extension Rod <sup>4</sup>	1	Yes	
14		68-0917	Auxillary Control Plate <sup>4</sup>	1	Yes	
15		(Std) WD660T (5CH) WD660T	Top Rod <sup>1,2,5</sup>	1	Yes	
16		01-0696	Coiled Pin	2	Yes	
17		68-4840	Latch Bolt Assembly	1	Yes	
		67-7938	5CH Latch Bolt Assembly	1	Yes	
		18	68-3522	N/A	Top Case and Bracket Assembly STD	1
		68-3523	Top Case and Bracket Assembly 1/4" Cladded		1	Yes
		68-3524	Top Case and Bracket Assembly 1/2" Cladded		1	Yes
19	(Std) 691B (5CH) 691B	(Std) 660B (5CH) 660B	Bottom Rod <sup>1,2,3</sup>	1	Yes	
20		94-0039	Bolt Sleeve	1	Yes	
21		01-4389	Roll Pin	1	Yes	
22		97-0454	Spring (Bottom Bolt)	1	Yes	
23		94-0038	Bottom Bolt	1	Yes	
24	N/A	68-0888	Bottom Plate	1	Yes	
		68-4389	Screw Pack (W)*	1	Yes	
		652	Strike Pack	1	Yes	

\*Specify Finish

1. Specify AFF
2. Specify Opening Height
3. Also used with 59-
4. Only when used w/ Aux Control
5. Specify Standard or 5CH prefix before order



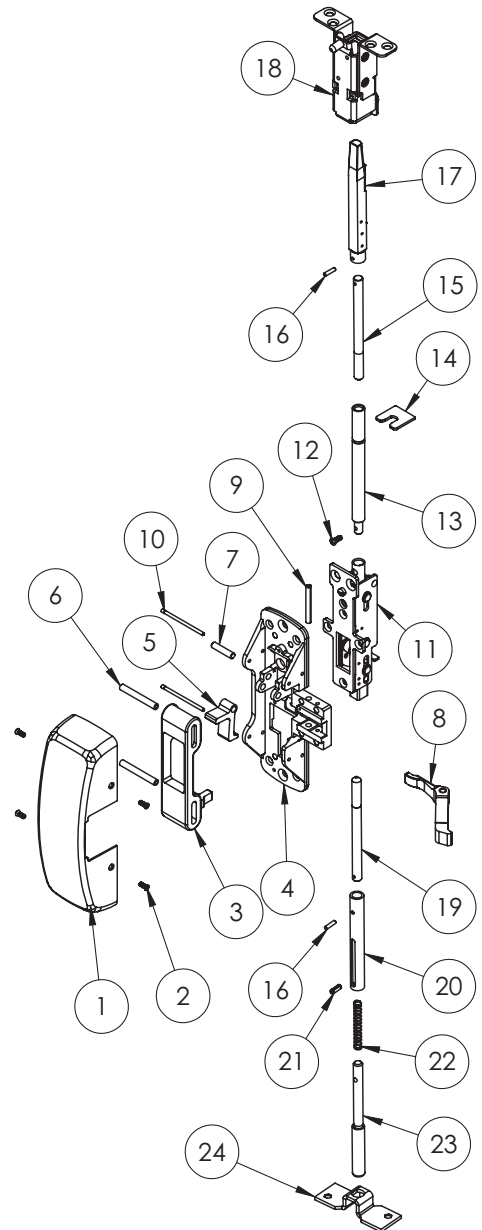
The warranty on SARGENT® products becomes void if the product is modified in any way, regardless of whether the modification causes or contributes to any alleged defect. If a SARGENT product is modified it may no longer meet industry certification and quality control standards applicable to the original product and is no longer a genuine SARGENT product.

12-53-WD-	8606	8610	8613	8615
12-59-WD-	8640	8643	8646	8673
12-WD-	8674			
12-53-WD-5CH-				
12-WD-5CH-				

Function	Assembly No.	Description	Sellable
12-53-WD- 12-59-WD- 12-WD- 12-53-WD-5CH- 12-WD-5CH- (All Functions)	68-5068	LHRB Chassis Assembly	Yes
	68-5069	RHRB Chassis Assembly	Yes
	68-5070	59- LHRB Chassis Assembly	Yes
	68-5071	59- RHRB Chassis Assembly	Yes
	(Std) WD691T (5CH) WD691T	Top Rod and Bolt Kit <sup>5</sup>	Yes
	WDA691T <sup>4</sup>		Top Rod and Bolt Kit with Aux Kit (Parts 12, 13, 14)

Item	Assy No.	Part No.	Description	Qty	Sellable	
1	N/A	68-0407	Chassis Cover*	1	Yes	
2		68-3905	Screw Pack (B)*	1	Yes	
3		68-0011	Main Slide	1	Yes	
		68-1815	59- Main Slide		No	
4		68-1505	Chassis (LH)	1	Yes	
		68-1506	Chassis (RH)		Yes	
5	See chart above	68-1503	Lift Lever	1	Yes	
6		68-0012	Roller (Main Slide)	2	Yes	
7		68-0324	Lift Lever Pivot Pin	1	Yes	
8		68-0241	Lift Arm	1	Yes	
		68-1137	59- Lift Arm		Yes	
9		01-4512	Spirol Pin	1	Yes	
10		68-0323	Chassis Pin	2	Yes	
11		68-3580	N/A	12-Inner Chassis Assembly	1	Yes
		68-3859		12-53- Inner Chassis Assembly <sup>3</sup>	1	Yes
		68-7785		5CH- Inner Chassis Assembly	1	Yes
	68-7786	5CH-53- Inner Chassis Assembly		1	Yes	
12	01-1137	Screw #8-32 x 7/16 4	1	Yes		
13	68-0918	Extension Rod <sup>4</sup>	1	Yes		
14	68-0917	Auxillary Control Plate <sup>4</sup>	1	Yes		
15	See chart above	(Std) WD660T	Top Rod <sup>1,2,5</sup>	1	Yes	
		(5CH) WD660T				
16	01-0696	Coiled Pin	2	Yes		
17		68-4840	Latch Bolt Assembly	1	Yes	
		67-7938	5CH Latch Bolt Assembly	1	Yes	
18	68-3522	N/A	Top Case and Bracket Assembly STD	1	Yes	
	68-3523		Top Case and Bracket Assembly 1/4" Cladded		Yes	
	68-3524		Top Case and Bracket Assembly 1/2" Cladded		Yes	
19		(Std) 660B	Bottom Rod <sup>1,2,3</sup>	1	Yes	
		(5CH) 660B		1	Yes	
20	(Std) 691B	94-0039	Bolt Sleeve	1	Yes	
21	(5CH) 691B	01-4389	Roll Pin	1	Yes	
		97-0454	Spring (Bottom Bolt)	1	Yes	
22		94-0038	Bottom Bolt	1	Yes	
23		68-0888	Bottom Plate	1	Yes	
		68-4389	Screw Pack(W)*	1	Yes	
		650	Top Strike Pack	1	Yes	
		606	Bottom Strike Pack	1	Yes	

- \*Specify Finish  
1. Specify AFF  
2. Specify Opening Height  
3. Also used with 12-59-  
4. Only when used w/ Aux Control  
5. Specify Standard or 5CH prefix before order



Experience a safer  
and more open world

The warranty on SARGENT® products becomes void if the product is modified in any way, regardless of whether the modification causes or contributes to any alleged defect. If a SARGENT product is modified it may no longer meet industry certification and quality control standards applicable to the original product and is no longer a genuine SARGENT product.

Copyright © 2017-2021, SARGENT Manufacturing Company. All rights reserved. Reproduction in whole or in part without the express written permission of SARGENT Manufacturing Company is prohibited.