

80 Series Parts Manual



For assistance, contact SARGENT at
800-727-5477 or www.sargentlock.com

Experience a safer
and more open world

Copyright © 2017-2021, SARGENT Manufacturing Company. All rights reserved. Reproduction in whole or in part without the express written permission of SARGENT Manufacturing Company is prohibited.

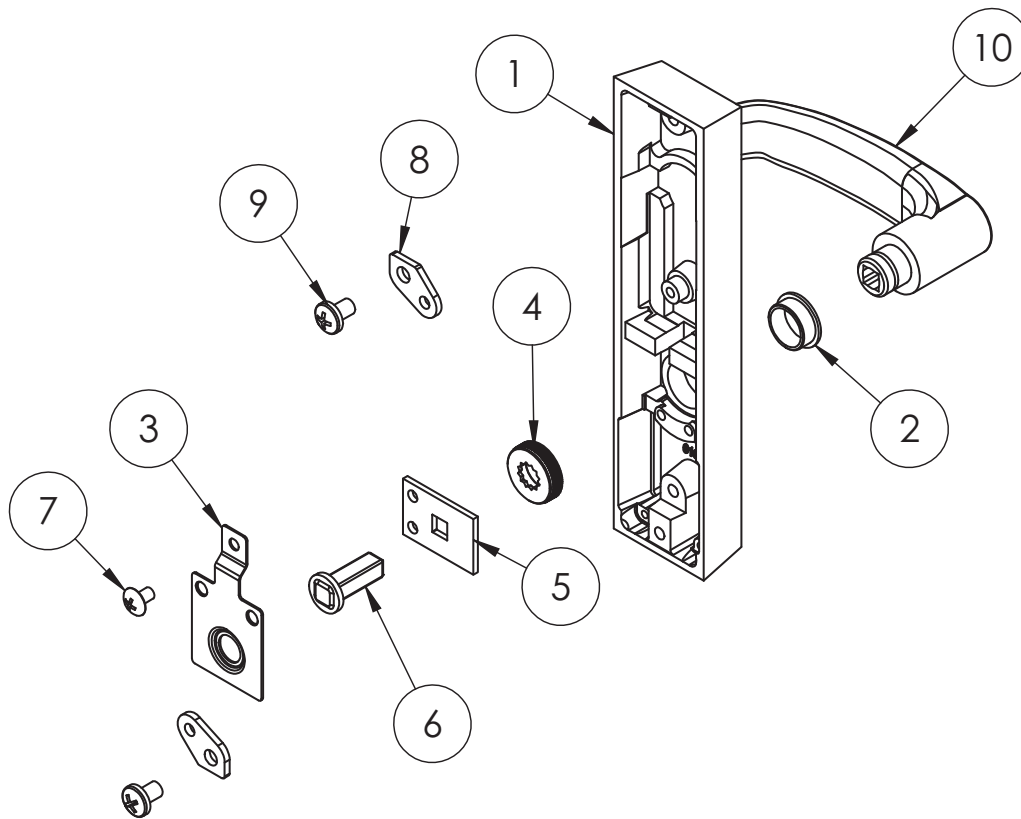
 **WARNING**

This product can expose you to lead which is known to the state of California to cause cancer and birth defects or other reproductive harm. For more information go to www.P65warnings.ca.gov.

A82311L 04/21

| Item | Part No. | Description | Qty | Sellable |
|-----------|----------|--|-----|----------|
| 1 | 97-0435 | ET Case, Off-Set Mounting ¹ | 1 | No |
| 2 | 97-0477 | Bushing Insert | 1 | Yes |
| 3 | 68-1393 | Retaining Plate | 1 | Yes |
| 4 | 97-0760 | Cap Nut | 1 | Yes |
| 5 | 97-0522 | Hub Plate (704/710) | 1 | Yes |
| 6 | 97-0573 | Spindle (704/710) | 1 | Yes |
| 7 | 01-1183 | Cr-Thms #10-32 X 5/16" | 1 | Yes |
| 8 | 68-0853 | Bracket | 2 | Yes |
| 9 | 01-1478 | Cr Pan Hd Mach Screw #1/4-20 X 3/8" | 2 | Yes |
| 10 | — | Lever Handle ^{1,2} | 1 | Yes |
| Not Shown | 01-4451 | Thru Bolt #1/4-20 X 2 3/8" (1 3/4" Door) | 2 | Yes |
| | 01-4372 | Thru Bolt #1/4-20 X 2 5/8" (2" Door) | 2 | Yes |
| | 01-4373 | Thru Bolt #1/4-20 X 3 7/8" (2 1/4" Door) | 2 | Yes |

1. Specify finish
2. Specify lever design by hand

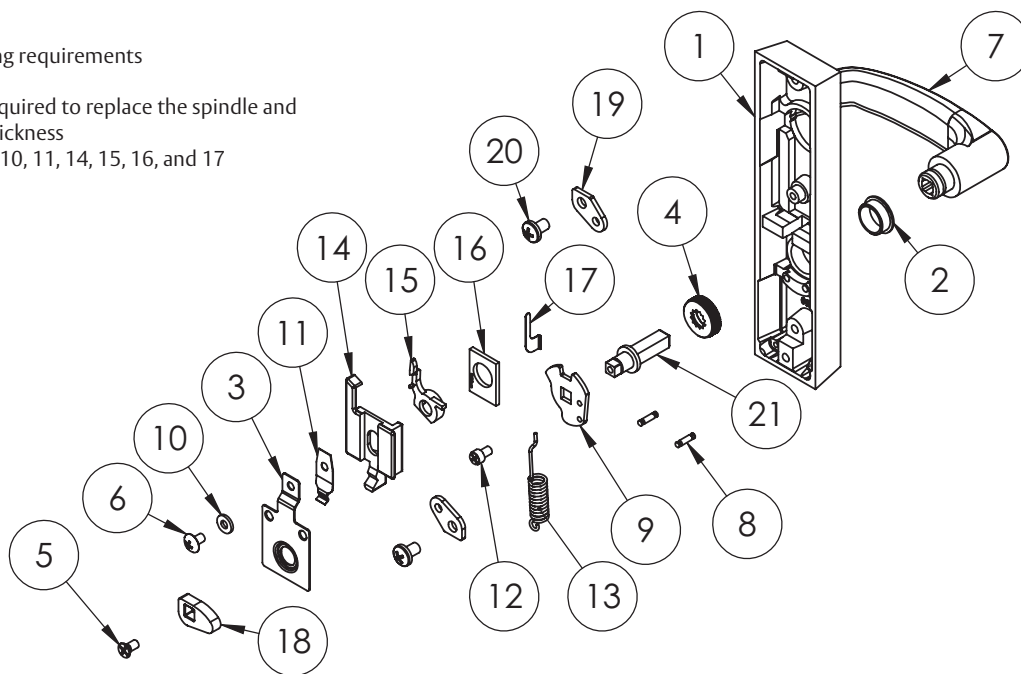


A8231L 04/21

The warranty on SARGENT® products becomes void if the product is modified in any way, regardless of whether the modification causes or contributes to any alleged defect. If a SARGENT product is modified it may no longer meet industry certification and quality control standards applicable to the original product and is no longer a genuine SARGENT product.

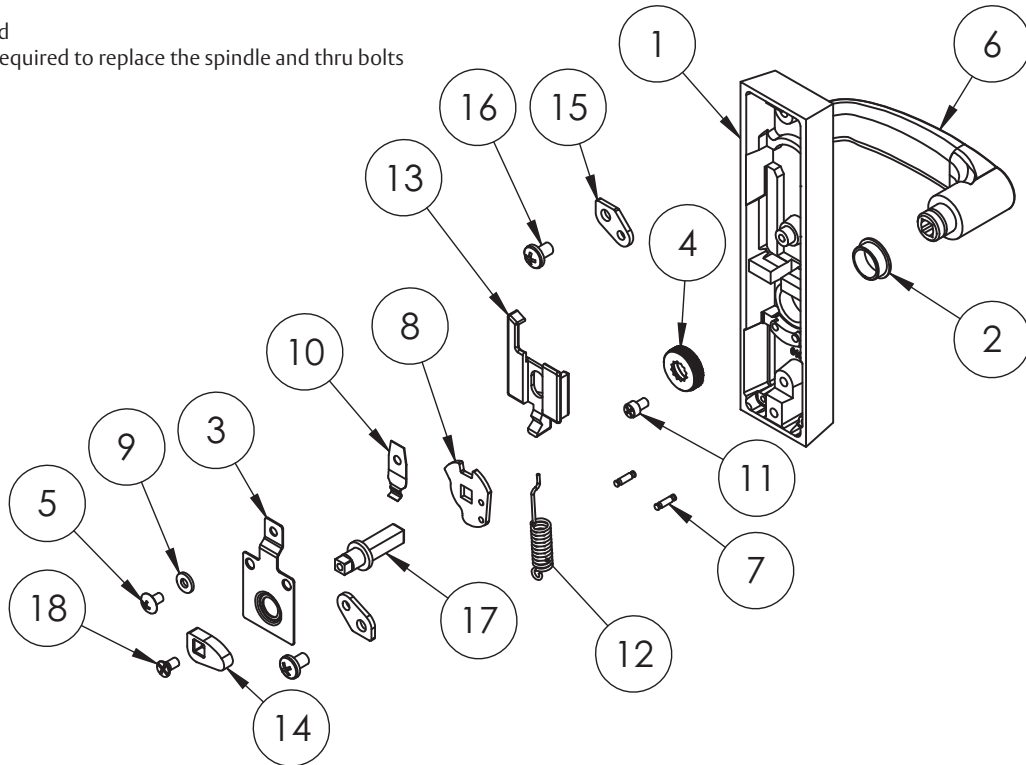
| Item | Part No. | Description | Qty | Sellable |
|-----------|----------|--|-----|----------|
| 1 | 97-0436 | ET Case, Off-Set Mounting | 1 | No |
| 2 | 97-0477 | Bushing Insert | 1 | Yes |
| 3 | 68-1393 | Retaining Plate | 1 | Yes |
| 4 | 97-0760 | Cap Nut | 1 | Yes |
| 5 | 01-1027 | Ph Fl U'cut Ms #10-24 X 3/8" | 1 | Yes |
| 6 | 01-1183 | Cr-Thms #10-32 X 5/16" | 1 | Yes |
| 7 | — | Lever Handle ^{1,3} | 1 | Yes |
| Not Shown | — | Cylinder Assembly ^{1,2} | 1 | Yes |
| | 97-0350 | Collar ¹ | 1 | Yes |
| | 13-0180 | Cylinder Nut | 1 | Yes |
| 8 | 01-4507 | 1/8" X 1/2" Double Ended Groove Pin | 2 | No |
| 9 | 97-0528 | Hub Plate (Std) | 1 | Yes |
| 10 | 97-0557 | Fusible Link | 1 | Yes |
| 11 | 97-0571 | Locking Slide Spring | 1 | Yes |
| 12 | 01-1182 | Cr-Chms #10-32 X 19/64" | 1 | Yes |
| 13 | 97-0425 | Hub Spring (Std) | 1 | Yes |
| 14 | 97-0355 | Locking Slide (706) | 1 | Yes |
| | 97-0356 | Locking Slide (713) | 1 | Yes |
| 15 | 97-0558 | Slide Support | 1 | No |
| 16 | 97-0563 | Spring Support | 1 | No |
| 17 | 97-0564 | Return Spring | 1 | No |
| 18 | 68-0852 | Cam 700-4 | 1 | Yes |
| 19 | 68-0853 | Bracket | 2 | Yes |
| 20 | 01-1478 | Cr Pan Hd Mach Screw #1/4-20 X 3/8" | 2 | Yes |
| 21 | 97-0549 | Spindle (1 3/4" Door) (730-4) | 1 | Yes |
| | 97-0550 | Spindle (2" Door) (730-5) | 1 | Yes |
| | 97-0551 | Spindle (2 1/4" Door) (730-6) | 1 | Yes |
| Not Shown | 01-4451 | Thru Bolt #1/4-20 X 2 3/8" (1 3/4" Door) | 2 | Yes |
| | 01-4372 | Thru Bolt #1/4-20 X 2 5/8" (2" Door) | 2 | Yes |
| | 01-4373 | Thru Bolt #1/4-20 X 2 7/8" (2 1/4" Door) | 2 | Yes |

1. Specify finish
 2. Specify #41 cylinder by keying requirements
 3. Specify lever design by hand
- Note: 730 kit includes items required to replace the spindle and thru bolts for specified door thickness
- Note: 607 kit includes items 6, 10, 11, 14, 15, 16, and 17



| Item | Part No. | Description | Qty | Sellable |
|-----------|----------|--|-----|----------|
| 1 | 97-0435 | ET Case, Off-Set Mounting | 1 | No |
| 2 | 97-0477 | Bushing Insert | 1 | Yes |
| 3 | 68-1393 | Retaining Plate | 1 | Yes |
| 4 | 97-0760 | Cap Nut | 1 | Yes |
| 5 | 01-1183 | Cr-Thms #10-32 X 5/16" | 1 | Yes |
| 6 | — | Lever Handle ^{1,2} | 1 | Yes |
| 7 | 01-4507 | 1/8 X 1/2 Double Ended Groove Pin | 2 | No |
| 8 | 97-0528 | Hub Plate (Std) | 1 | Yes |
| 9 | 97-0557 | Fusible Link | 1 | Yes |
| 10 | 97-0571 | Locking Slide Spring | 1 | Yes |
| 11 | 01-1182 | Cr-Chms #10-32 X 19/64" | 1 | Yes |
| 12 | 97-0425 | Hub Spring (Std) | 1 | Yes |
| 13 | 97-0356 | Locking Slide (713) | 1 | Yes |
| 14 | 68-0852 | Cam 700-4 | 1 | Yes |
| 15 | 68-0853 | Bracket | 2 | Yes |
| 16 | 01-1478 | Cr Pan Hd Mach Screw #1/4-20 X 3/8" | 2 | Yes |
| 17 | 730-4 | Spindle Retrofit Kit (1 3/4" Door) | 1 | Yes |
| | 730-5 | Spindle Retrofit Kit (2" Door) | 1 | Yes |
| | 730-6 | Spindle Retrofit Kit (2 1/4" Door) | 1 | Yes |
| 18 | 01-1027 | Cr-Fhms #10-24 X 3/8" | 1 | Yes |
| Not Shown | 01-4451 | Thru Bolt #1/4-20 X 2 3/8" (1 3/4" Door) | 2 | Yes |
| | 01-4372 | Thru Bolt #1/4-20 X 2 5/8" (2" Door) | 2 | Yes |
| | 01-4373 | Thru Bolt #1/4-30 X 2 7/8" (2 1/4" Door) | 2 | Yes |

1. Specify finish
 2. Specify lever design by hand
- Note: 730 kit includes items required to replace the spindle and thru bolts for specified door thickness

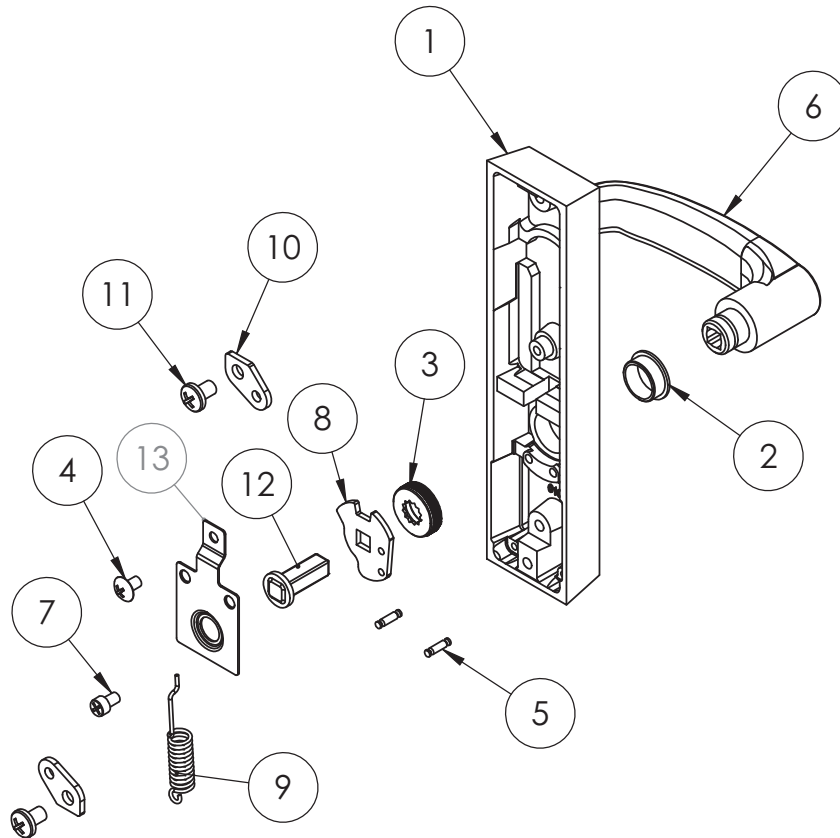


A8231L 04/21

The warranty on SARGENT® products becomes void if the product is modified in any way, regardless of whether the modification causes or contributes to any alleged defect. If a SARGENT product is modified it may no longer meet industry certification and quality control standards applicable to the original product and is no longer a genuine SARGENT product.

| Item | Part No. | Description | Qty | Sellable |
|-----------|----------|--|-----|----------|
| 1 | 97-0435 | ET Case, Off-Set Mounting ¹ | 1 | No |
| 2 | 97-0477 | Bushing Insert | 1 | Yes |
| 3 | 97-0760 | Cap Nut | 1 | Yes |
| 4 | 01-1183 | Cr-Thms #10-32 X 5/16" | 1 | Yes |
| 5 | 01-4507 | 1/8 X 1/2 Double Ended Groove Pin | 2 | No |
| 6 | — | Lever Handle ^{1,2} | 1 | Yes |
| 7 | 01-1182 | Cr-Chms #10-32 X 19/64" | 1 | Yes |
| 8 | 97-0528 | Hub Plate | 1 | Yes |
| 9 | 97-0425 | Hub Spring (Std) | 1 | Yes |
| 10 | 68-0853 | Bracket | 2 | Yes |
| 11 | 01-1478 | Cr Pan Hd Mach Screw #1/4-20 X 3/8" | 2 | Yes |
| 12 | 97-0573 | Spindle | 1 | Yes |
| 13 | 68-1393 | Retaining Plate | 1 | Yes |
| Not Shown | 01-4451 | Thru Bolt #1/4-20 X 2 3/8" (1 3/4" Door) | 2 | Yes |
| | 01-4372 | Thru Bolt #1/4-20 X 2 5/8" (2" Door) | 2 | Yes |
| | 01-4373 | Thru Bolt #1/4-20 X 2 7/8" (2 1/4" Door) | 2 | Yes |

- 1. Specify finish
- 2. Specify lever design by hand

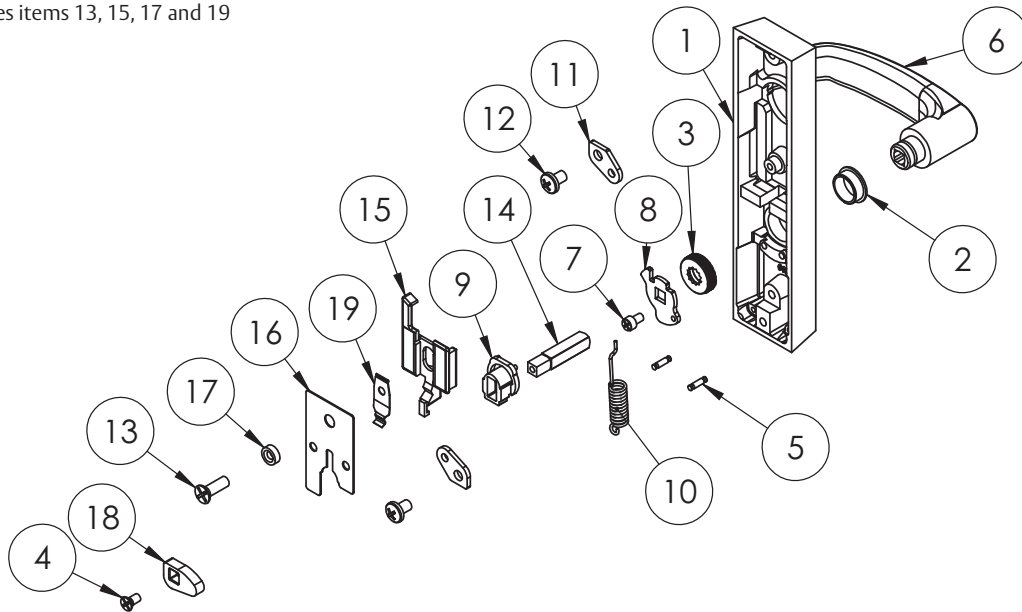


The warranty on SARGENT® products becomes void if the product is modified in any way, regardless of whether the modification causes or contributes to any alleged defect. If a SARGENT product is modified it may no longer meet industry certification and quality control standards applicable to the original product and is no longer a genuine SARGENT product.

Copyright © 2017-2021, SARGENT Manufacturing Company. All rights reserved. Reproduction in whole or in part without the express written permission of SARGENT Manufacturing Company is prohibited.

| Item | Part No. | Description | Qty | Sellable |
|-----------|----------|--|-----|----------|
| 1 | 97-0436 | ET Case, Off-Set Mounting | 1 | No |
| 2 | 97-0477 | Bushing Insert | 1 | Yes |
| 3 | 97-0760 | Cap Nut | 1 | Yes |
| 4 | 01-1027 | Cr-Fhms #10-24 X 3/8" | 1 | Yes |
| 5 | 01-4507 | 1/8 X 1/2 Double Ended Groove Pin | 2 | No |
| 6 | — | Lever Handle ^{1,3} | 1 | Yes |
| 7 | 01-1182 | Cr-Chms #10-32 X 19/64" | 1 | Yes |
| Not Shown | — | Cylinder ^{1,2} | 1 | Yes |
| | 97-0350 | Collar ¹ | 1 | Yes |
| | 13-0180 | Cylinder Nut | 1 | Yes |
| 8 | 97-0478 | Lower Hub Plate | 1 | Yes |
| 9 | 97-0479 | Spindle Lock | 1 | Yes |
| 10 | 97-0425 | Hub Spring (Std) | 1 | Yes |
| 11 | 68-0853 | Bracket | 2 | Yes |
| 12 | 01-1478 | Cr Pan Hd Ms #1/4-20 X 3/8" | 2 | Yes |
| 13 | 01-1183 | Cr-Fhms #10-32 X 5/16" | 1 | Yes |
| 14 | 97-3098 | Spindle Assembly (1 3/4" Door) | 1 | Yes |
| | 97-3099 | Spindle Assembly (2" Door) | 1 | Yes |
| | 97-3100 | Spindle Assembly (2 1/4" Door) | 1 | Yes |
| 15 | 97-0475 | Locking Slide (743) | 1 | Yes |
| 16 | 97-0581 | Retaining Plate | 1 | Yes |
| 17 | 97-0582 | Spacer | 1 | Yes |
| 18 | 68-0852 | Cam 700-4 | 1 | Yes |
| 19 | 97-0347 | Locking Slide Spring | 1 | Yes |
| Not Shown | 01-4451 | Thru Bolt #1/4-20 X 2 3/8" (1 3/4" Door) | 2 | Yes |
| | 01-4372 | Thru Bolt #1/4-20 X 2 5/8" (2" Door) | 2 | Yes |
| | 01-4373 | Thru Bolt #1/4-20 X 2 7/8" (2 1/4" Door) | 2 | Yes |

1. Specify finish
 2. Specify #41 cylinder by keying requirements
 3. Specify lever design by hand
- Note: 607 kit includes items 13, 15, 17 and 19

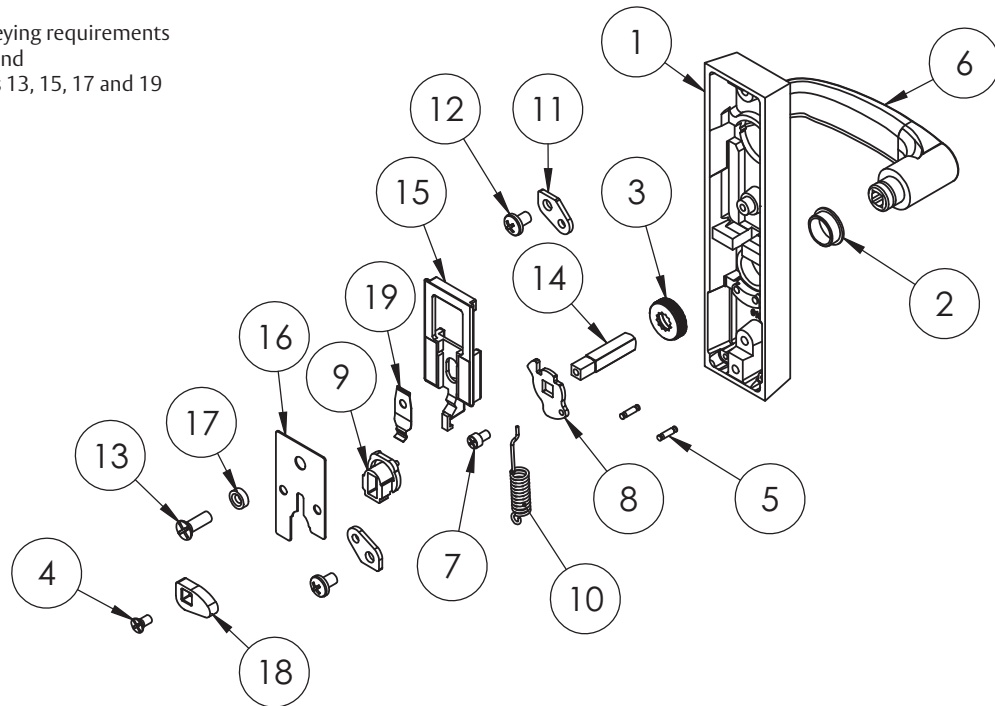


A8231L 04/21

The warranty on SARGENT® products becomes void if the product is modified in any way, regardless of whether the modification causes or contributes to any alleged defect. If a SARGENT product is modified it may no longer meet industry certification and quality control standards applicable to the original product and is no longer a genuine SARGENT product.

| Item | Part No. | Description | Qty | Sellable |
|-----------|----------|--|-----|----------|
| 1 | 97-0436 | ET Case, Off-Set Mounting | 1 | No |
| 2 | 97-0477 | Bushing Insert | 1 | Yes |
| 3 | 97-0760 | Cap | 1 | Yes |
| 4 | 01-1027 | Cr-Fhms #10-24 X 3/8" | 1 | Yes |
| 5 | 01-4507 | 1/8 X 1/2 Double Ended Groove Pin | 2 | No |
| 6 | — | Lever Handle ^{1,3} | 1 | Yes |
| 7 | 01-1182 | Cr-Chms #10-32 X 19/64" | 1 | Yes |
| 8 | 97-0478 | Lower Hub Plate | 1 | Yes |
| Not Shown | — | Cylinder ^{1,2} | 1 | Yes |
| | 97-0350 | Collar ¹ | 1 | Yes |
| | 13-0180 | Cylinder Nut | 1 | Yes |
| 9 | 97-0479 | Spindle Lock | 1 | Yes |
| 10 | 97-0425 | Hub Spring (Std) | 1 | Yes |
| 11 | 68-0853 | Bracket | 2 | Yes |
| 12 | 01-1478 | Cr Pan Hd Ms #1/4-20 X 3/8" | 2 | Yes |
| 13 | 01-1183 | Cr-Fhms #10-32 X 3/8" | 1 | Yes |
| 14 | 97-3092 | Spindle Assembly (1 3/4" Door) | 1 | Yes |
| | 97-3093 | Spindle Assembly (2" Door) | 1 | Yes |
| | 97-3094 | Spindle Assembly (2 1/4" Door) | 1 | Yes |
| 15 | 97-0476 | Locking Slide (746) | 1 | Yes |
| 16 | 97-0581 | Retaining Plate | 1 | Yes |
| 17 | 97-0582 | Spacer | 1 | Yes |
| 18 | 68-0852 | Cam 700-4 | 1 | Yes |
| 19 | 97-0347 | Locking Slide Spring | 1 | Yes |
| Not Shown | 01-4451 | Thru Bolt #1/4-20 X 2 3/8" (1 3/4" Door) | 2 | Yes |
| | 01-4372 | Thru Bolt #1/4-20 X 2 5/8" (2" Door) | 2 | Yes |
| | 01-4373 | Thru Bolt #1/4-20 X 2 7/8" (2 1/4" Door) | 2 | Yes |

1. Specify finish
 2. Specify #41 cylinder by keying requirements
 3. Specify lever design by hand
- Note: 607 kit includes items 13, 15, 17 and 19

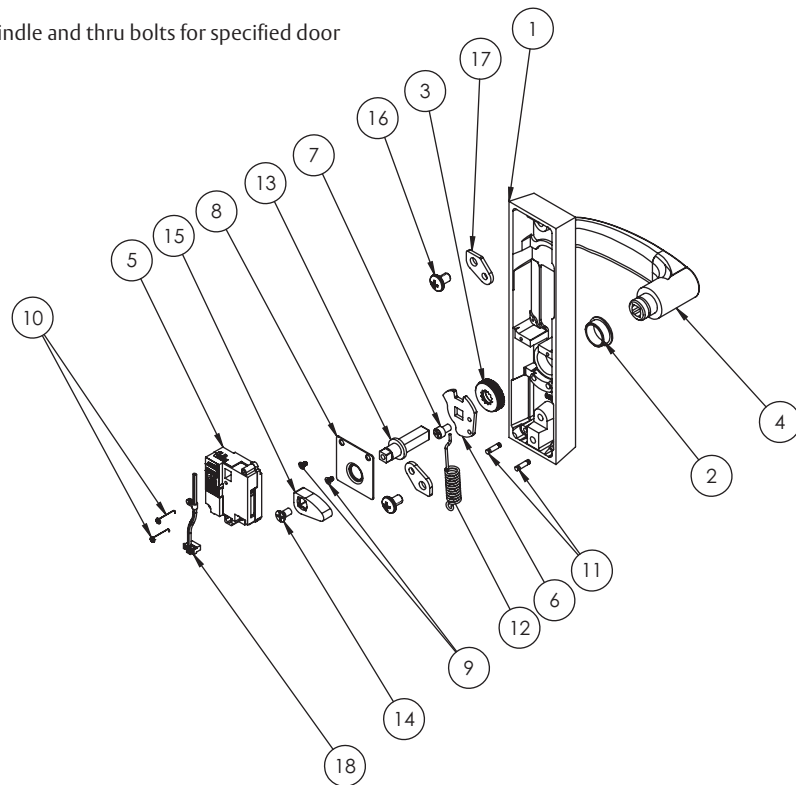


The warranty on SARGENT® products becomes void if the product is modified in any way, regardless of whether the modification causes or contributes to any alleged defect. If a SARGENT product is modified it may no longer meet industry certification and quality control standards applicable to the original product and is no longer a genuine SARGENT product.

Copyright © 2017-2021, SARGENT Manufacturing Company. All rights reserved. Reproduction in whole or in part without the express written permission of SARGENT Manufacturing Company is prohibited.

| Item | Part No. | Description | Qty | Sellable |
|-----------|----------|---|-----|----------|
| 1 | 97-0856 | Electric ET Case W/O Cylinder Prep ² | 1 | No |
| 2 | 97-0477 | Bushing Insert | 1 | Yes |
| 3 | 97-0760 | Cap Nut | 1 | Yes |
| 4 | — | Lever Handle ^{1,2} | 1 | Yes |
| 5 | 68-7546 | Motor Actuator Assembly | 1 | Yes |
| 6 | 97-0528 | Hub Plate (STD) | 1 | Yes |
| 7 | 01-1182 | Cr-Chms #10-32 X 19/64" | 1 | Yes |
| 8 | 97-0852 | Retainer Plate, Electrical Function | 1 | Yes |
| 9 | 01-4410 | #4-40 X 1/4" Ph Flat Head Machine Screw | 2 | Yes |
| 10 | 01-4383 | #2-56 X 5/8" Ph Pan Head Machine Screw | 2 | Yes |
| 11 | 01-4507 | 1/8 x 1/2 Double Ended Groove Pin | 2 | No |
| 12 | 97-0425 | Hub Spring (STD) | 1 | Yes |
| 13 | 730-4 | Spindle Retrofit Kit (1 3/4" Door) | 1 | Yes |
| | 730-5 | Spindle Retrofit Kit (2" Door) | 1 | Yes |
| | 730-6 | Spindle Retrofit Kit (2 1/4" Door) | 1 | Yes |
| 14 | 01-1027 | CR-FHMS 10-24x0.375 | 1 | Yes |
| 15 | 97-0603 | Cam | 1 | Yes |
| 16 | 01-1183 | Cr Pan Hd Ms #1/4-20 X 3/8" | 1 | Yes |
| 17 | 68-0853 | Bracket | 1 | Yes |
| 18 | 52-5660 | Ecoflex Et Harness F.Safe/F.Secure | 1 | Yes |
| | 52-5659 | Ecoflex ET Harness H1, H2, M1 | 1 | Yes |
| Not Shown | 01-4451 | Thru Bolt #1/4-20 X 2 3/8" (1 3/4" Door) | 2 | Yes |
| | 01-4372 | Thru Bolt #1/4-20 X 2 5/8" (2" Door) | 2 | Yes |
| | 01-4373 | Thru Bolt #1/4-20 X 2 7/8" (2 1/4" Door) | 2 | Yes |

1. Specify finish
 2. Specify lever design by hand
- Note: 730 kit includes items required to replace the spindle and thru bolts for specified door thickness.



A8231L 04/21

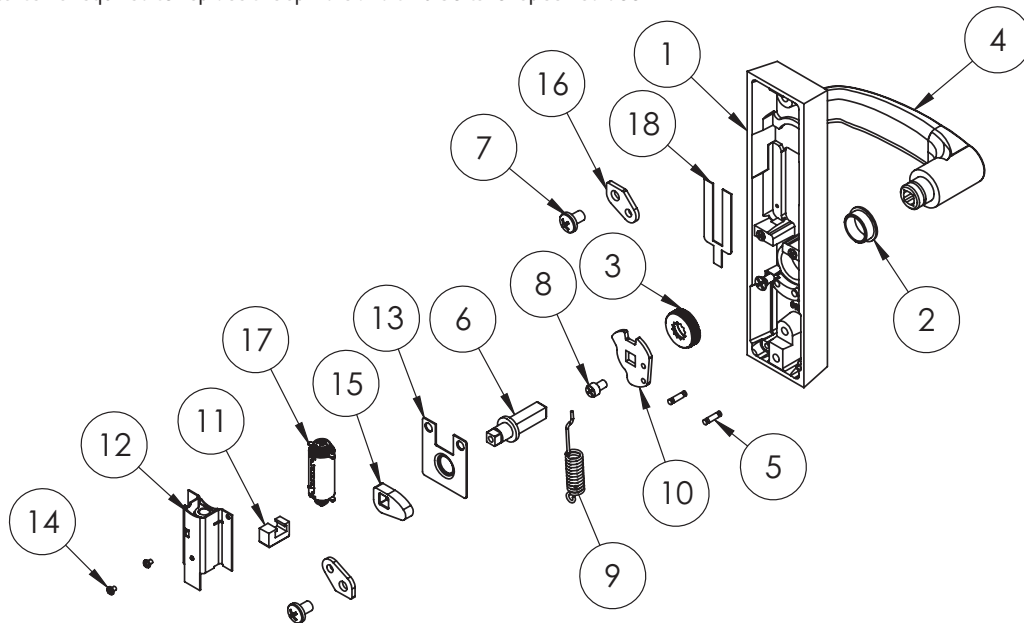
The warranty on SARGENT® products becomes void if the product is modified in any way, regardless of whether the modification causes or contributes to any alleged defect. If a SARGENT product is modified it may no longer meet industry certification and quality control standards applicable to the original product and is no longer a genuine SARGENT product.

| Item | Part No. | Description | Qty | Sellable |
|-----------|----------|--|-----|----------|
| 1 | 97-0437 | ET Case, Off-Set Mounting | 1 | No |
| 2 | 97-0477 | Bushing Insert | 1 | Yes |
| 3 | 97-0760 | Cap Nut | 1 | Yes |
| 4 | — | Lever Handle ^{1,2} | 1 | Yes |
| 5 | 01-4507 | 1/8" X 1/2" Double Ended Groove Pin | 2 | No |
| 6 | 730-4 | Spindle Retrofit Kit (1 3/4" Door) | 1 | Yes |
| | 730-5 | Spindle Retrofit Kit (2" Door) | 1 | Yes |
| | 730-6 | Spindle Retrofit Kit (2 1/4" Door) | 1 | Yes |
| 7 | 01-1478 | Cr Pan Hd Mach Screw #1/4 X 3/8" | 2 | Yes |
| 8 | 01-1182 | Cr-Chms #10-32 X 19/64" | 1 | Yes |
| 9 | 97-0425 | Hub Spring (Std) | 1 | Yes |
| 10 | 97-0528 | Hub Plate | 1 | Yes |
| 11 | 97-0329 | Locking Tail | 1 | No |
| 12 | 97-3932 | Solenoid Cover Assembly (Fail Secure) | 1 | No |
| 13 | 68-1402 | Retainer Plate, Electrical Function | 1 | No |
| 14 | 01-3563 | Machine Screw #5-40 X 1/4" | 2 | No |
| 15 | 68-0852 | Cam 700-4 | 1 | Yes |
| 16 | 68-0853 | Bracket | 2 | Yes |
| 17 | 52-3287 | 24V Pull Solenoid & Bridge Assy, Exit Trim | 1 | No |
| | 52-3289 | 24V Push Solenoid & Bridge Assy, Exit Trim | 1 | No |
| | 52-3290 | 12V Push Solenoid & Bridge Assy, Exit Trim | 1 | No |
| 18 | 97-0799 | Fork | 1 | Yes |
| Not Shown | 01-4451 | Thru Bolt #1/4-20 X 2 3/8" (1 3/4" Door) | 2 | Yes |
| | 01-4372 | Thru Bolt #1/4-20 X 2 5/8" (2" Door) | 2 | Yes |
| | 01-4373 | Thru Bolt #1/4-20 X 2 7/8" (2 1/4" Door) | 2 | Yes |

1. Specify finish

2. Specify lever design by hand

Note: 730 kit includes items required to replace the spindle and thru bolts for specified door thickness



The warranty on SARGENT® products becomes void if the product is modified in any way, regardless of whether the modification causes or contributes to any alleged defect. If a SARGENT product is modified it may no longer meet industry certification and quality control standards applicable to the original product and is no longer a genuine SARGENT product.

Copyright © 2017-2021, SARGENT Manufacturing Company. All rights reserved. Reproduction in whole or in part without the express written permission of SARGENT Manufacturing Company is prohibited.