

80 Series Parts Manual



For assistance, contact SARGENT at
800-727-5477 or www.sargentlock.com

Experience a safer
and more open world

Copyright © 2017-2021, SARGENT Manufacturing Company. All rights reserved. Reproduction in whole or in part without the express written permission of SARGENT Manufacturing Company is prohibited.

 **WARNING**

This product can expose you to lead which is known to the state of California to cause cancer and birth defects or other reproductive harm. For more information go to www.P65warnings.ca.gov.

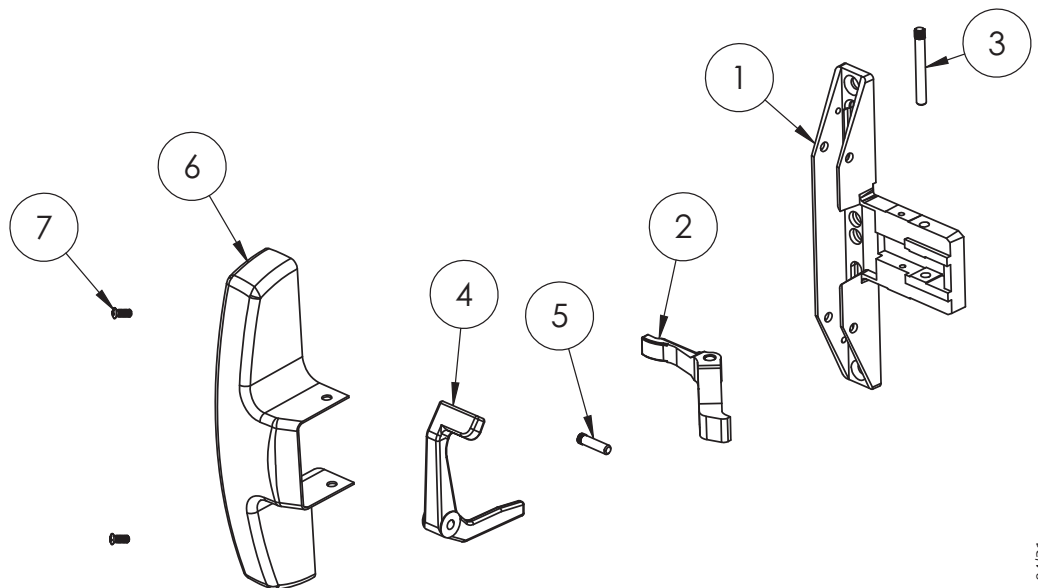
A82311L 04/21

(12-)8304 (12-)8310 (12-)8313 (12-)8315
 (12-)8328 (12-)8343 (12-)8344 (12-)8363
 (12-)8375 (12-)8376

Function		Assembly No.	Description	Sellable
(12-) All functions	1 3/4" Door	68-2481	LHRB	Yes
		68-2482	RHRB	Yes
	2"-2 3/4" Door	68-2483	LHRB	Yes
		68-2484	RHRB	Yes

Item	Part No.	Description	Qty	Sellable
1	68-0486	Chassis	1	Yes
2	68-0241	Lift Arm	1	Yes
3	68-0239	Pivot Pin (Lift Arm)	1	Yes
4	68-0489	Lift Lever LHRB 1 3/4" Door	1	Yes
	68-0490	Lift Lever RHRB 1 3/4" Door	1	Yes
	68-0491	Lift Lever LHRB 2 3/4" Door	1	Yes
	68-0492	Lift Lever RHRB 2 3/4" Door	1	Yes
5	68-0479	Pivot Pin (Lift Lever)	1	Yes
6	68-0496	Cover ¹	1	Yes
7	68-3905	Cover Screw Pack ¹	2	Yes
Not Shown	—	900 Series Mortise Assembly ^{1,2,4}	1	Yes
	68-2520	Screw Pack Standard	1	Yes
	68-2522	Screw Pack (12-)	1	Yes
	C908	Strike Pack ³ (1 1/4" Standard Lip)	1	Yes

1. Specify finish
2. Specify hand
3. Specify lip length
4. Specify function



The warranty on SARGENT® products becomes void if the product is modified in any way, regardless of whether the modification causes or contributes to any alleged defect. If a SARGENT product is modified it may no longer meet industry certification and quality control standards applicable to the original product and is no longer a genuine SARGENT product.

Copyright © 2017-2021, SARGENT Manufacturing Company. All rights reserved. Reproduction in whole or in part without the express written permission of SARGENT Manufacturing Company is prohibited.

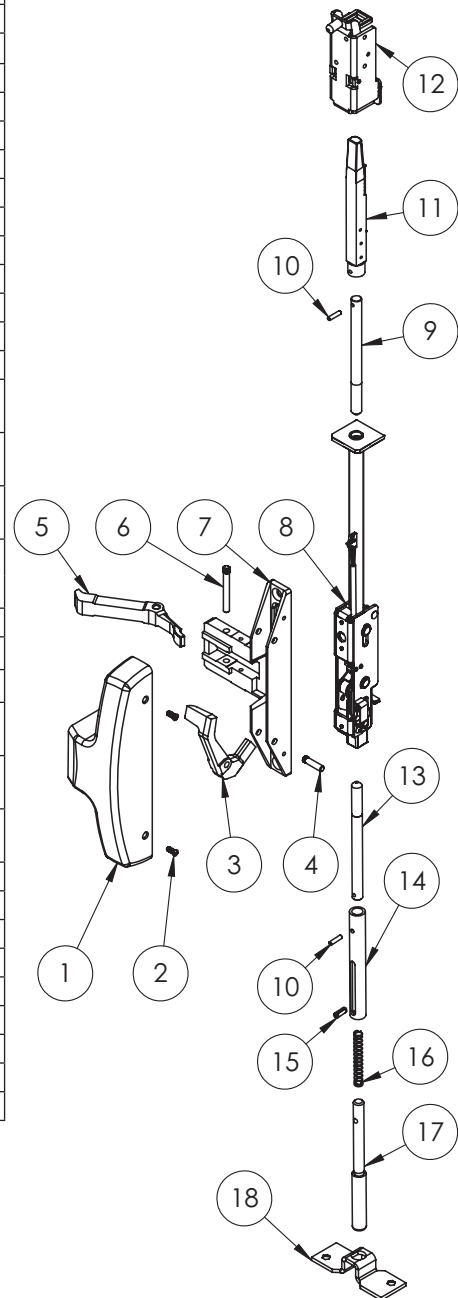
53-MD	8406	8443	8446	8473
MD-	8410	8413	8415	
53-MD-5CH-	8440	8474		
MD-5CH-				

Function	Assembly No.	Description	Sellable
53-MD-(All Functions) MD-(All Functions) 53-MD-5CH-(All Functions) MD-5CH-(All Functions)	68-5944	LHRB Non-Cladded	Yes
	68-5945	RHRB Non-Cladded	Yes
	68-5946	LHRB 1/2" Cladded	Yes
	68-5951	RHRB 1/2" Cladded	Yes
	68-6013	LHRB 1/4" Cladded	Yes
	68-6014	RHRB 1/4" Cladded	Yes

Item	Assy No.	Part No.	Description	Qty	Sellable
1	N/A	68-0496	Chassis Cover, Narrow*	1	Yes
2		68-3905	Screw Pack (B)*	1	Yes
3	See chart above	68-1644	LHRB Non-Cladded	1	Yes
		68-1645	RHRB Non-Cladded		Yes
		68-1646	LHRB 1/2" Cladded		Yes
		68-1647	RHRB 1/2" Cladded		Yes
		68-1649	LHRB 1/4" Cladded		Yes
		68-1650	RHRB 1/4" Cladded		Yes
		68-0479	Lift Lever Pivot Pin		1
4		68-0241	Lift Arm	1	Yes
5		68-0239	Pivot Pin (Lift Arm)	1	Yes
6		68-0486	Chassis	1	Yes
8	94-2008	N/A	Inner Chassis Assembly	1	Yes
	68-3854		53-Inner Chassis Assembly		Yes
	68-7936		5CH- Inner Chassis Assembly		Yes
	68-7789		5CH-53- Inner Chassis Assembly		Yes
9	(Std) MD660T (5CH) MD660T	(Std) MD660T (5CH) MD660T	Top Rod ^{1,2,3}	1	Yes
10			01-0696	Coiled Pin	2
11	(Std) MD691T (5CH) MD691T	68-4840 67-7938	Latch Bolt Assembly	1	Yes
			5CH Latch Bolt Assembly	1	Yes
12	68-5374	N/A	Top Case Assembly STD	1	Yes
	68-5375		Top Case Assembly 1/4" Cladded		Yes
	68-5376		Top Case Assembly 1/2" Cladded		Yes
13	(Std) 660B (5CH) 660B	94-0039	Bottom Rod ^{1,2,3}	1	Yes
				1	Yes
14	(Std) 691B (5CH) 691B	01-4389	Bolt Sleeve	1	Yes
15		97-0454	Roll Pin	1	Yes
16		94-0038	Spring (Bottom Bolt)	1	Yes
17		68-0888	Bottom Plate	1	Yes
		68-3676	Screw Pack*	1	Yes
	652	Strike Pack	1	Yes	

*Specify Finish

1. Specify AFF
2. Specify Opening Height
3. Specify Standard or 5CH prefix before order.



A8231L 04/21

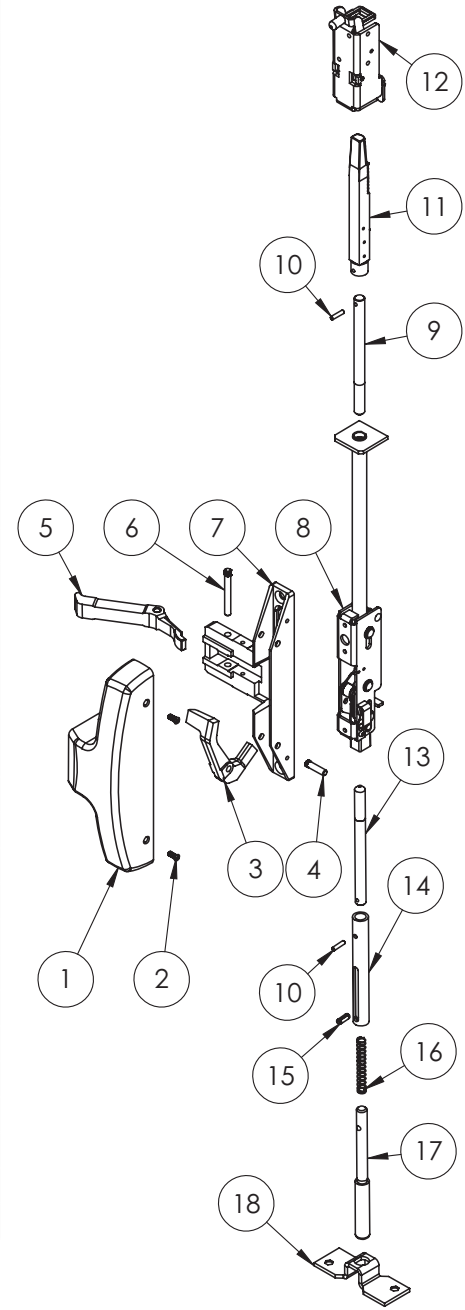
The warranty on SARGENT® products becomes void if the product is modified in any way, regardless of whether the modification causes or contributes to any alleged defect. If a SARGENT product is modified it may no longer meet industry certification and quality control standards applicable to the original product and is no longer a genuine SARGENT product.

Copyright © 2017-2021, SARGENT Manufacturing Company. All rights reserved. Reproduction in whole or in part without the express written permission of SARGENT Manufacturing Company is prohibited.

12-53-MD- 8406 8443 8446 8473
 12-MD- 8410 8413 8415 8440
 12-53-MD-5CH- 8474
 12-MD-5CH-

Function	Assembly No.	Description	Sellable
12-53-MD-(All Functions) 12-MD-(All Functions) 12-53-MD-5CH-(All Functions) 12-MD-5CH-(All Functions)	68-5944	LHRB Non-Cladded	Yes
	68-5945	RHRB Non-Cladded	Yes
	68-5946	LHRB 1/2" Cladded	Yes
	68-5951	RHRB 1/2" Cladded	Yes
	68-6013	LHRB 1/4" Cladded	Yes
	68-6014	RHRB 1/4" Cladded	Yes

Item	Assy No.	Part No.	Description	Qty	Sellable
1	N/A	68-0496	Chassis Cover, Narrow*	1	Yes
2		68-3905	Screw Pack (B)*	1	Yes
3	See chart above	68-1644	LHRB Non-Cladded	1	Yes
		68-1645	RHRB Non-Cladded		Yes
		68-1646	LHRB 1/2" Cladded		Yes
		68-1647	RHRB 1/2" Cladded		Yes
		68-1649	LHRB 1/4" Cladded		Yes
		68-1650	RHRB 1/4" Cladded		Yes
4		68-0479	Lift Lever Pivot Pin	1	Yes
5		68-0241	Lift Arm	1	Yes
6		68-0239	Pivot Pin (Lift Arm)	1	Yes
7		68-0486	Chassis	1	Yes
8	68-3627	N/A	12- Inner Chassis Assembly	1	Yes
	68-3855		12-53- Inner Chassis Assembly		Yes
	68-7935		5CH-12- Inner Chassis Assembly		Yes
	68-7790		5CH-12-53- Inner Chassis Assembly		Yes
9	(Std) MD660T	(Std) MD660T	Top Rod ^{1,2,3}	1	Yes
	(5CH) MD660T				
10	(Std) MD691T	01-0696	Coiled Pin	2	Yes
11	(5CH) MD691T	68-4840	Latch Bolt Assembly	1	Yes
		67-7938	5CH Latch Bolt Assembly	1	Yes
12	68-5374	67-7938	Top Case Assembly STD	1	Yes
	68-5375		Top Case Assembly 1/4" Cladded		Yes
	68-5376		Top Case Assembly 1/2" Cladded		Yes
13		(Std) 660B	Bottom Rod ^{1,2,3}	1	Yes
		(5CH) 660B		1	Yes
14	(Std) 691B (5CH) 691B	94-0039	Bolt Sleeve	1	Yes
15		01-4389	Roll Pin	1	Yes
16		97-0454	Spring (Bottom Bolt)	1	Yes
17		94-0038	Bottom Bolt	1	Yes
18		N/A	68-0888	Bottom Plate	1
	68-3676		Screw Pack*	1	Yes
	650		Top Strike Pack	1	Yes
	606		Bottom Strike Pack	1	Yes



*Specify Finish
 1. Specify AFF
 2. Specify Opening Height
 3. Specify Standard or 5CH prefix before order.

The warranty on SARGENT® products becomes void if the product is modified in any way, regardless of whether the modification causes or contributes to any alleged defect. If a SARGENT product is modified it may no longer meet industry certification and quality control standards applicable to the original product and is no longer a genuine SARGENT product.

Copyright © 2017-2021, SARGENT Manufacturing Company. All rights reserved. Reproduction in whole or in part without the express written permission of SARGENT Manufacturing Company is prohibited.

Experience a safer
 and more open world

53-NB-MD	8406	8443	8446	8473
NB-MD-	8410	8413	8415	8440
53-NB-MD-5CH-	8474			
NB-MD-5CH-				

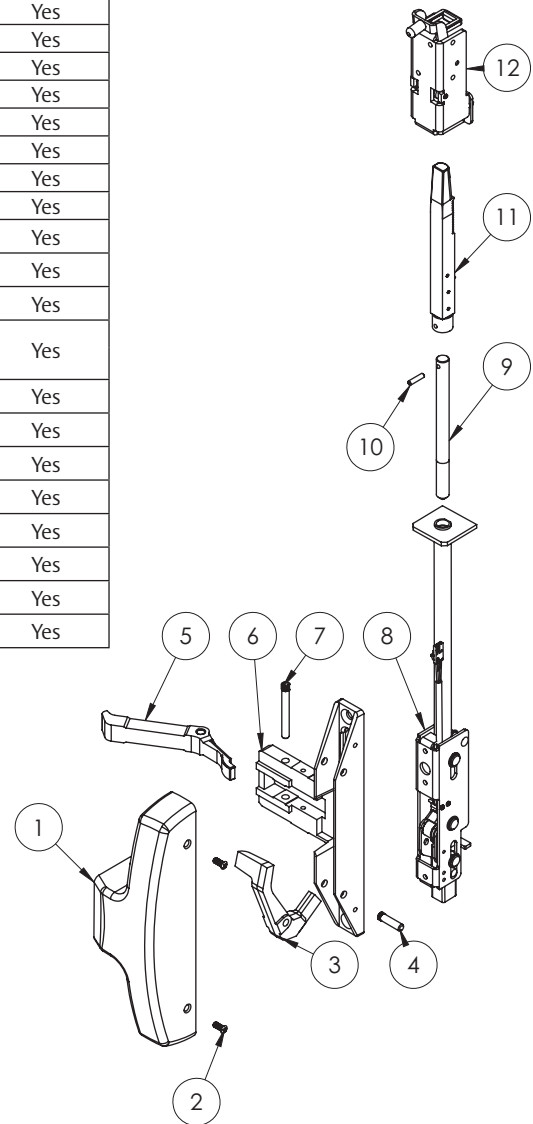
SARGENT
ASSA ABLOY

Function	Assembly No.	Description	Sellable
53-NB-MD-(All Functions) NB-MD-(All Functions) 53-NB-MD-5CH-(All Functions) NB-MD-5CH-(All Functions)	68-5944	LHRB Non-Cladded	Yes
	68-5945	RHRB Non-Cladded	Yes
	68-5946	LHRB 1/2" Cladded	Yes
	68-5951	RHRB 1/2" Cladded	Yes
	68-6013	LHRB 1/4" Cladded	Yes
	68-6014	RHRB 1/4" Cladded	Yes

Item	Assy No.	Part No.	Description	Qty	Sellable
1	N/A	68-0496	Chassis Cover, Narrow*	1	Yes
2		68-3905	Screw Pack (B)*	1	Yes
3	See chart above	68-1644	LHRB Non-Cladded	1	Yes
		68-1645	RHRB Non-Cladded		Yes
		68-1646	LHRB 1/2" Cladded		Yes
		68-1647	RHRB 1/2" Cladded		Yes
		68-1649	LHRB 1/4" Cladded		Yes
		68-1650	RHRB 1/4" Cladded		Yes
		68-0479	Lift Lever Pivot Pin		1
4		68-0241	Lift Arm	1	Yes
5		68-0486	Chassis	1	Yes
6		68-0239	Pivot Pin (Lift Arm)	1	Yes
8	94-2008	N/A	Inner Chassis Assembly	1	Yes
	68-3854		53-Inner Chassis Assembly		Yes
	68-7936		5CH- Inner Chassis Assembly		Yes
	68-7789		5CH-53- Inner Chassis Assembly		Yes
9		(Std) MD660T	Top Rod ^{1,2,3}	1	Yes
		(5CH) MD660T			
10	(Std) MD691T (5CH) MD691T	01-0696	Coiled Pin	2	Yes
11		68-4840	Latch Bolt Assembly	1	Yes
		67-7938	5CH Latch Bolt Assembly	1	Yes
12	68-5374	N/A	Top Case Assembly STD	1	Yes
	68-5375		Top Case Assembly 1/4" Cladded		Yes
	68-5376		Top Case Assembly 1/2" Cladded		Yes
13	N/A	68-3676	Screw Pack*	1	Yes
		650	Top Strike Pack	1	Yes

*Specify Finish

1. Specify AFF
2. Specify Opening Height
3. Specify Standard or 5CH prefix before order.



A8231.L 04/21

The warranty on SARGENT® products becomes void if the product is modified in any way, regardless of whether the modification causes or contributes to any alleged defect. If a SARGENT product is modified it may no longer meet industry certification and quality control standards applicable to the original product and is no longer a genuine SARGENT product.

Copyright © 2017-2021, SARGENT Manufacturing Company. All rights reserved. Reproduction in whole or in part without the express written permission of SARGENT Manufacturing Company is prohibited.

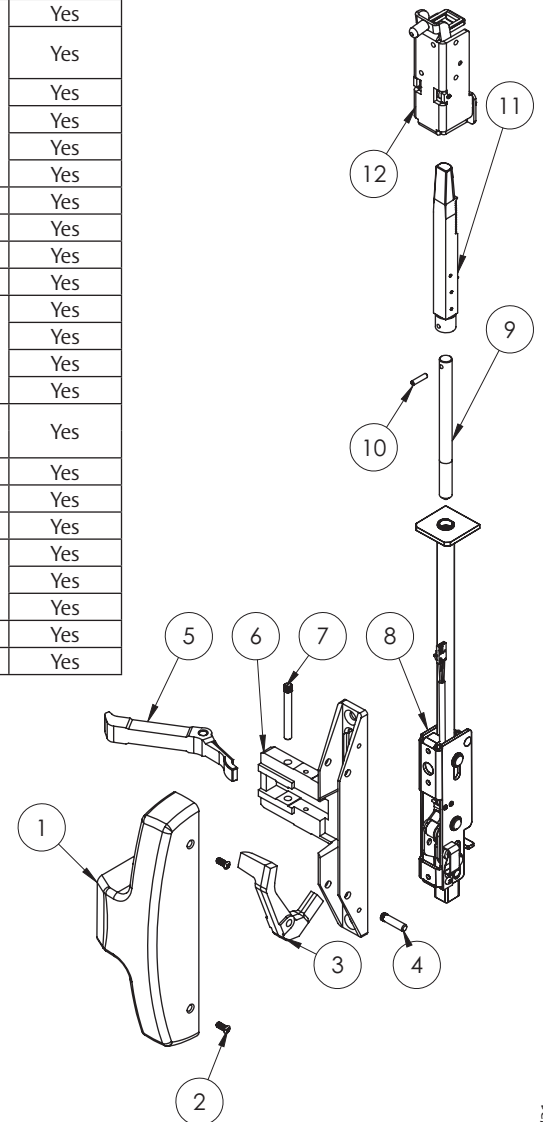
Experience a safer
and more open world

12-53-NB-MD- 8406 8410 8413 8415 8440
 12-NB-MD 8443 8446 8473 8474
 12-53-NB-MD-5CH-
 12-NB-MD-5CH-

Function	Assembly No.	Description	Sellable
12-53-NB-MD-(All Functions) 12-NB-MD-(All Functions) 12-53-NB-MD-5CH-(All Functions) 12-NB-MD-5CH-(All Functions)	68-5944	LHRB Non-Cladded	Yes
	68-5945	RHRB Non-Cladded	Yes
	68-5946	LHRB 1/2" Cladded	Yes
	68-5951	RHRB 1/2" Cladded	Yes
	68-6013	LHRB 1/4" Cladded	Yes
	68-6014	RHRB 1/4" Cladded	Yes

Item	Assy No.	Part No.	Description	Qty	Sellable
1	N/A	68-0496	Chassis Cover, Narrow*	1	Yes
2		68-3905	Screw Pack (B)*	1	Yes
3	See chart above	68-1644	LHRB Non-Cladded	1	Yes
		68-1645	RHRB Non-Cladded		Yes
		68-1646	LHRB 1/2" Cladded		Yes
		68-1647	RHRB 1/2" Cladded		Yes
		68-1649	LHRB 1/4" Cladded		Yes
		68-1650	RHRB 1/4" Cladded		Yes
		68-0479	Lift Lever Pivot Pin		1
4		68-0241	Lift Arm	1	Yes
5		68-0486	Chassis	1	Yes
6		68-0239	Pivot Pin (Lift Arm)	1	Yes
8	68-3627	N/A	12- Inner Chassis Assembly	1	Yes
	68-3855		12-53- Inner Chassis Assembly		Yes
	68-7935		5CH-12- Inner Chassis Assembly		Yes
	68-7790		5CH-12-53- Inner Chassis Assembly		Yes
9		(Std) MD660T (5CH) MD660T	Top Rod ^{1,2,3}	1	Yes
10	(Std) MD691T (5CH) MD691T	01-0696	Coiled Pin	2	Yes
11		68-4840	Latch Bolt Assembly	1	Yes
		67-7938	5CH Latch Bolt Assembly	1	Yes
		67-7938	5CH Latch Bolt Assembly		Yes
	68-5375 68-5376	67-7938	Top Case Assembly 1/4" Cladded	1	Yes
			Top Case Assembly 1/2" Cladded		Yes
13	N/A	68-3676	Screw Pack*	1	Yes
		650	Top Strike Pack	1	Yes

*Specify Finish
 1. Specify AFF
 2. Specify Opening Height
 3. Specify Standard or 5CH prefix before order.



Experience a safer
 and more open world

The warranty on SARGENT® products becomes void if the product is modified in any way, regardless of whether the modification causes or contributes to any alleged defect. If a SARGENT product is modified it may no longer meet industry certification and quality control standards applicable to the original product and is no longer a genuine SARGENT product.

Copyright © 2017-2021, SARGENT Manufacturing Company. All rights reserved. Reproduction in whole or in part without the express written permission of SARGENT Manufacturing Company is prohibited.

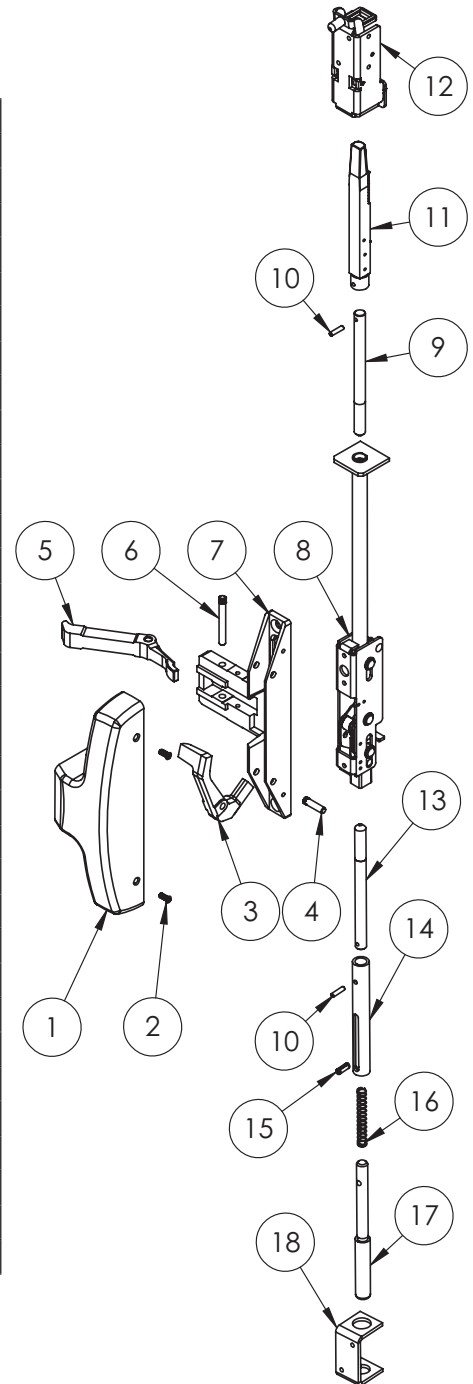
53-AD	8406	8474	8440	8410
AD	8413	8415	8443	8446
53-AD-5CH-	8473			
AD-5CH-				

SARGENT
ASSA ABLOY

Function	Assembly No.	Description	Sellable
53-AD-(All Functions) AD-(All Functions) 53-AD-5CH-(All Functions) AD-5CH-(All Functions)	68-5944	LHRB Non-Cladded	Yes
	68-5945	RHRB Non-Cladded	Yes
	68-5946	LHRB 1/2" Cladded	Yes
	68-5951	RHRB 1/2" Cladded	Yes
	68-6013	LHRB 1/4" Cladded	Yes
	68-6014	RHRB 1/4" Cladded	Yes

Item	Assy No.	Part No.	Description	Qty	Sellable
1	N/A	68-0496	Chassis Cover, Narrow*	1	Yes
2		68-3905	Screw Pack (B)*	1	Yes
3	See chart above	68-1644	LHRB Non-Cladded	1	Yes
		68-1645	RHRB Non-Cladded		Yes
		68-1646	LHRB 1/2" Cladded		Yes
		68-1647	RHRB 1/2" Cladded		Yes
		68-1649	LHRB 1/4" Cladded		Yes
		68-1650	RHRB 1/4" Cladded		Yes
4		68-0479	Lift Lever Pivot Pin	1	Yes
5		68-0241	Lift Arm	1	Yes
6		68-0239	Pivot Pin (Lift Arm)	1	Yes
7		68-0486	Chassis	1	Yes
8	94-2008	N/A	Inner Chassis Assembly	1	Yes
	68-3854		53- Inner Chassis Assembly		Yes
	68-7936		5CH- Inner Chassis Assembly		Yes
	68-7789		5CH-53- Inner Chassis Assembly		Yes
9		(Std) MD660T	Top Rod ^{1,2,3}	1	Yes
		(5CH) MD660T			
10	(Std) MD691T (5CH) MD691T	01-0696	Coiled Pin	2	Yes
11		68-4840	Latch Bolt Assembly	1	Yes
		67-7938	5CH Latch Bolt Assembly	1	Yes
12	68-5374	N/A	Top Case Assembly STD	1	Yes
	68-5375		Top Case Assembly 1/4" Cladded		Yes
	68-5376		Top Case Assembly 1/2" Cladded		Yes
13		(Std) 660B	Bottom Rod ^{1,2,3}	1	Yes
		(5CH) 660B		1	Yes
14	(Std) 691B (5CH) 691B	94-0039	Bolt Sleeve	1	Yes
15		01-4389	Roll Pin	1	Yes
16		97-0454	Spring (Bottom Bolt)	1	Yes
17		94-0038	Bottom Bolt	1	Yes
18		N/A	68-0037	Bottom Case	1
	68-3676		Screw Pack*	1	Yes
	640		Aluminum Door Strike Pack	1	Yes

*Specify Finish
1. Specify AFF
2. Specify Opening Height
3. Specify Standard or 5CH prefix before order.



A8231L 04/21

The warranty on SARGENT® products becomes void if the product is modified in any way, regardless of whether the modification causes or contributes to any alleged defect. If a SARGENT product is modified it may no longer meet industry certification and quality control standards applicable to the original product and is no longer a genuine SARGENT product.

Copyright © 2017-2021, SARGENT Manufacturing Company. All rights reserved. Reproduction in whole or in part without the express written permission of SARGENT Manufacturing Company is prohibited.

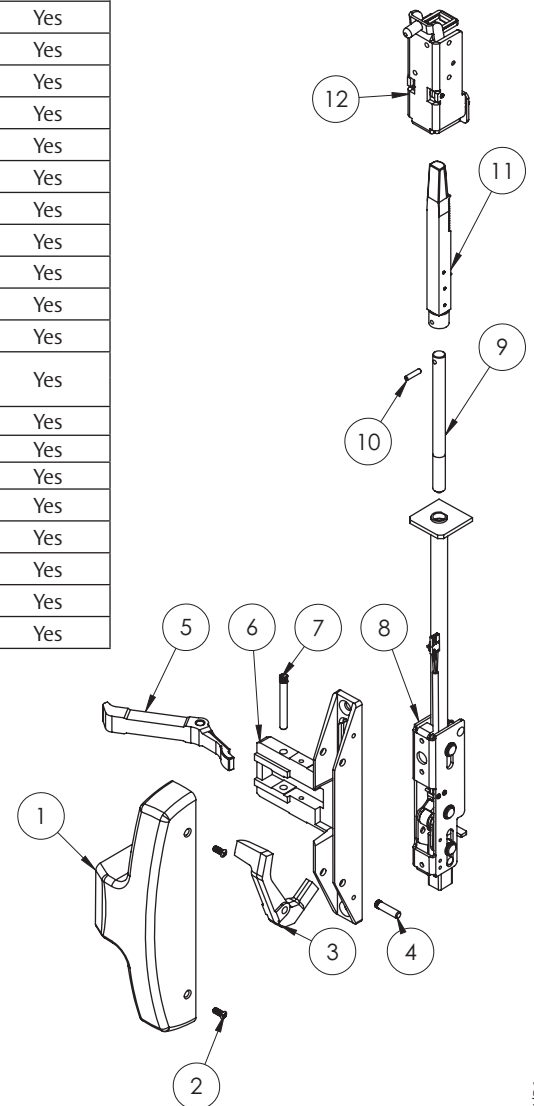
Experience a safer
and more open world

53-NB-AD 8406 8410 8413 8415 8440
 NB-AD- 8443 8446 8473 8474
 53-NB-AD-5CH-
 NB-AD-5CH-

Function	Assembly No.	Description	Sellable
53-NB-AD-(All Functions) NB-AD-(All Functions) 53-NB-AD-5CH-(All Functions) NB-AD-5CH-(All Functions)	68-5944	LHRB Non-Cladded	Yes
	68-5945	RHRB Non-Cladded	Yes
	68-5946	LHRB 1/2" Cladded	Yes
	68-5951	RHRB 1/2" Cladded	Yes
	68-6013	LHRB 1/4" Cladded	Yes
	68-6014	RHRB 1/4" Cladded	Yes

Item	Assy No.	Part No.	Description	Qty	Sellable
1	N/A	68-0496	Chassis Cover, Narrow*	1	Yes
2		68-3905	Screw Pack (B)*	1	Yes
3	See chart above	68-1644	LHRB Non-Cladded	1	Yes
		68-1645	RHRB Non-Cladded		Yes
		68-1646	LHRB 1/2" Cladded		Yes
		68-1647	RHRB 1/2" Cladded		Yes
		68-1649	LHRB 1/4" Cladded		Yes
		68-1650	RHRB 1/4" Cladded		Yes
4		68-0479	Lift Lever Pivot Pin	1	Yes
5		68-0241	Lift Arm	1	Yes
6		68-0486	Chassis	1	Yes
7		68-0239	Pivot Pin (Lift Arm)	1	Yes
8	94-2008	N/A	Inner Chassis Assembly	1	Yes
	68-3854		53- Inner Chassis Assembly		Yes
	68-7936		5CH- Inner Chassis Assembly		Yes
	68-7789		5CH-53- Inner Chassis Assembly		Yes
9		(Std) MD660T (5CH) MD660T	Top Rod ^{1,2,3}	1	Yes
10	(Std) MD691T (5CH) MD691T	01-0696	Coiled Pin	2	Yes
11		68-4840	Latch Bolt Assembly	1	Yes
		67-7938	5CH Latch Bolt Assembly	1	Yes
12	68-5374	N/A	Top Case Assembly STD	1	Yes
	68-5375		Top Case Assembly 1/4" Cladded		Yes
	68-5376		Top Case Assembly 1/2" Cladded		Yes
13	N/A	68-3676	Screw Pack*	1	Yes
		639	Aluminum Door Strike Pack	1	Yes

*Specify Finish
 1. Specify AFF
 2. Specify Opening Height
 3. Specify Standard or 5CH prefix before order.



Experience a safer
 and more open world

The warranty on SARGENT® products becomes void if the product is modified in any way, regardless of whether the modification causes or contributes to any alleged defect. If a SARGENT product is modified it may no longer meet industry certification and quality control standards applicable to the original product and is no longer a genuine SARGENT product.

Copyright © 2017-2021, SARGENT Manufacturing Company. All rights reserved. Reproduction in whole or in part without the express written permission of SARGENT Manufacturing Company is prohibited.

53-MD-	8606	8643	8646	8673
59-MD	8610	8613	8615	8674
MD-	8640			
53-MD-5CH-				
MD-5CH-				

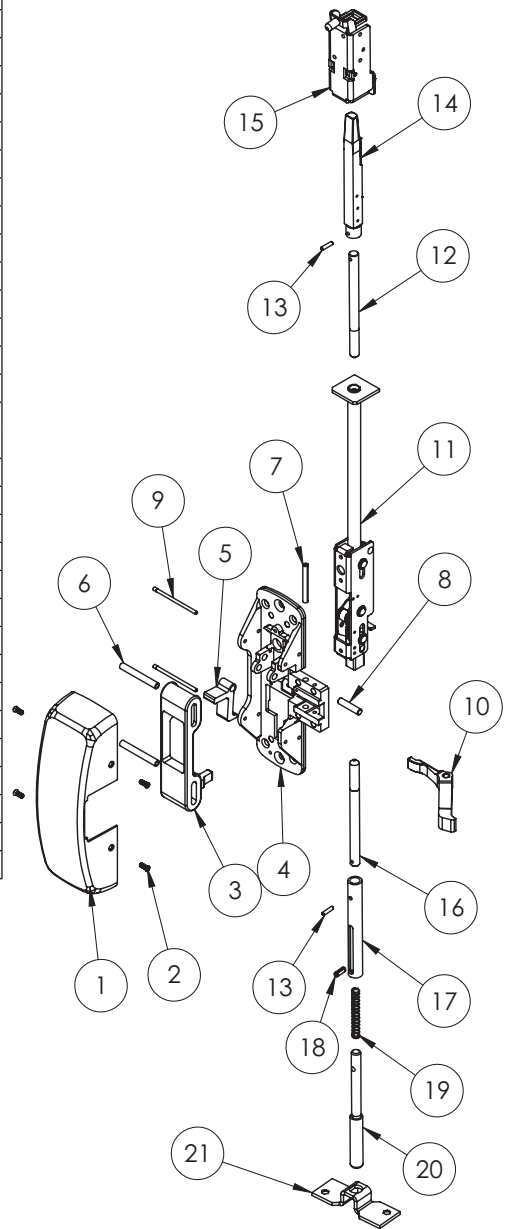
SARGENT
ASSA ABLOY

Function	Assembly No.	Description	Sellable
53-MD- 59-MDMD- 53-MD-5CH- MD-5CH- (All Functions)	68-5068	LHRB Chassis Assembly	Yes
	68-5069	RHRB Chassis Assembly	Yes
	68-5070	59- LHRB Chassis Assembly	Yes
	68-5071	59- RHRB Chassis Assembly	Yes

Item	Assy No.	Part No.	Description	Qty	Sellable		
1	N/A	68-0407	Chassis Cover*	1	Yes		
2		68-3905	Screw Pack (B)*	1	Yes		
3		68-0011	Main Slide	1	Yes		
		68-1815	59- Main Slide		No		
		68-1836	Main Slide Cup to 1/2" Cladding ⁴		Yes		
4		68-1505	Chassis (LH)	1	Yes		
		68-1506	Chassis (RH)		Yes		
5 6 7 8 9	See chart above	68-1503	Lift Lever	1	Yes		
		68-0012	Roller (Main Slide)	2	Yes		
		01-4512	Spirol Pin	1	Yes		
		68-0324	Lift Lever Pivot Pin	1	Yes		
		68-0323	Chassis Pin	2	Yes		
		68-0241	Lift Arm	1	Yes		
		68-1137	59- Lift Arm		Yes		
		11		94-2008	Inner Chassis Assembly	1	Yes
				68-3854	53- Inner Chassis Assembly ³		Yes
				68-7936	5CH- Inner Chassis Assembly		Yes
68-7789	5CH-53- Inner Chassis Assembly			Yes			
12	(Std) MD691T (5CH) MD691T	(Std) MD660T	Top Rod ^{1,2,5}	1	Yes		
		(5CH) MD660T					
13		01-0696	Coiled Pin	2	Yes		
14		68-4840	Latch Bolt Assembly	1	Yes		
		67-7938	5CH Latch Bolt Assembly	1	Yes		
15		68-5374	Top Case Assembly STD	1	Yes		
		68-5375	Top Case Assembly 1/4" Cladded		Yes		
		68-5376	Top Case Assembly 1/2" Cladded		Yes		
16	(Std) 691B (5CH) 691B	(Std) 660B	Bottom Rod ^{1,2,5}	1	Yes		
		(5CH) 660B		1	Yes		
17		94-0039	Bolt Sleeve	1	Yes		
18		01-4389	Roll Pin	1	Yes		
19		97-0454	Spring (Bottom Bolt)	1	Yes		
20		94-0038	Bottom Bolt	1	Yes		
21	N/A	68-0888	Bottom Plate	1	Yes		
		68-4389	Screw Pack (W)*	1	Yes		
		652	Strike Pack	1	Yes		

*Specify Finish

1. Specify AFF
2. Specify Opening Height
3. Also used with 59-
4. Cut the main slide finger as needed for panel thickness
5. Specify Standard or 5CH prefix before order.



A8231L 04/21

The warranty on SARGENT® products becomes void if the product is modified in any way, regardless of whether the modification causes or contributes to any alleged defect. If a SARGENT product is modified it may no longer meet industry certification and quality control standards applicable to the original product and is no longer a genuine SARGENT product.

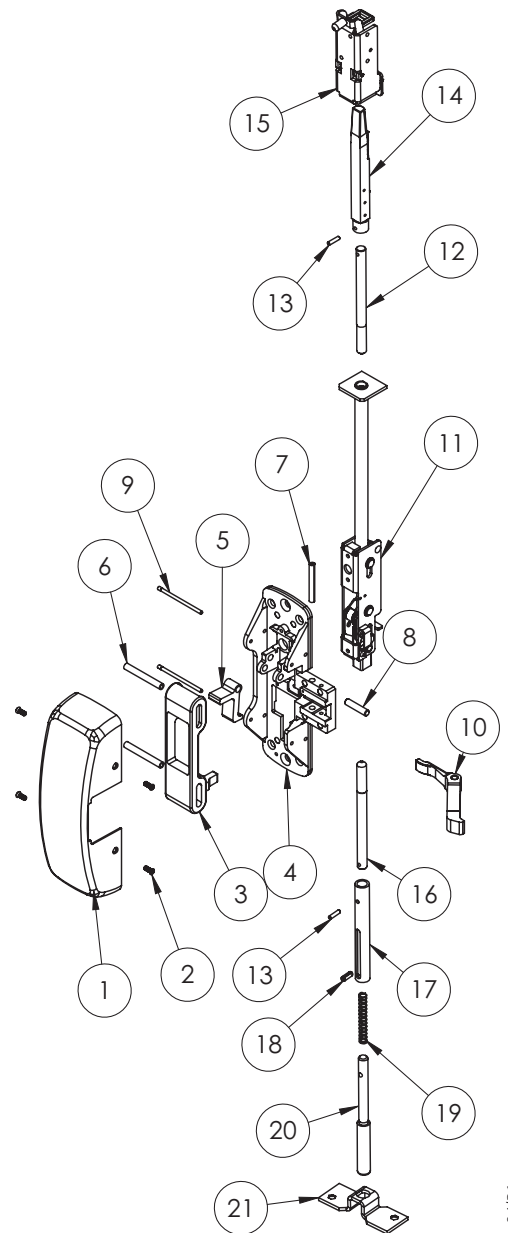
Copyright © 2017-2021, SARGENT Manufacturing Company. All rights reserved. Reproduction in whole or in part without the express written permission of SARGENT Manufacturing Company is prohibited.

12-53-MD-	8606	8643	8646	8673
12-59-MD-	8610	8613	8615	8674
12-MD-	8640			
12-53-MD-5CH-				
12-MD-5CH-				

Function	Assembly No.	Description	Sellable
12-53-MD-	68-5068	LHRB Chassis Assembly	Yes
12-59-MD-	68-5069	RHRB Chassis Assembly	Yes
12-MD-	68-5070	59- LHRB Chassis Assembly	Yes
12-53-MD-5CH-	68-5071	59- RHRB Chassis Assembly	Yes
12-MD-5CH-			
(All Functions)			

Item	Assy No.	Part No.	Description	Qty	Sellable	
1	N/A	68-0407	Chassis Cover*	1	Yes	
2		68-3905	Screw Pack (B)*	1	Yes	
3	See chart above	68-0011	Main Slide	1	Yes	
		68-1815	59- Main Slide		No	
		68-1836	Main Slide Cup to 1/2" Cladding ⁴		Yes	
4	See chart above	68-1505	Chassis (LH)	1	Yes	
		68-1506	Chassis (RH)		Yes	
5	See chart above	68-1503	Lift Lever	1	Yes	
6		68-0012	Roller (Main Slide)	2	Yes	
7		01-4512	Spirol Pin	1	Yes	
8		68-0324	Lift Lever Pivot Pin	1	Yes	
9		68-0323	Chassis Pin	2	Yes	
10		68-0241	Lift Arm	1	Yes	
		68-1137	59- Lift Arm		Yes	
11		68-3627	N/A	12- Inner Chassis Assembly	1	Yes
		68-3855		12- 53- Inner Chassis Assembly ³		Yes
		68-7935		5CH-12- Inner Chassis Assembly		Yes
	68-7790	5CH-12-53- Inner Chassis Assembly		Yes		
12	(Std) MD660T (5CH) MD660T	N/A	Top Rod ^{1,2,5}	1	Yes	
13			(Std) MD691T (5CH) MD691T	01-0696	Coiled Pin	2
14	N/A	68-4840	Latch Bolt Assembly	1	Yes	
		67-7938	5CH Latch Bolt Assembly	1	Yes	
15	68-5374	N/A	Top Case Assembly STD	1	Yes	
	68-5375		Top Case Assembly 1/4" Cladded		Yes	
	68-5376		Top Case Assembly 1/2" Cladded		Yes	
16	(Std) 660B (5CH) 660B	N/A	Bottom Rod ^{1,2,5}	1	Yes	
	(Std) 691B (5CH) 691B		94-0039	Bolt Sleeve	1	Yes
18	N/A	01-4389	Roll Pin	1	Yes	
19		97-0454	Spring (Bottom Bolt)	1	Yes	
20		94-0038	Bottom Bolt	1	Yes	
21		68-0888	N/A	Bottom Plate	1	Yes
	68-4389	Screw Pack(W)*		1	Yes	
	650	Top Strike Pack		1	Yes	
	606	Bottom Strike Pack			Yes	

- *Specify Finish
1. Specify AFF
2. Specify Opening Height
3. Also used with 12-59-
4. Cut the main slide finger as needed for panel thickness
5. Specify Standard or 5CH prefix before order



Experience a safer
and more open world

The warranty on SARGENT® products becomes void if the product is modified in any way, regardless of whether the modification causes or contributes to any alleged defect. If a SARGENT product is modified it may no longer meet industry certification and quality control standards applicable to the original product and is no longer a genuine SARGENT product.

Copyright © 2017-2021, SARGENT Manufacturing Company. All rights reserved. Reproduction in whole or in part without the express written permission of SARGENT Manufacturing Company is prohibited.

53-NB-MD-	8606	8610	8613	8615
59-NB-MD-	8640	8643	8646	8673
NB-MD-	8674			
53-NB-MD-5CH-				
NB-MD-5CH-				

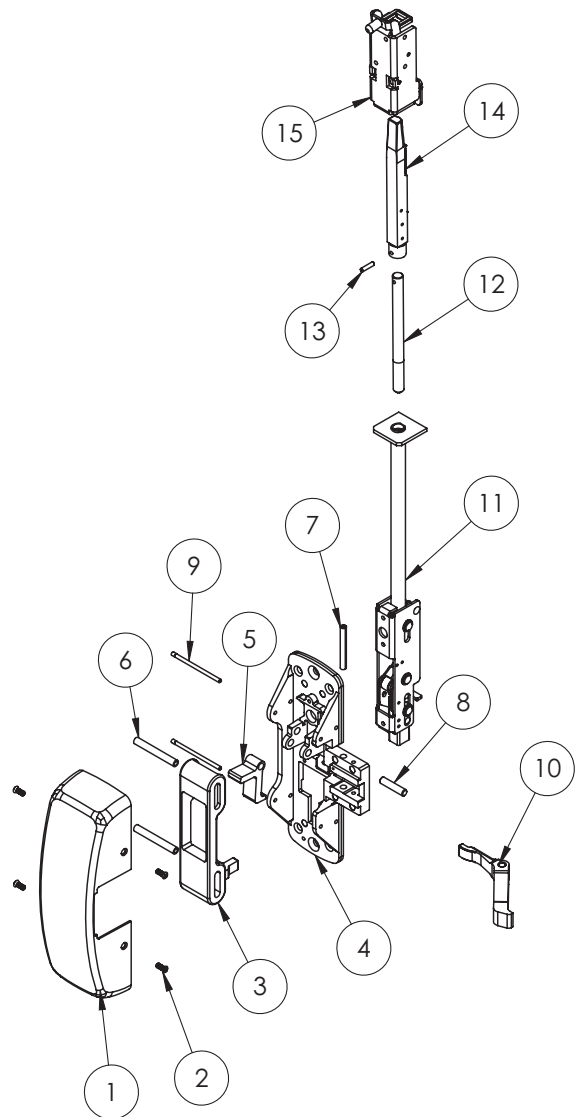
SARGENT
ASSA ABLOY

Function	Assembly No.	Description	Sellable
53-NB-MD-	68-5068	LHRB Chassis Assembly	Yes
59-NB-MD-	68-5069	RHRB Chassis Assembly	Yes
NB-MD-	68-5070	59- LHRB Chassis Assembly	Yes
53-NB-MD-5CH- NB-MD-5CH- (All Functions)	68-5071	59- RHRB Chassis Assembly	Yes

Item	Assy No.	Part No.	Description	Qty	Sellable
1	N/A	68-0407	Chassis Cover*	1	Yes
2		68-3905	Screw Pack (B)*	1	Yes
3	See chart above	68-0011	Main Slide	1	Yes
		68-1815	59- Main Slide		No
		68-1836	Main Slide Cup to 1/2" Cladding ⁴		Yes
4	See chart above	68-1505	Chassis (LH)	1	Yes
		68-1506	Chassis (RH)		Yes
5	See chart above	68-1503	Lift Lever	1	Yes
6		68-0012	Roller (Main Slide)	2	Yes
7		01-4512	Spirol Pin	1	Yes
8		68-0324	Lift Lever Pivot Pin	1	Yes
9		68-0323	Chassis Pin	2	Yes
		68-0241	Lift Arm		
10		68-1137	59- Lift Arm	1	Yes
		94-2008	N/A	Inner Chassis Assembly	1
68-3854		53- Inner Chassis Assembly ³		Yes	
68-7936		5CH- Inner Chassis Assembly		Yes	
68-7789	5CH-53- Inner Chassis Assembly	Yes			
12	(Std) MD660T (5CH) MD660T	(Std) MD660T	Top Rod ^{1,2,5}	1	Yes
		(5CH) MD660T			
13	(Std) MD691T (5CH) MD691T	01-0696	Coiled Pin	2	Yes
14	N/A	68-4840	Latch Bolt Assembly	1	Yes
		67-7938	5CH Latch Bolt Assembly	1	Yes
15	N/A	68-5374	Top Case Assembly STD	1	Yes
		68-5375	Top Case Assembly 1/4" Cladded		Yes
		68-5376	Top Case Assembly 1/2" Cladded		Yes
N/A	N/A	68-4389	Screw Pack(W)*	1	Yes
		650	Top Strike Pack	1	Yes

*Specify Finish

1. Specify AFF
2. Specify Opening Height
3. Also used with 59-
4. Cut the main slide finger as needed for panel thickness
5. Specify Standard or 5CH prefix before order



A8231.L 04/21

The warranty on SARGENT® products becomes void if the product is modified in any way, regardless of whether the modification causes or contributes to any alleged defect. If a SARGENT product is modified it may no longer meet industry certification and quality control standards applicable to the original product and is no longer a genuine SARGENT product.

Copyright © 2017-2021, SARGENT Manufacturing Company. All rights reserved. Reproduction in whole or in part without the express written permission of SARGENT Manufacturing Company is prohibited.

Experience a safer
and more open world

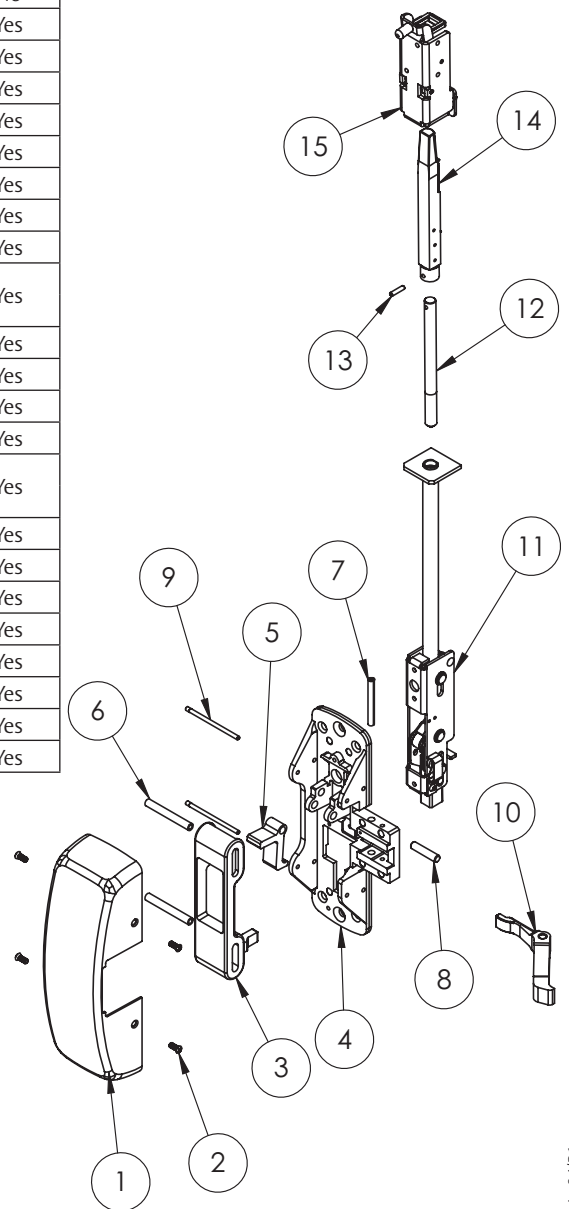
12-53-NB-MD- 8606 8610 8613 8615
 12-59-NB-MD- 8640 8643 8646 8673
 12-NB-MD- 8674
 12-53-NB-MD-5CH-
 12-NB-MD-5CH-

Function	Assembly No.	Description	Sellable
12-53-NB-MD-	68-5068	LHRB Chassis Assembly	Yes
12-59-NB-MD-	68-5069	RHRB Chassis Assembly	Yes
12-NB-MD-	68-5070	59- LHRB Chassis Assembly	Yes
12-53-NB-MD-5CH- 12-NB-MD-5CH- (All Functions)	68-5071	59- RHRB Chassis Assembly	Yes

Item	Assy No.	Part No.	Description	Qty	Sellable	
1	N/A	68-0407	Chassis Cover*	1	Yes	
2		68-3905	Screw Pack (B)*	1	Yes	
3		68-0011	Main Slide	1	Yes	
		68-1815	59- Main Slide		No	
		68-1836	Main Slide Cup to 1/2" Cladding ⁴		Yes	
4		68-1505	Chassis (LH)	1	Yes	
		68-1506	Chassis (RH)		Yes	
5	See chart above	68-1503	Lift Lever	1	Yes	
6		68-0012	Roller (Main Slide)	2	Yes	
7		01-4512	Spirol Pin	1	Yes	
8		68-0324	Lift Lever Pivot Pin	1	Yes	
9		68-0323	Chassis Pin	2	Yes	
10		68-0241	Lift Arm	1	Yes	
		68-1137	59- Lift Arm			
11		68-3627	N/A	12- Inner Chassis Assembly	1	Yes
		68-3855		12- 53- Inner Chassis Assembly ³		Yes
		68-7935		5CH-12- Inner Chassis Assembly		Yes
	68-7790	5CH-12-53- Inner Chassis Assembly		Yes		
12		(Std) MD660T (5CH) MD660T	Top Rod ^{1,2,5}	1	Yes	
13	(Std) MD691T (5CH) MD691T	01-0696	Coiled Pin	2	Yes	
14		68-4840	Latch Bolt Assembly	1	Yes	
		67-7938	5CH Latch Bolt Assembly	1	Yes	
15	68-5374	N/A	Top Case Assembly STD	1	Yes	
		68-5375	Top Case Assembly 1/4" Cladded		Yes	
		68-5376	Top Case Assembly 1/2" Cladded		Yes	
	N/A	68-4389	Screw Pack(W)*	1	Yes	
		650	Top Strike Pack	1	Yes	

*Specify Finish

1. Specify AFF
2. Specify Opening Height
3. Also used with 12-59-
4. Cut the main slide finger as needed for panel thickness
5. Specify Standard or 5CH prefix before order



53-WD-	8606	8610	8613	8615
59-WD	8640	8643	8646	8673
WD-	8674			
53-WD-5CH-				
WD-5CH-				

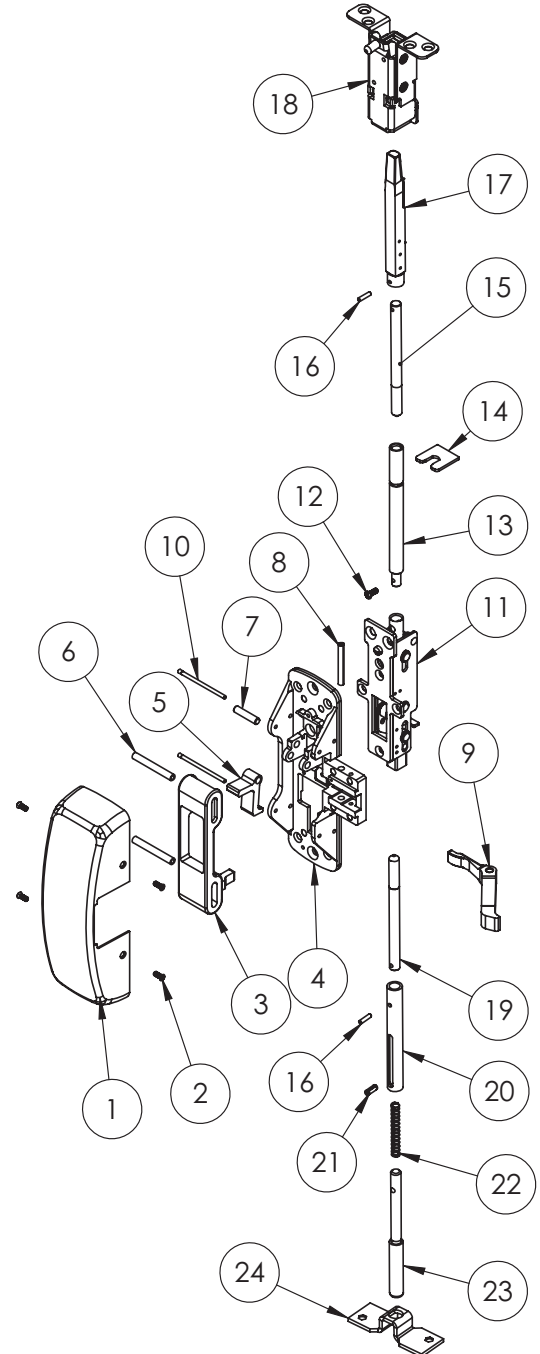
SARGENT®
ASSA ABLOY

Function	Assembly No.	Description	Sellable
53-WD- 59-WD- WD- 53-WD-5CH- WD-5CH- (All Functions)	68-5068	LHRB Chassis Assembly	Yes
	68-5069	RHRB Chassis Assembly	Yes
	68-5070	59- LHRB Chassis Assembly	Yes
	68-5071	59- RHRB Chassis Assembly	Yes
	(Std) WD691T (5CH) WD660T	Top Rod and Bolt Kit ⁵	Yes
	WDA691T ⁴	Top Rod and Bolt Kit with Aux Kit (Parts 12, 13, 14)	Yes

Item	Assy No.	Part No.	Description	Qty	Sellable	
1	N/A	68-0407	Chassis Cover*	1	Yes	
2		68-3905	Screw Pack (B)*	1	Yes	
3	See chart above	68-0011	Main Slide	1	Yes	
		68-1815	59- Main Slide		No	
4		68-1505	Chassis (LH)	1	Yes	
		68-1506	Chassis (RH)		Yes	
5		68-1503	Lift Lever	1	Yes	
6		68-0012	Roller (Main Slide)	2	Yes	
7		68-0324	Lift Lever Pivot Pin	1	Yes	
8		01-4512	Spirol Pin	1	Yes	
9		68-0241	Lift Arm	1	Yes	
		68-1137	59- Lift Arm		Yes	
10		68-0323	Chassis Pin	2	Yes	
11	68-3580	N/A	Inner Chassis Assembly	1	Yes	
	68-3859		53- Inner Chassis Assembly ³	1	Yes	
	68-7785		5CH- Inner Chassis Assembly	1	Yes	
	68-7786		5CH-53- Inner Chassis Assembly	1	Yes	
12	See chart above	01-1137	Screw #8-32 x 7/16 4	1	Yes	
13		68-0918	Extension Rod ⁴	1	Yes	
14		68-0917	Auxillary Control Plate ⁴	1	Yes	
15		(Std) WD660T (5CH) WD660T	Top Rod ^{1,2,5}	1	Yes	
16		01-0696	Coiled Pin	2	Yes	
17		68-4840	Latch Bolt Assembly	1	Yes	
		67-7938	5CH Latch Bolt Assembly	1	Yes	
18		68-3522	N/A	Top Case and Bracket Assembly STD	1	Yes
		68-3523		Top Case and Bracket Assembly 1/4" Cladded		Yes
		68-3524		Top Case and Bracket Assembly 1/2" Cladded		Yes
19	(Std) 691B (5CH) 691B	(Std) 660B (5CH) 660B	Bottom Rod ^{1,2,3}	1	Yes	
20		94-0039	Bolt Sleeve	1	Yes	
21		01-4389	Roll Pin	1	Yes	
22		97-0454	Spring (Bottom Bolt)	1	Yes	
23		94-0038	Bottom Bolt	1	Yes	
24	N/A	68-0888	Bottom Plate	1	Yes	
		68-4389	Screw Pack(W)*	1	Yes	
		652	Strike Pack	1	Yes	

*Specify Finish

1. Specify AFF
2. Specify Opening Height
3. Also used with 59-
4. Only when used w/ Aux Control
5. Specify Standard or 5CH prefix before order



The warranty on SARGENT® products becomes void if the product is modified in any way, regardless of whether the modification causes or contributes to any alleged defect. If a SARGENT product is modified it may no longer meet industry certification and quality control standards applicable to the original product and is no longer a genuine SARGENT product.

Copyright © 2017-2021, SARGENT Manufacturing Company. All rights reserved. Reproduction in whole or in part without the express written permission of SARGENT Manufacturing Company is prohibited.

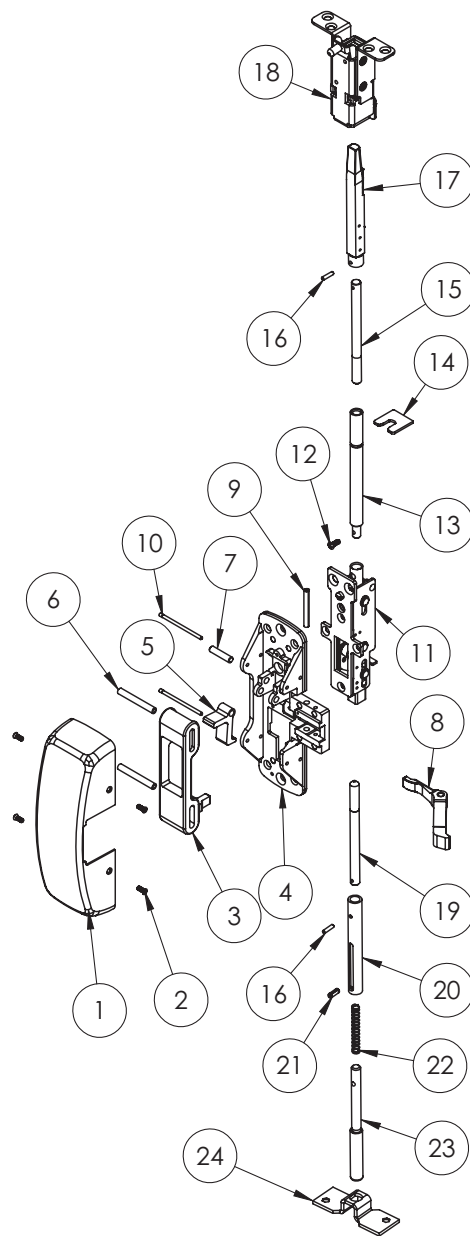
12-53-WD-	8606	8610	8613	8615
12-59-WD-	8640	8643	8646	8673
12-WD-	8674			
12-53-WD-5CH-				
12-WD-5CH-				

Function	Assembly No.	Description	Sellable
12-53-WD- 12-59-WD- 12-WD- 12-53-WD-5CH- 12-WD-5CH- (All Functions)	68-5068	LHRB Chassis Assembly	Yes
	68-5069	RHRB Chassis Assembly	Yes
	68-5070	59- LHRB Chassis Assembly	Yes
	68-5071	59- RHRB Chassis Assembly	Yes
	(Std) WD691T (5CH) WD691T	Top Rod and Bolt Kit ⁵	Yes
	WDA691T ⁴	Top Rod and Bolt Kit with Aux Kit (Parts 12, 13, 14)	Yes

Item	Assy No.	Part No.	Description	Qty	Sellable	
1		68-0407	Chassis Cover*	1	Yes	
2	N/A	68-3905	Screw Pack (B)*	1	Yes	
3		68-0011	Main Slide	1	Yes	
		68-1815	59- Main Slide		No	
4		68-1505	Chassis (LH)	1	Yes	
		68-1506	Chassis (RH)		Yes	
5	See chart above	68-1503	Lift Lever	1	Yes	
6		68-0012	Roller (Main Slide)	2	Yes	
7		68-0324	Lift Lever Pivot Pin	1	Yes	
8		68-0241	Lift Arm	1	Yes	
		68-1137	59- Lift Arm		Yes	
9		01-4512	Spirol Pin	1	Yes	
10		68-0323	Chassis Pin	2	Yes	
11		68-3580	N/A	12-Inner Chassis Assembly	1	Yes
		68-3859		12-53- Inner Chassis Assembly ³	1	Yes
		68-7785		5CH- Inner Chassis Assembly	1	Yes
	68-7786	5CH-53- Inner Chassis Assembly		1	Yes	
12	01-1137	Screw #8-32 x 7/16 4	1	Yes		
13	68-0918	Extension Rod ⁴	1	Yes		
14	68-0917	Auxillary Control Plate ⁴	1	Yes		
15	See chart above	(Std) WD660T	Top Rod ^{1,2,5}	1	Yes	
		(5CH) WD660T				
16	01-0696	Coiled Pin	2	Yes		
17		68-4840	Latch Bolt Assembly	1	Yes	
		67-7938	5CH Latch Bolt Assembly	1	Yes	
18	68-3522	N/A	Top Case and Bracket Assembly STD	1	Yes	
	68-3523		Top Case and Bracket Assembly 1/4" Cladded		Yes	
	68-3524		Top Case and Bracket Assembly 1/2" Cladded		Yes	
19		(Std) 660B	Bottom Rod ^{1,2,3}	1	Yes	
		(5CH) 660B			Yes	
20	(Std) 691B	94-0039	Bolt Sleeve	1	Yes	
21	(5CH) 691B	01-4389	Roll Pin	1	Yes	
		97-0454	Spring (Bottom Bolt)	1	Yes	
22		94-0038	Bottom Bolt	1	Yes	
23		68-0888	Bottom Plate	1	Yes	
		68-4389	Screw Pack(W)*	1	Yes	
		650	Top Strike Pack	1	Yes	
		606	Bottom Strike Pack	1	Yes	

*Specify Finish

1. Specify AFF
2. Specify Opening Height
3. Also used with 12-59-
4. Only when used w/ Aux Control
5. Specify Standard or 5CH prefix before order



Experience a safer
and more open world

The warranty on SARGENT® products becomes void if the product is modified in any way, regardless of whether the modification causes or contributes to any alleged defect. If a SARGENT product is modified it may no longer meet industry certification and quality control standards applicable to the original product and is no longer a genuine SARGENT product.

Copyright © 2017-2021, SARGENT Manufacturing Company. All rights reserved. Reproduction in whole or in part without the express written permission of SARGENT Manufacturing Company is prohibited.

53-NB-WD-	8606	8610	8613	8615
59-NB-WD-	8640	8643	8646	8673
NB-WD-	8674			
53-NB-WD-5CH				
NB-WD-5CH-				

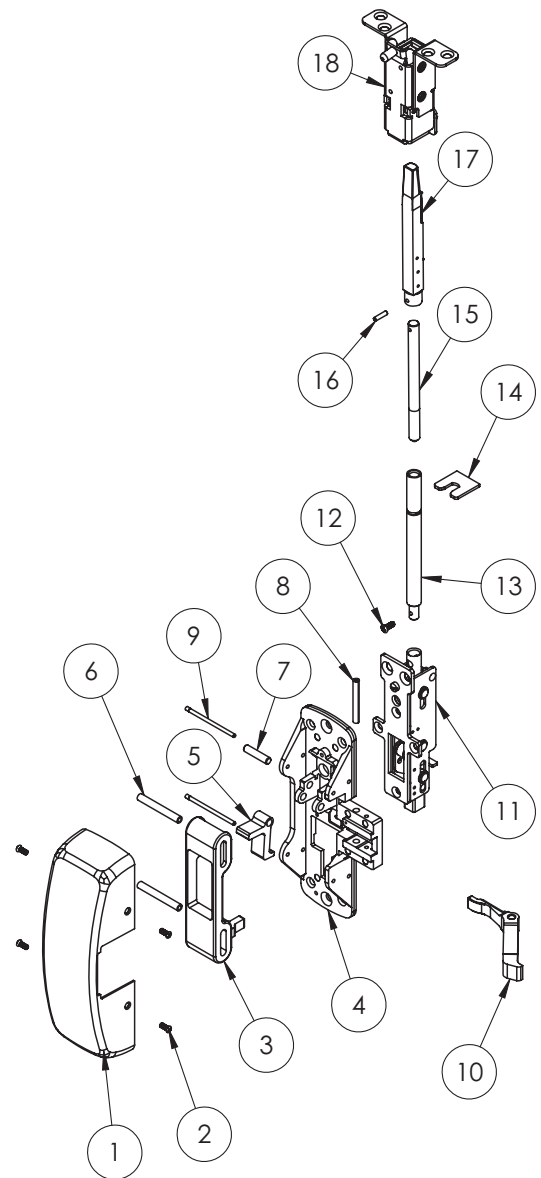
SARGENT
ASSA ABLOY

Function	Assembly No.	Description	Sellable
53-NB-WD- 59-NB-WD NB-WD- 53-NB-WD-5CH- NB-WD-5CH- (All Functions)	68-5068	LHRB Chassis Assembly	Yes
	68-5069	RHRB Chassis Assembly	Yes
	68-5070	59- LHRB Chassis Assembly	Yes
	68-5071	59- RHRB Chassis Assembly	Yes
	(Std) WD691T (5CH) WD691T	Top Rod and Bolt Kit ⁵	Yes
	WDA691T ⁴	Top Rod and Bolt Kit with Aux Kit (Parts 12, 13, 14)	Yes

Item	Assy No.	Part No.	Description	Qty	Sellable	
1	N/A	68-0407	Chassis Cover*	1	Yes	
2		68-3905	Screw Pack (B)*	1	Yes	
3	See chart above	68-0011	Main Slide	1	Yes	
		68-1815	59- Main Slide		No	
4		68-1505	Chassis (LH)	1	Yes	
		68-1506	Chassis (RH)		Yes	
5		68-1503	Lift Lever	1	Yes	
6		68-0012	Roller (Main Slide)	2	Yes	
7		68-0324	Lift Lever Pivot Pin	1	Yes	
8		01-4512	Spirol Pin	1	Yes	
10		68-0241	Lift Arm	1	Yes	
		68-1137	59- Lift Arm		Yes	
9		68-0012	Roller (Main Slide)	1	Yes	
11		68-3580	N/A	Inner Chassis Assembly	1	Yes
		68-3859		53- Inner Chassis Assembly ³		Yes
		68-7785		5CH- Inner Chassis Assembly		Yes
	68-7786	5CH-53- Inner Chassis Assembly		Yes		
12	See chart above	01-1137	Screw #8-32 x 7/16 4	1	Yes	
13		68-0918	Extension Rod ⁴	1	Yes	
14		68-0917	Auxillary Control Plate ⁴	1	Yes	
15		(Std) WD660T (5CH) WD660T	Top Rod ^{1,2,5}	1	Yes	
16		01-0696	Coiled Pin	2	Yes	
17		68-4840	Latch Bolt Assembly	1	Yes	
		67-7938	5CH Latch Bolt Assembly	1	Yes	
18		68-3522	N/A	Top Case and Bracket Assembly STD	1	Yes
		68-3523		Top Case and Bracket Assembly 1/4" Cladded		Yes
		68-3524		Top Case and Bracket Assembly 1/2" Cladded		Yes
19	N/A	68-4389	Screw Pack(W)*	1	Yes	
		650	Top Strike Pack	1	Yes	

*Specify Finish

1. Specify AFF
2. Specify Opening Height
3. Also used with 59-
4. Only when used w/ Aux Control
5. Specify Standard or 5CH prefix before order



A8231L 04/21

The warranty on SARGENT® products becomes void if the product is modified in any way, regardless of whether the modification causes or contributes to any alleged defect. If a SARGENT product is modified it may no longer meet industry certification and quality control standards applicable to the original product and is no longer a genuine SARGENT product.

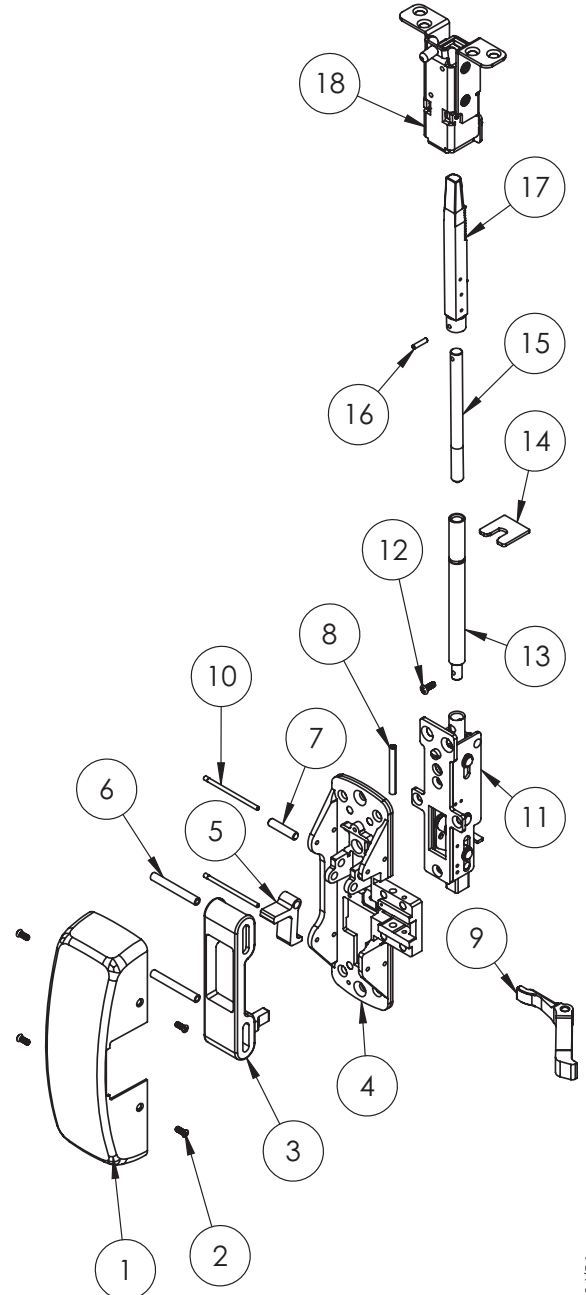
12-53-NB-WD- 8606 8610 8613 8615
 12-59-NB-WD- 8640 8643 8646 8673
 12-NB-WD- 8674
 12-53-NB-WD-5CH-
 12-NB-WD-5CH-

Function	Assembly No.	Description	Sellable
12-53-NB-WD- 12-59-NB-WD- 12-NB-WD- 12-53-NB-WD-5CH- 12-NB-WD-5CH- (All Functions)	68-5068	LHRB Chassis Assembly	Yes
	68-5069	RHRB Chassis Assembly	Yes
	68-5070	59- LHRB Chassis Assembly	Yes
	68-5071	59- RHRB Chassis Assembly	Yes
	(Std) WD691T	Top Rod and Bolt Kit ⁵	Yes
	(5CH) WD691T		Yes
	WDA691T (4)	Top Rod and Bolt Kit with Aux Kit (Parts 12, 13, 14)	Yes

Item	Assy No.	Part No.	Description	Qty	Sellable
1	N/A	68-0407	Chassis Cover*	1	Yes
2		68-3905	Screw Pack (B)*	1	Yes
3	See chart above	68-0011	Main Slide	1	Yes
		68-1815	59- Main Slide		No
4		68-1505	Chassis (LH)	1	Yes
		68-1506	Chassis (RH)		Yes
5		68-1503	Lift Lever	1	Yes
6		68-0112	Roller (Main Slide)	2	Yes
7		68-0324	Lift Lever Pivot Pin	1	Yes
8		01-4512	Spirol Pin	1	Yes
9		68-0241	Lift Arm	1	Yes
		68-1137	59- Lift Arm		
10	68-0323	Chassis Pin	2	Yes	
11	68-3580	N/A	12-Inner Chassis Assembly	1	Yes
	68-3859		12-53- Inner Chassis Assembly ³		Yes
	68-7785		5CH- Inner Chassis Assembly		Yes
	68-7786		5CH-53- Inner Chassis Assembly		Yes
12	See chart above	01-1137	Screw #8-32 x 7/16 4	1	Yes
13		68-0918	Extension Rod ⁴	1	Yes
14		68-0917	Auxillary Control Plate ⁴	1	Yes
15		(Std) WD660T (5CH) WD660T	Top Rod ^{1,2,5}	1	Yes
16	01-0696	Coiled Pin	2	Yes	
17	68-4840	Latch Bolt Assembly	1	Yes	
	67-7938	5CH Latch Bolt Assembly	1	Yes	
18	68-3522	N/A	Top Case and Bracket Assembly STD	1	Yes
	68-3523		Top Case and Bracket Assembly 1/4" Cladded		Yes
	68-3524		Top Case and Bracket Assembly 1/2" Cladded		Yes
N/A	68-4389	Screw Pack(W)*	1	Yes	
	650	Top Strike Pack	1	Yes	

*Specify Finish

1. Specify AFF
2. Specify Opening Height
3. Also used with 12-59-
4. Only when used w/ Aux Control
5. Specify Standard or 5CH prefix before order



Experience a safer
 and more open world

The warranty on SARGENT® products becomes void if the product is modified in any way, regardless of whether the modification causes or contributes to any alleged defect. If a SARGENT product is modified it may no longer meet industry certification and quality control standards applicable to the original product and is no longer a genuine SARGENT product.

Copyright © 2017-2021, SARGENT Manufacturing Company. All rights reserved. Reproduction in whole or in part without the express written permission of SARGENT Manufacturing Company is prohibited.

53-AD-	8606	8610	8613	8615
59-AD	8640	8643	8646	8673
AD-	8674			
53-AD-5CH-				
AD-5CH-				

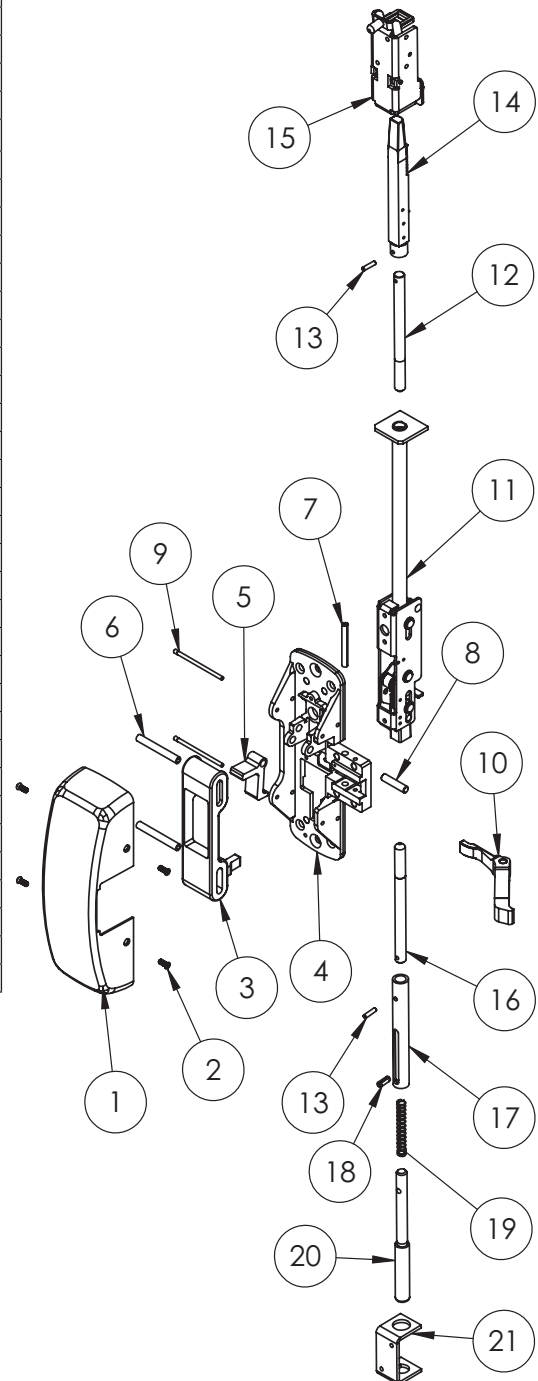
SARGENT®
ASSA ABLOY

Function	Assembly No.	Description	Sellable
53-AD-	68-5068	LHRB Chassis Assembly	Yes
59-AD-	68-5069	RHRB Chassis Assembly	Yes
AD-	68-5070	59- LHRB Chassis Assembly	Yes
53-AD-5CH- AD-5CH- (All Functions)	68-5071	59- RHRB Chassis Assembly	Yes

Item	Assy No.	Part No.	Description	Qty	Sellable	
1		68-0407	Chassis Cover*	1	Yes	
2	N/A	68-3905	Screw Pack (B)*	1	Yes	
3		68-0011	Main Slide	1	Yes	
		68-1815	59- Main Slide		No	
		68-1836	Main Slide Cup to 1/2" Cladding ⁴		Yes	
4		68-1505	Chassis (LH)	1	Yes	
		68-1506	Chassis (RH)		Yes	
5	See chart above	68-1503	Lift Lever	1	Yes	
6		68-0012	Roller (Main Slide)	2	Yes	
7		01-4512	Spirol Pin	1	Yes	
8		68-0324	Lift Lever Pivot Pin	1	Yes	
9		68-0323	Chassis Pin	2	Yes	
		68-0241	Lift Arm			
10		68-1137	59- Lift Arm	1	Yes	
11		94-2008	N/A	Inner Chassis Assembly	1	Yes
		68-3854		53- Inner Chassis Assembly ³		Yes
	68-7936	5CH- Inner Chassis Assembly		Yes		
	68-7789	5CH-53- Inner Chassis Assembly		Yes		
12	(Std) MD660T	N/A	Top Rod ^{1,2,5}	1	Yes	
	(5CH) MD660T					
13	(Std) MD691T (5CH) MD691T	01-0696	Coiled Pin	2	Yes	
14		68-4840	Latch Bolt Assembly	1	Yes	
		67-7938	5CH Latch Bolt Assembly	1	Yes	
15		N/A	Top Case Assembly STD	1	Yes	
			Top Case Assembly 1/4" Cladded		Yes	
			Top Case Assembly 1/2" Cladded		Yes	
16		(Std) 660B	Bottom Rod ^{1,2,3}	1	Yes	
		(5CH) 660B			Yes	
17	(Std) 691B	94-0039	Bolt Sleeve	1	Yes	
18	(5CH) 691B	01-4389	Roll Pin	1	Yes	
19		97-0454	Spring (Bottom Bolt)	1	Yes	
20		94-0038	Bottom Bolt	1	Yes	
21	N/A	68-0037	Bottom Case	1	Yes	
		68-4389	Screw Pack (W)*	1	Yes	
		640	Aluminum Door Strike Pack	1	Yes	

*Specify Finish

1. Specify AFF
2. Specify Opening Height
3. Also used with 59-
4. Cut the main slide finger as needed for panel thickness
5. Specify Standard or 5CH prefix before order



A8231L 04/21

The warranty on SARGENT® products becomes void if the product is modified in any way, regardless of whether the modification causes or contributes to any alleged defect. If a SARGENT product is modified it may no longer meet industry certification and quality control standards applicable to the original product and is no longer a genuine SARGENT product.

20

Copyright © 2017-2021, SARGENT Manufacturing Company. All rights reserved. Reproduction in whole or in part without the express written permission of SARGENT Manufacturing Company is prohibited.

Experience a safer
and more open world

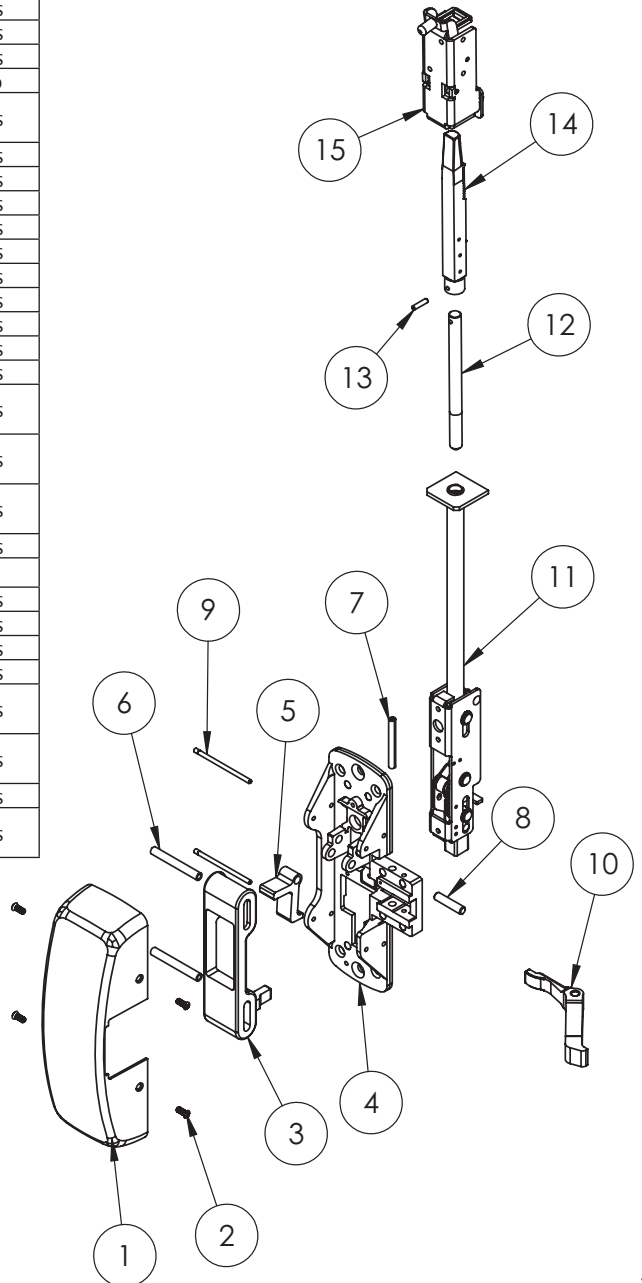
53-NB-AD- 8606 8610 8613 8615
 59-NB-AD- 8640 8643 8646 8673
 NB-AD- 8674
 53-NB-AD-5CH-
 NB-AD-5CH-

Function	Assembly No.	Description	Sellable
53-NB-AD-	68-5068	LHRB Chassis Assembly	Yes
59-NB-AD-	68-5069	RHRB Chassis Assembly	Yes
NB-AD-	68-5070	59- LHRB Chassis Assembly	Yes
53-NB-AD-5CH- NB-AD-5CH- (All Functions)	68-5071	59- RHRB Chassis Assembly	Yes

Item	Assy No.	Part No.	Description	Qty	Sellable	
1	N/A	68-0407	Chassis Cover*	1	Yes	
2		68-3905	Screw Pack (B)*	1	Yes	
3	See chart above	68-0011	Main Slide	1	Yes	
		68-1815	59- Main Slide		No	
68-1836		Main Slide Cup to 1/2" Cladding ⁴	Yes			
4		68-1505	Chassis (LH)	1	Yes	
5	See chart above	68-1506	Chassis (RH)	1	Yes	
		68-1503	Lift Lever	1	Yes	
68-0012		Roller (Main Slide)	2	Yes		
6		01-4512	Spirol Pin	1	Yes	
7		68-0241	Lift Arm	1	Yes	
8		68-0323	Chassis Pin	2	Yes	
9		68-0241	Lift Arm	1	Yes	
		68-1137	59- Lift Arm	1	Yes	
11		94-2008	N/A	Inner Chassis Assembly	1	Yes
		68-3854		53- Inner Chassis Assembly ³		Yes
	68-7936	5CH- Inner Chassis Assembly		Yes		
	68-7789	5CH-53- Inner Chassis Assembly		Yes		
9	(Std) MD691T (5CH) MD691T	(Std) MD660T	Top Rod ^{1,2,5}	1	Yes	
10		(5CH) MD660T				
10	11	01-0696	Coiled Pin	2	Yes	
11		68-4840	Latch Bolt Assembly	1	Yes	
11		67-7938	5CH Latch Bolt Assembly	1	Yes	
15	N/A	68-5374	Top Case Assembly STD	1	Yes	
		68-5375	Top Case Assembly 1/4" Cladded	1	Yes	
		68-5376	Top Case Assembly 1/2" Cladded	1	Yes	
N/A	N/A	68-4389	Screw Pack(W)*	1	Yes	
		639	Aluminum Door Strike Pack	1	Yes	

*Specify Finish

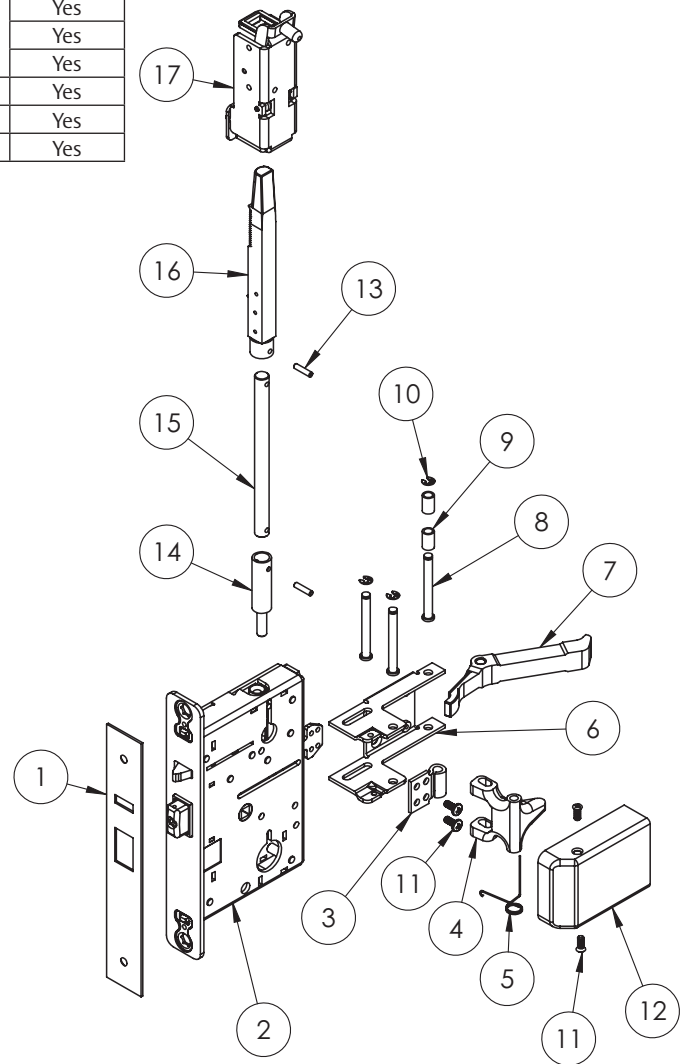
1. Specify AFF
2. Specify Opening Height
3. Also used with 59-
4. Cut the main slide finger as needed for panel thickness
5. Specify Standard or 5CH prefix before order



12-LP	8606	8610	8613	8615
LP	8640	8643	8646	8673
12-LS	8674			
LS				

Item	Assy No.	Part No.	Description	Qty	Sellable
1	N/A	68-1186	Active Outside Front ¹	1	Yes
2	68-4239	N/A	Active Mortise Case	1	Yes
3	68-4264	68-1327	Link Connect (Pull Lever)	1	Yes
4		68-1309	Pull Lever Low Profile	1	Yes
5		68-1332	Torsion Spring (Pull Lever)	1	Yes
6		68-1313	Pivot Pin	3	Yes
7		68-0241	Lift Arm	1	Yes
8		68-1310	Pivot Bracket	1	Yes
9		01-4509	Retaining Ring	3	Yes
10	N/A	68-1311	Lift Arm Spacer	2	Yes
11		68-4373	Screw Pack (LP)	1	Yes
12	N/A	68-1317	Chassis Cover (LP)*	1	Yes
13	692L	01-0696	Coiled Pin	2	Yes
14		68-1339	Connecting Tube	1	Yes
15		661L	Top Rod (LP)	1	Yes
16		68-4840	Latch Bolt Assembly	1	Yes
17	68-5374	N/A	Top Case Assembly STD	1	Yes
	68-5375		Top Case Assembly 1/4" Panel		Yes
	68-5376		Top Case Assembly 1/2" Panel		Yes
N/A	68-4389	Screw Pack	1	Yes	
	650	Strike Pack	1	Yes	
	77-0883	A.S.A. Strike (Curved Lip)* ²	1	Yes	

*Specify Finish
1. Only available in 32D finish
2. LS function only



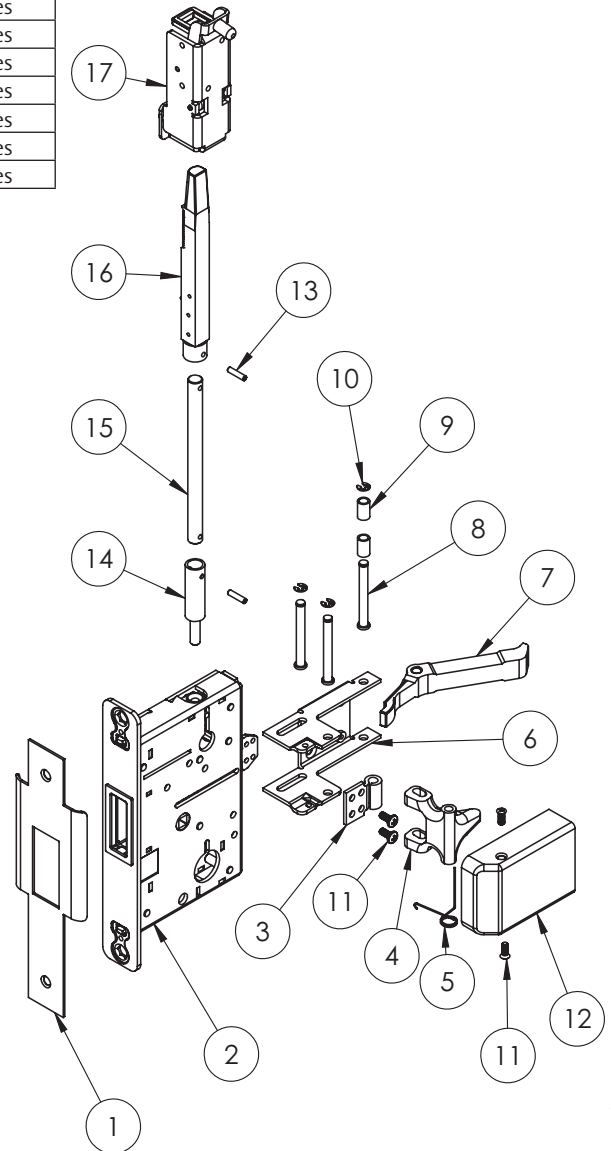
A8231L 04/21

The warranty on SARGENT® products becomes void if the product is modified in any way, regardless of whether the modification causes or contributes to any alleged defect. If a SARGENT product is modified it may no longer meet industry certification and quality control standards applicable to the original product and is no longer a genuine SARGENT product.

12-LR	8606	8610	8613	8615
LR	8640	8643	8646	8673
	8674			

Item	Assy No.	Part No.	Description	Qty	Sellable
1	N/A	68-1183	Inactive Outside Front ¹	1	Yes
2	68-4238	N/A	Inactive Mortise Case	1	Yes
3	68-4264	68-1327	Link Connect (Pull Lever)	1	Yes
4		68-1309	Pull Lever Low Profile	1	Yes
5		68-1332	Torsion Spring (Pull Lever)	1	Yes
6		68-1313	Pivot Pin	3	Yes
7		68-0241	Lift Arm	1	Yes
8		68-1310	Pivot Bracket	1	Yes
9		01-4509	Retaining Ring	3	Yes
10		68-1311	Lift Arm Spacer	2	Yes
11	N/A	68-1317	Chassis Cover (LP)*	1	Yes
12	N/A	68-4373	Screw Pack (LP)	1	Yes
13	692L	01-0696	Coiled Pin	2	Yes
14		68-1339	Connecting Tube	1	Yes
15		661L	Top Rod (LP)	1	Yes
16		68-4840	Latch Bolt Assembly	1	Yes
17	68-5374	N/A	Top Case Assembly STD	1	Yes
	68-5375		Top Case Assembly 1/4" Panel		Yes
	68-5376		Top Case Assembly 1/2" Panel		Yes
	N/A	68-4389	Screw Pack	1	Yes
	N/A	650	Strike Pack	1	Yes

*Specify Finish
1. Only available in 32D finish



Experience a safer
and more open world

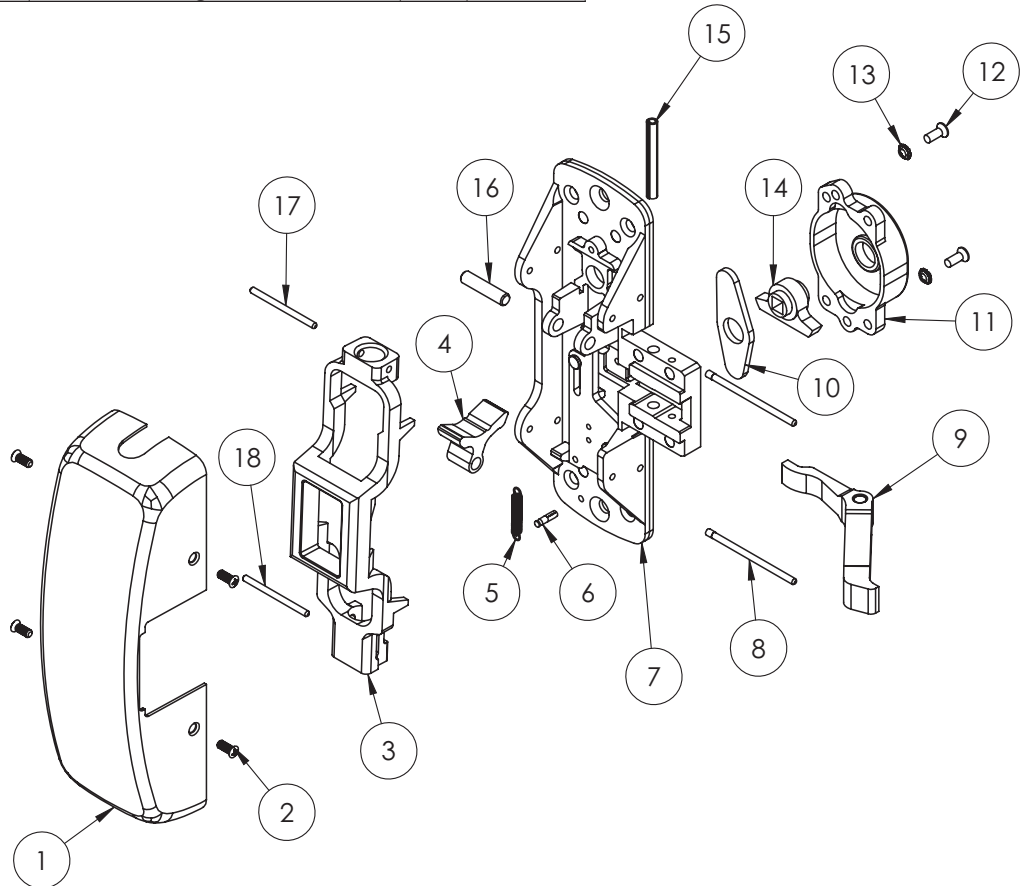
The warranty on SARGENT® products becomes void if the product is modified in any way, regardless of whether the modification causes or contributes to any alleged defect. If a SARGENT product is modified it may no longer meet industry certification and quality control standards applicable to the original product and is no longer a genuine SARGENT product.

Copyright © 2017-2021, SARGENT Manufacturing Company. All rights reserved. Reproduction in whole or in part without the express written permission of SARGENT Manufacturing Company is prohibited.

Function	Assembly No.	Description	Sellable
06, 13	68-2201 (LHRB)	Chassis Assembly	Yes
	68-2202 (RHRB)		Yes

Item	Assy No.	Part No.	Description	Qty	Sellable	
1	N/A	68-0405	Chassis Cover*	1	Yes	
2		97-2563	Auxillary Screw Pack*	1	Yes	
3	68-2201(LHRB) 68-2202(RHRB)	68-0327	Main Slide	1	Yes	
4		68-1090	Lift Lever	1	Yes	
5		97-0050	Knob Return Spring	1	Yes	
6		01-0749	Groove Pin	1	No	
7		68-2413	Chassis and Slide Assembly, LHRB	1	No	
		68-2414	Chassis and Slide Assembly, RHRB		No	
8		68-0323	Chassis Pin	2	Yes	
9		68-0241	Lift Arm	1	Yes	
10		97-0043	Knob Hub Retainer	1	Yes	
11		68-0367	Knob Hub Cover	2	Yes	
12		01-3384	8-32x7/16 PH FH MS	2	Yes	
13		01-0930	Countersunk Lock Washer	2	Yes	
14		97-0042	Knob Hub	1	Yes	
15		01-4512	Spirol Pin	1	Yes	
16		68-0324	Lift Lever Pivot Pin	1	Yes	
17		N/A	97-0049	Top Rod Adjustment Pin	1	Yes
18			97-0048	Bottom Rod Adjustment Pin	1	Yes
19			68-5991	Mounting Screw Pack	1	Yes

*Specify Finish



A8231.L 04/21

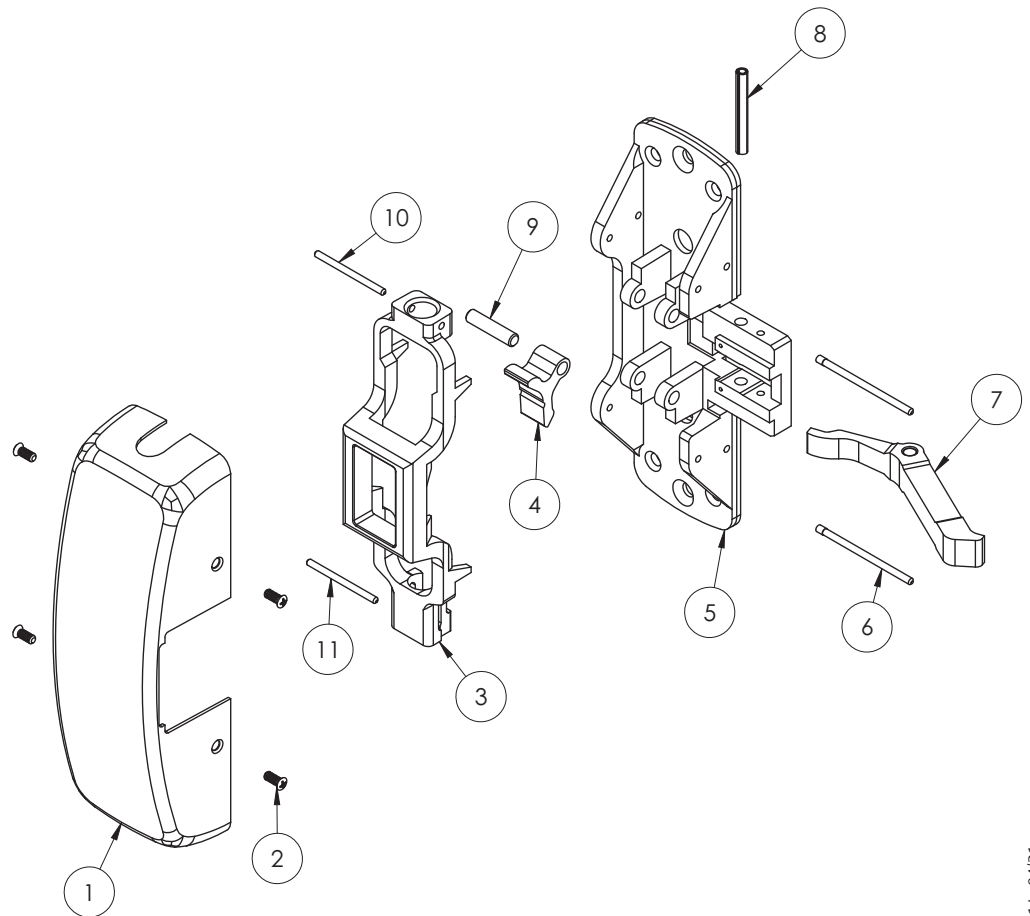
The warranty on SARGENT® products becomes void if the product is modified in any way, regardless of whether the modification causes or contributes to any alleged defect. If a SARGENT product is modified it may no longer meet industry certification and quality control standards applicable to the original product and is no longer a genuine SARGENT product.

STD 8710 8740
 12-
 HC-
 12-HC-

Function	Assembly No.	Description	Sellable
10, 40	68-2163 (LHRB)	Chassis Assembly	Yes
	68-2164 (RHRB)		Yes

Item	Assy No.	Part No.	Description	Qty	Sellable
1	N/A	68-0405	Chassis Cover*	1	Yes
2		68-2113	Screw Pack*	1	Yes
3	68-2163(LHRB) 68-2164(RHRB)	68-0327	Main Slide	1	Yes
4		68-1090	Lift Lever	1	Yes
5		68-0326	Chassis	1	Yes
6		68-0323	Chassis Pin	2	Yes
7		68-0241	Lift Arm	1	Yes
8		01-4512	Spirol Pin	1	Yes
9		68-0324	Lift Lever Pivot Pin	1	Yes
10	N/A	97-0049	Top Rod Adjustment Pin	1	Yes
11		97-0048	Bottom Rod Adjustment Pin	1	Yes
12		68-5991	Mounting Screw Pack	1	Yes

*Specify Finish



Experience a safer
 and more open world

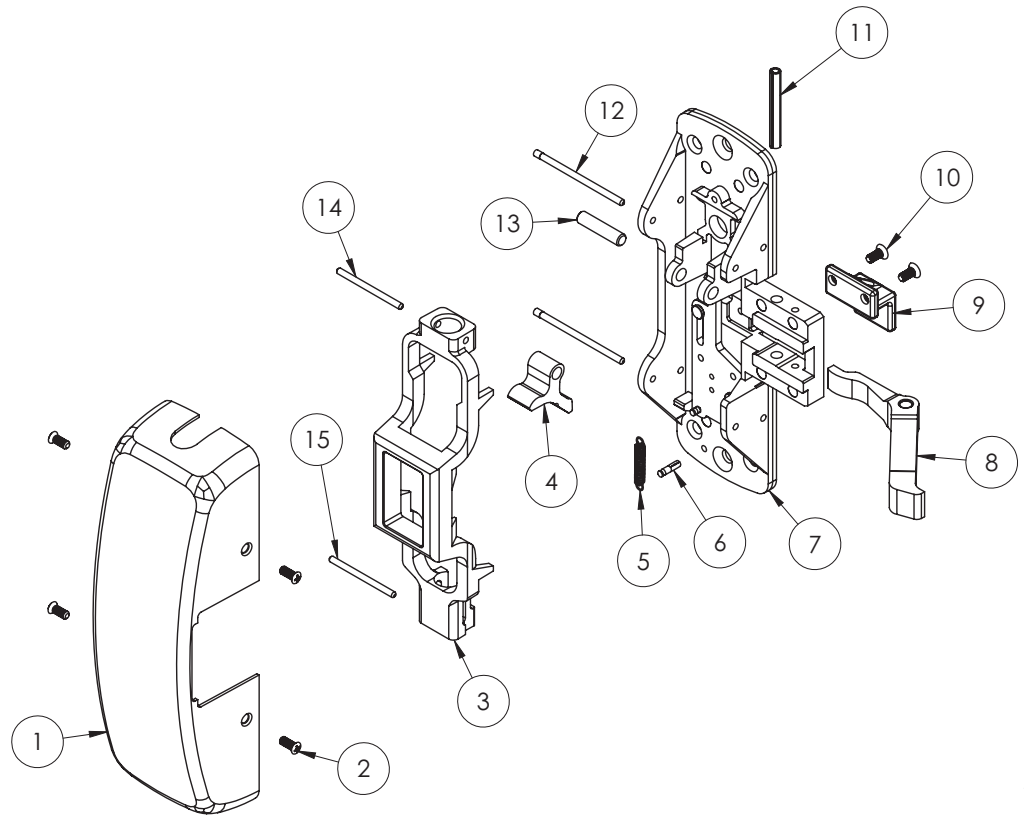
The warranty on SARGENT® products becomes void if the product is modified in any way, regardless of whether the modification causes or contributes to any alleged defect. If a SARGENT product is modified it may no longer meet industry certification and quality control standards applicable to the original product and is no longer a genuine SARGENT product.

Copyright © 2017-2021, SARGENT Manufacturing Company. All rights reserved. Reproduction in whole or in part without the express written permission of SARGENT Manufacturing Company is prohibited.

Function	Assembly No.	Description	Sellable
28	68-2210 (LHRB)	Chassis Assembly	Yes
	68-2211 (RHRB)		Yes

Item	Assy No.	Part No.	Description	Qty	Sellable
1	N/A	68-0405	Chassis Cover*	1	Yes
2		68-2113	Screw Pack*	1	Yes
3	68-2210(LHRB) 68-2211(RHRB)	68-0327	Main Slide	1	Yes
4		68-1090	Lift Lever	1	Yes
5		97-0050	Knob Return Spring	1	Yes
6		01-0749	Groove Pin	1	No
7		68-2415	Chassis and Slide Assembly, LHRB	1	No
		68-2416	Chassis and Slide Assembly, RHRB		No
8		68-0241	Lift Arm	1	Yes
9		97-0089	Thumb Piece Lever	1	Yes
10		01-1146	8-32x3/8 PH FH U'CUT Screw	2	Yes
11		01-4512	Spirol Pin	1	Yes
12		68-0323	Chassis Pin	2	Yes
13		68-0324	Lift Lever Pivot Pin	1	Yes
14		N/A	97-0049	Top Rod Adjustment Pin	1
15	97-0048		Bottom Rod Adjustment Pin	1	Yes
16	68-5991		Mounting Screw Pack	1	Yes

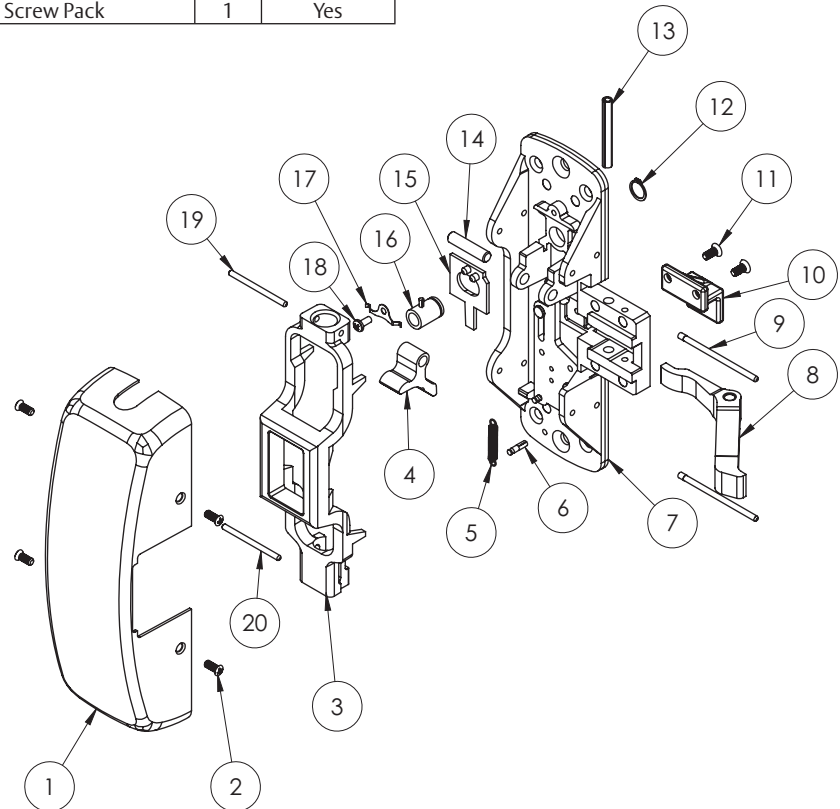
*Specify Finish



Function	Assembly No.	Description	Sellable
62, 63	68-2204 (LHRB)	Chassis Assembly	Yes
	68-2205 (RHRB)		Yes

Item	Assy No.	Part No.	Description	Qty	Sellable
1	N/A	68-0405	Chassis Cover*	1	Yes
2		68-2113	Screw Pack*	1	Yes
3	68-2204(LHRB) 68-2205(RHRB)	68-0327	Main Slide	1	Yes
4		68-1090	Lift Lever	1	Yes
5		97-0050	Knob Return Spring	1	Yes
6		01-0749	Groove Pin	1	No
7		68-2415	Chassis and Slide Assembly, LHRB	1	No
		68-2416	Chassis and Slide Assembly, RHRB		No
8		68-0241	Lift Arm	1	Yes
9		68-0323	Chassis Pin	2	Yes
10		97-0089	Thumb Piece Lever	1	Yes
11		01-1146	8-32x3/8 PH FH U'CUT Screw	2	Yes
12		01-0005	Retaining Ring	1	Yes
13		01-4512	Spirol Pin	1	Yes
14		68-0324	Lift Lever Pivot Pin	1	Yes
15		68-2198	Locking Slide Assembly, LHRB	1	Yes
		68-2199	Locking Slide Assembly, RHRB		Yes
16		97-2048	Cylinder Hub and Pin Assembly	1	Yes
17		68-0368	Locking Slide Spring, LHRB	1	Yes
		97-0006	Locking Slide Spring, RHRB		Yes
18	01-1190	6-32x5/16 PH PNHD Self Tap	1	Yes	
19	N/A	97-0049	Top Rod Adjustment Pin	1	Yes
20		97-0048	Bottom Rod Adjustment Pin	1	Yes
21		68-5991	Mounting Screw Pack	1	Yes

*Specify Finish



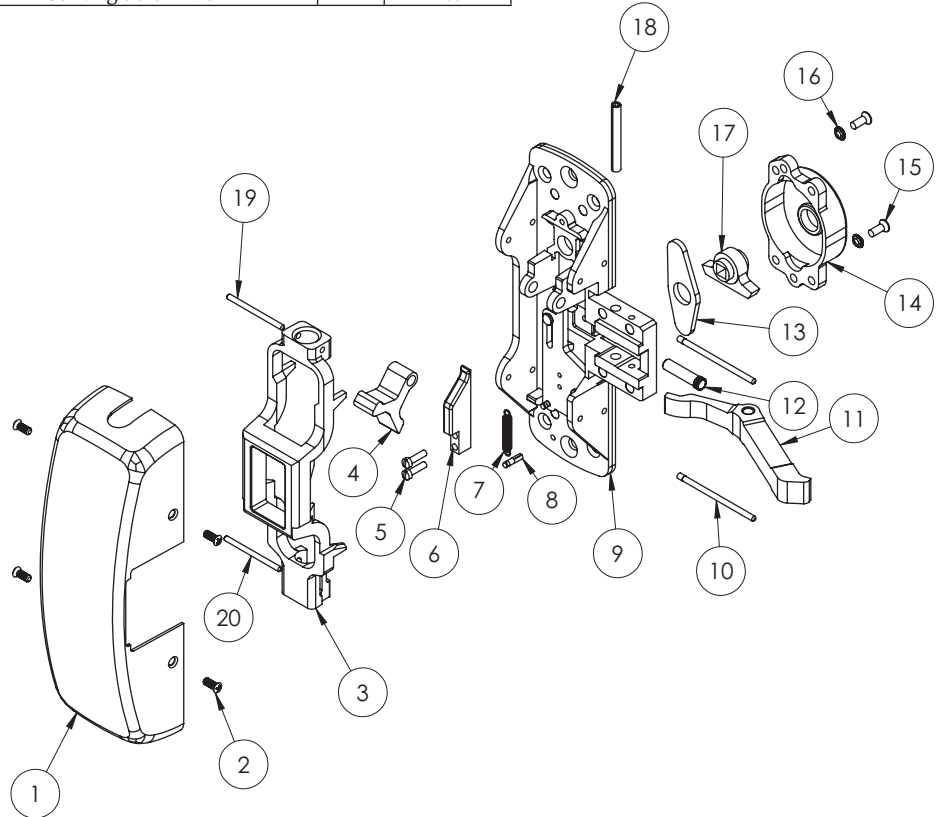
A8231.L 04/21

The warranty on SARGENT® products becomes void if the product is modified in any way, regardless of whether the modification causes or contributes to any alleged defect. If a SARGENT product is modified it may no longer meet industry certification and quality control standards applicable to the original product and is no longer a genuine SARGENT product.

Function	Assembly No.	Description	Sellable
06, 13, 43, 46	68-7306 (LHRB)	Chassis Assembly	Yes
	68-7307 (RHRB)		Yes

Item	Assy No.	Part No.	Description	Qty	Sellable
1	N/A	68-0405	Chassis Cover*	1	Yes
2		97-2563	Auxillary Screw Pack*	1	Yes
3	68-7306(LHRB) 68-7307(RHRB)	68-1664	Main Slide	1	Yes
4		68-1656	Lift Lever	1	Yes
5		01-4396	59-80 Machine Screw	2	Yes
6		68-1655	Lift Block	1	Yes
7		97-0050	Knob Return Spring	1	Yes
8		01-0749	Groove Pin	1	No
9		68-7310	Chassis and Slide Assembly, LHRB	1	No
		68-7311	Chassis and Slide Assembly, RHRB		No
10		68-0323	Chassis Pin	2	Yes
11		68-0241	Lift Arm	1	Yes
12		01-9372	Lift Lever Pivot Pin	1	Yes
13		97-0043	Knob Hub Retainer	1	Yes
14		68-0367	Knob Hub Cover	2	Yes
15		01-3384	8-32x7/16 PH FH MS	2	Yes
16		01-0930	Countersunk Lock Washer	2	Yes
17		97-0042	Knob Hub	1	Yes
18		01-4512	Spirol Pin	1	Yes
19		N/A	97-0049	Top Rod Adjustment Pin	1
20	97-0048		Bottom Rod Adjustment Pin	1	Yes
21	68-5991		Mounting Screw Pack	1	Yes

*Specify Finish



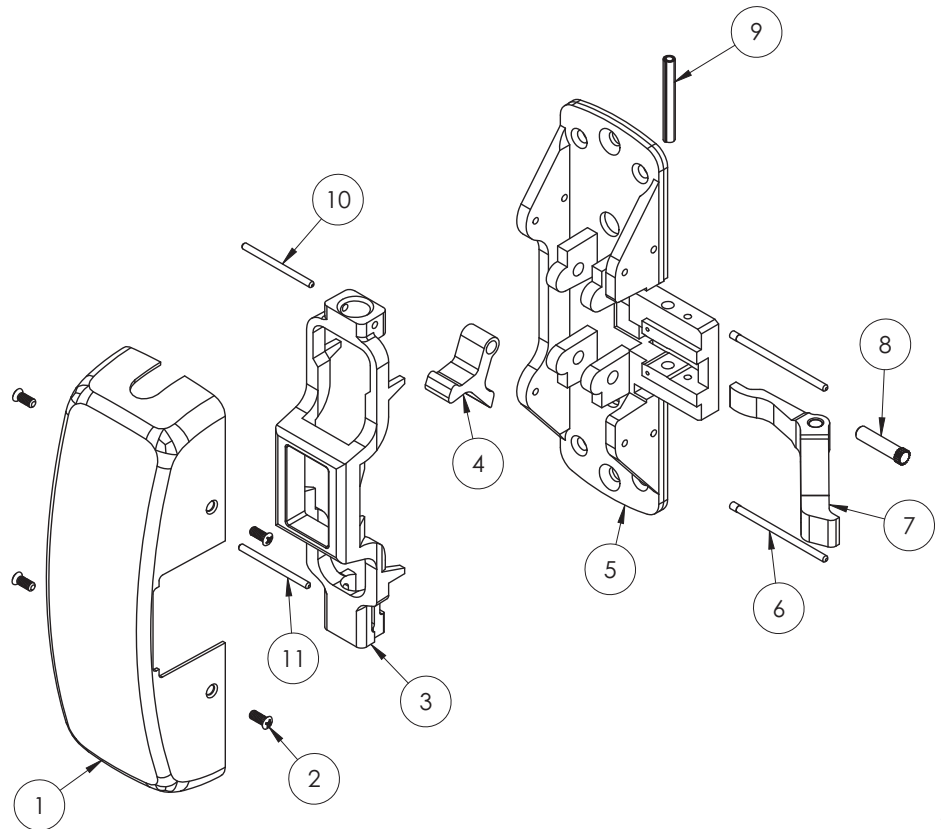
A8231L 04/21

The warranty on SARGENT® products becomes void if the product is modified in any way, regardless of whether the modification causes or contributes to any alleged defect. If a SARGENT product is modified it may no longer meet industry certification and quality control standards applicable to the original product and is no longer a genuine SARGENT product.

Function	Assembly No.	Description	Sellable
(10, 40)	68-7308 (LHRB)	Chassis Assembly	Yes
	68-7309 (RHRB)		Yes

Item	Assy No.	Part No.	Description	Qty	Sellable
1	N/A	68-0405	Chassis Cover*	1	Yes
2		97-2563	Auxillary Screw Pack*	1	Yes
3	68-7308(LHRB) 68-7309(RHRB)	68-1664	Main Slide	1	Yes
4		68-1656	Lift Lever	1	Yes
5		68-1660	Chassis	1	Yes
6		68-0323	Chassis Pin	2	Yes
7		68-0241	Lift Arm	1	Yes
8		01-9372	Lift Lever Pivot Pin	1	Yes
9	N/A	97-0049	Top Rod Adjustment Pin	1	Yes
10		97-0048	Bottom Rod Adjustment Pin	1	Yes
11		68-5991	Mounting Screw Pack	1	Yes

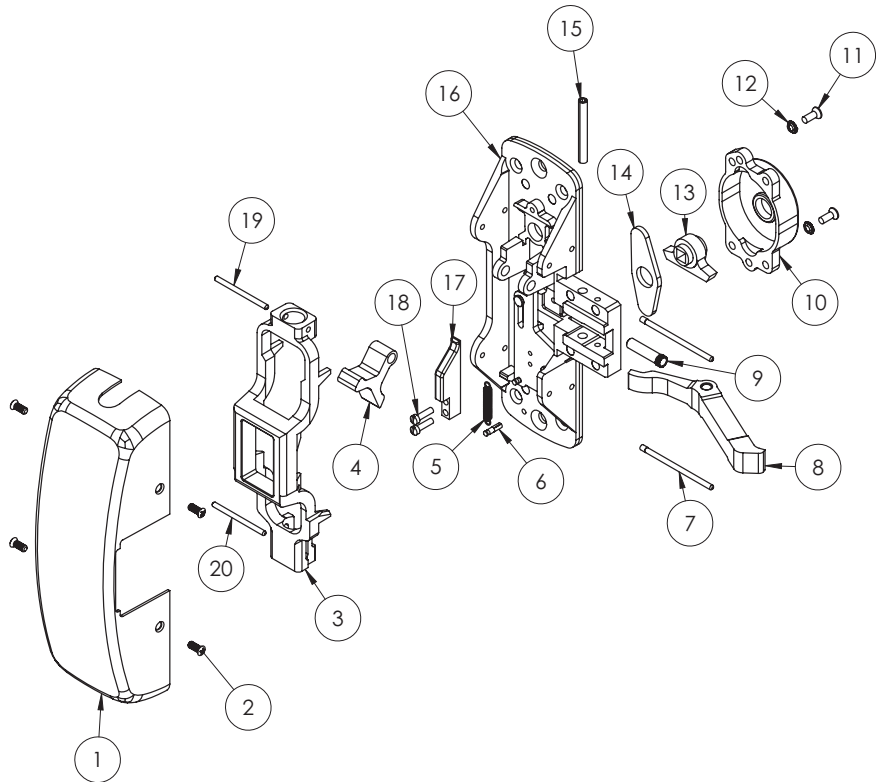
*Specify Finish



Function	Assembly No.	Description	Sellable
(15, 73, 74)	68-7312 (LHRB)	Chassis Assembly	Yes
	68-7313 (RHRB)		Yes

Item	Assy No.	Part No.	Description	Qty	Sellable
1	N/A	68-0405	Chassis Cover*	1	Yes
2		97-2563	Auxillary Screw Pack*	1	Yes
3	68-7312(LHRB) 68-7313(RHRB)	68-1664	Main Slide	1	Yes
4		68-1656	Lift Lever	1	Yes
5		97-0050	Knob Return Spring	1	Yes
6		01-0749	Groove Pin	1	No
7		68-0323	Chassis Pin	2	Yes
8		68-0241	Lift Arm	1	Yes
9		01-9372	Lift Lever Pivot Pin	1	Yes
10		68-0367	Knob Hub Cover		Yes
11		01-3384	8-32x7/16 PH FH MS	2	Yes
12		01-0930	Countersunk Lock Washer	2	Yes
13		97-0042	Knob Hub	1	Yes
14		97-0043	Knob Hub Retainer	1	Yes
15		01-4512	Spirol Pin	1	Yes
16		68-7310	Chassis and Slide Assembly, LHRB	1	No
		68-7311	Chassis and Slide Assembly, RHRB		No
17		68-1655	Lift Block	1	Yes
18		01-4396	Machine Screw #6-32x1/2	2	Yes
19		N/A	97-0049	Top Rod Adjustment Pin	1
20	97-0048		Bottom Rod Adjustment Pin	1	Yes
21	68-5991		Mounting Screw Pack	1	Yes

*Specify Finish



A8231L 04/21

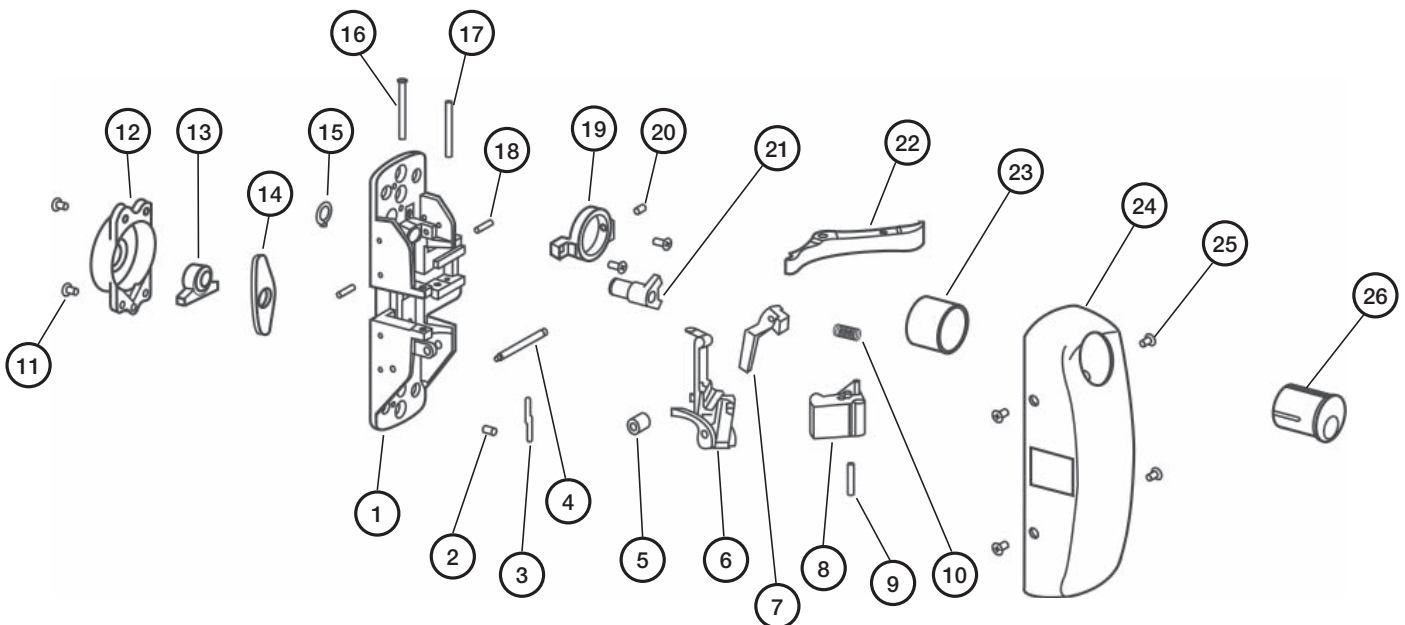
The warranty on SARGENT® products becomes void if the product is modified in any way, regardless of whether the modification causes or contributes to any alleged defect. If a SARGENT product is modified it may no longer meet industry certification and quality control standards applicable to the original product and is no longer a genuine SARGENT product.

Copyright © 2017-2021, SARGENT Manufacturing Company. All rights reserved. Reproduction in whole or in part without the express written permission of SARGENT Manufacturing Company is prohibited.

Item	Part No.	Description	Qty.	Sellable
1	68-2400	Chassis Assembly (LHRB)	1	No
	68-2401	Chassis Assembly (RHRB)		
2	01-0008	Groove Pin	1	No
3	97-0050	Spring Knob Return	1	Yes
4	68-0271	Pivot Pin Knob Lever	1	Yes
5	68-0273	Bushing Knob Lever	1	Yes
6	68-4236	Knob Lever Assy (LHRB)	1	Yes
	68-4235	Knob Lever Assy (RHRB)		
7	68-0237	Latchbolt Lever (LHRB) ²	1	Yes
	68-0238	Latchbolt Lever (RHRB) ²		
8	98-2034	Latchbolt Assy	1	Yes
9	97-0040	Bushing Latchbolt	1	Yes
10	98-0028	Spring Latchbolt	1	Yes
11	01-3384	Screw 8-32 x 5/16	4	Yes
12	68-0367	Knob Hub Cover	1	Yes
13	97-0042	Knob Hub	1	Yes
14	97-0043	Knob Hub Retainer	1	Yes
15	01-0005	Retaining Ring	1	Yes
16	01-0013	Screw Latchbolt Pivot	1	Yes
17	01-4512	Pivot Pin Left Arm	1	Yes

Item	Part No.	Description	Qty.	Sellable
18	98-0011	Pivot Pin Latchbolt Lever	1	Yes
19	98-0020	Inside Cylinder Retainer	1	Yes
20	01-1095	Set Screw #8-32 x 1/4 Cup Point	1	Yes
21	98-0018	Outside Cylinder Hub	1	Yes
22	68-0241	Lift Arm	1	Yes
23	98-0021	Blocking Ring ¹	1	Yes
24	68-0408	Cover (LHRB) ¹	1	Yes
	68-0409	Cover (RHRB) ¹		
25	68-3908	Cover Screw Pack ¹	1	Yes
—	68-2143	Screw Pack	1	Yes
26	—	Cylinder ^{1,3}	1	Yes
—	649	Strike Pack	1	Yes

1. Specify finish
2. Order opposite hand from door
3. Specify #44 cylinder by keying requirements



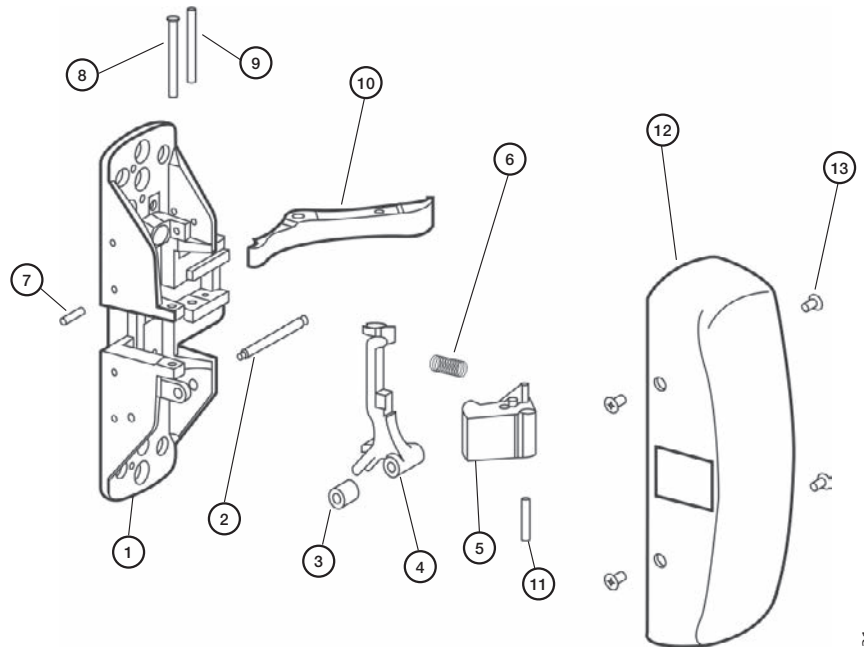
A8231L 04/21

The warranty on SARGENT® products becomes void if the product is modified in any way, regardless of whether the modification causes or contributes to any alleged defect. If a SARGENT product is modified it may no longer meet industry certification and quality control standards applicable to the original product and is no longer a genuine SARGENT product.

Function	Assembly No.	Description	Sellable
8828	68-2106	LHRB	Yes
	68-2107	RHRB	

Item	Assembly No.	Part No.	Description	Qty.	Sellable
1	See chart above	—	Chassis (LHRB)	1	No
		—	Chassis (RHRB)	1	No
2		68-0271	Pivot Pin Thumb Lever	1	Yes
3		68-0273	Bushing Thumb Lever	1	Yes
4		68-0260	Thumb Piece Lever (LHRB)	1	Yes
		68-0261	Thumb Piece Lever (RHRB)	1	Yes
5		98-2034	Latchbolt Assy	1	Yes
6		98-0028	Spring Latchbolt	1	Yes
7		01-0008	Groove Pin	1	No
8		01-0013	Screw Latchbolt Pivot	1	Yes
9		01-4512	Pivot Pin Lift Arm	1	Yes
10		68-0241	Lift Arm	1	Yes
11	97-0040	Bushing Latchbolt	1	Yes	
12	N/A	68-0406	Cover ¹	1	Yes
13		68-3908	Cover Screw Pack ¹	1	Yes
Not Shown		68-2143	Screw Pack	1	Yes
		649	Strike Pack	1	Yes

1. Specify finish



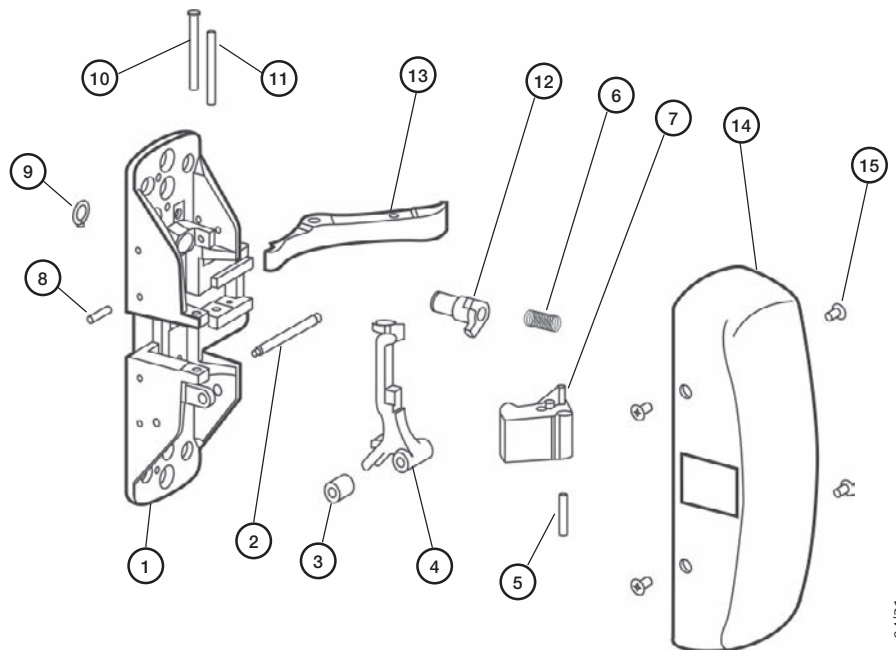
The warranty on SARGENT® products becomes void if the product is modified in any way, regardless of whether the modification causes or contributes to any alleged defect. If a SARGENT product is modified it may no longer meet industry certification and quality control standards applicable to the original product and is no longer a genuine SARGENT product.

Copyright © 2017-2021, SARGENT Manufacturing Company. All rights reserved. Reproduction in whole or in part without the express written permission of SARGENT Manufacturing Company is prohibited.

Function	Assembly No.	Description	Sellable
8863	68-2109	LHRB	Yes
8863	68-2110	RHRB	Yes

Item	Assembly No.	Part No.	Description	Qty.	Sellable
1	See chart above	—	Chassis Assembly (LHRB)	1	No
		—	Chassis Assembly (RHRB)	1	No
2		68-0271	Pivot Pin Thumb Lever	1	Yes
3		68-0273	Bushing Thumb Lever	1	Yes
4		68-0260	Thumb Piece Lever LHRB	1	Yes
		68-0261	Thumb Piece Lever RHRB	1	No
5		97-0040	Bushing Latchbolt	1	Yes
6		98-0028	Spring Latchbolt	1	Yes
7		98-2034	Latchbolt Assy	1	Yes
8		01-0008	Groove Pin	1	No
9		01-0005	Retaining Ring	1	Yes
10		01-0013	Screw Latchbolt Pivot	1	Yes
11		01-4512	Pivot Pin Lift Arm	1	Yes
12	98-0018	Outside Cylinder Hub	1	Yes	
13	68-0241	Lift Arm	1	Yes	
14	N/A	68-0406	Cover ¹	1	No
15		68-3908	Cover Screw Pack ¹	1	Yes
Not Shown		68-2143	Screw Pack	1	Yes
		649	Strike Pack	1	Yes

1. Specify finish



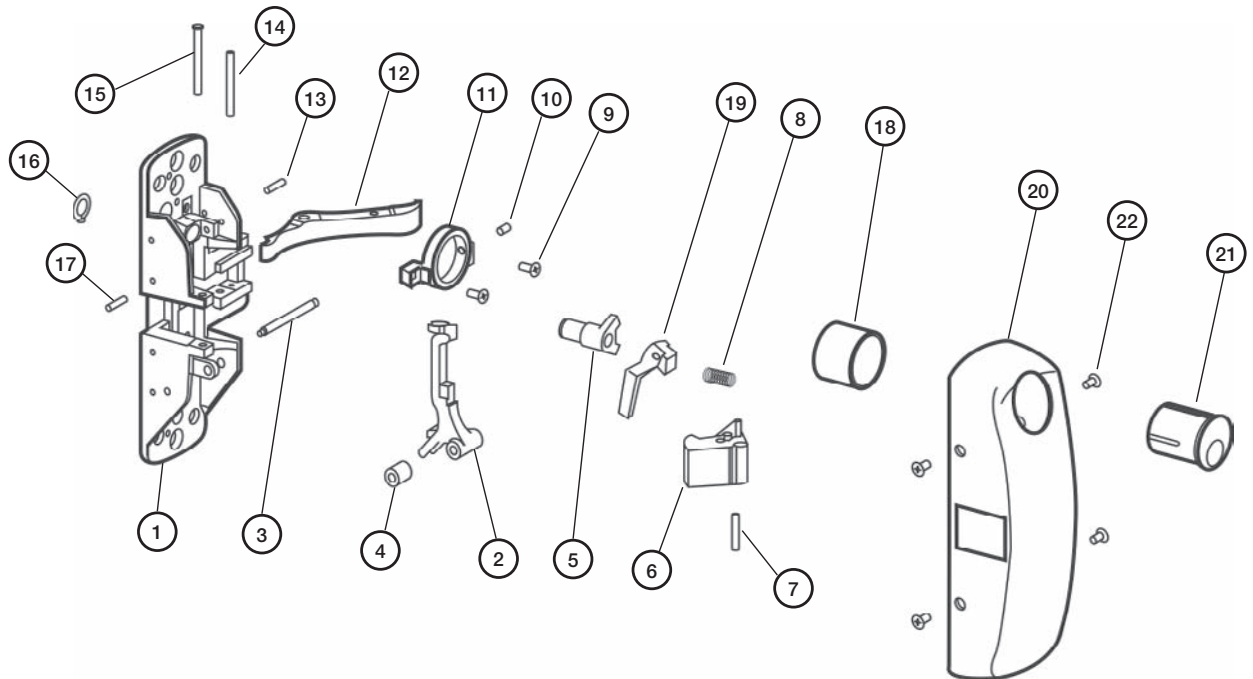
The warranty on SARGENT® products becomes void if the product is modified in any way, regardless of whether the modification causes or contributes to any alleged defect. If a SARGENT product is modified it may no longer meet industry certification and quality control standards applicable to the original product and is no longer a genuine SARGENT product.

Copyright © 2017-2021, SARGENT Manufacturing Company. All rights reserved. Reproduction in whole or in part without the express written permission of SARGENT Manufacturing Company is prohibited.

Item	Part No.	Description	Qty.	Sellable
1	-	Chassis Assembly	1	No
2	68-0260	Thumb Piece Lever LHRB	1	Yes
	68-0261	Thumb Piece Lever RHRB	1	Yes
3	68-0271	Pivot Pin	1	Yes
4	68-0273	Bushing	1	Yes
5	98-0018	Outside Cylinder Hub	1	Yes
6	98-2034	Latchbolt	1	Yes
7	97-0040	Bushing, Latchbolt	1	Yes
8	97-0028	Spring, Latchbolt	1	Yes
9	01-3384	Screw #8-32 x 5/16	2	Yes
10	01-1095	Set Screw	1	Yes
11	98-0020	Inside Cylinder Retainer	1	Yes
12	68-0241	Lift Arm	1	Yes
13	98-0011	Pivot Pin (Lift Lever)	1	Yes
14	01-4512	Pivot Pin (Lift Arm)	1	Yes
15	01-0013	Latchbolt Screw	1	Yes

Item	Part No.	Description	Qty.	Sellable
16	01-0005	Retaining Ring	1	Yes
17	01-0008	Groove Pin	1	No
18	98-0021	Blocking Ring ¹	1	Yes
19	68-0237	Lift Lever LHRB	1	Yes
	68-0238	Lift Lever RHRB	1	Yes
20	68-0408	Cover ¹	1	Yes
	68-0409	Cover ¹	1	Yes
21	-	Inside Cylinder ^{1,2}	1	Yes
22	68-3908	Cover Screw Pack ¹	1	Yes
Not Shown	68-2143	Screw Pack	1	Yes
	649	Strike Pack ¹	1	Yes

1. Specify finish
2. Specify #44 cylinder by keying requirements



A82311_04/21

The warranty on SARGENT® products becomes void if the product is modified in any way, regardless of whether the modification causes or contributes to any alleged defect. If a SARGENT product is modified it may no longer meet industry certification and quality control standards applicable to the original product and is no longer a genuine SARGENT product.

Copyright © 2017-2021, SARGENT Manufacturing Company. All rights reserved. Reproduction in whole or in part without the express written permission of SARGENT Manufacturing Company is prohibited.