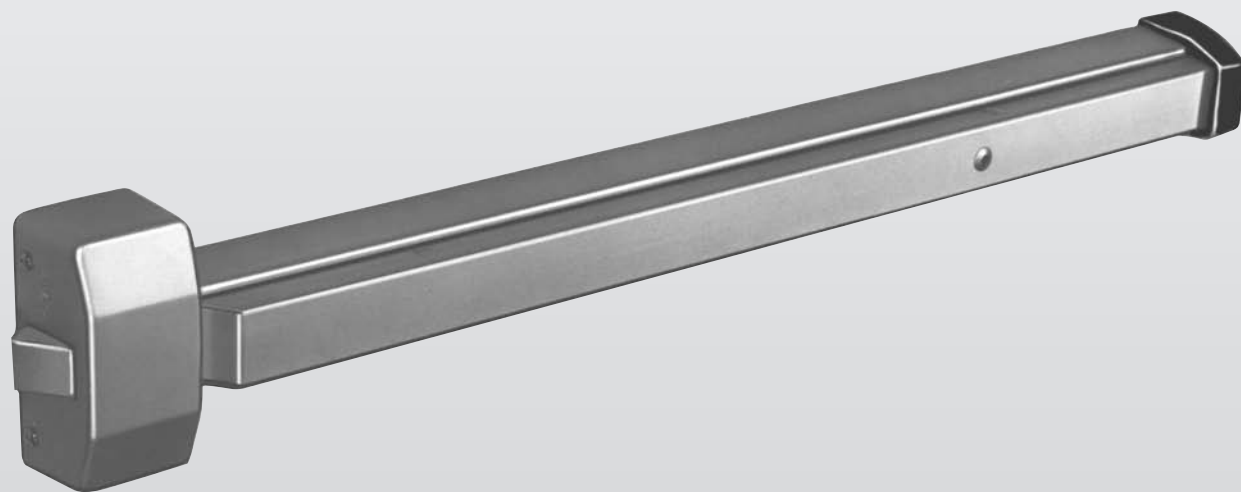


20 Series Exit Device

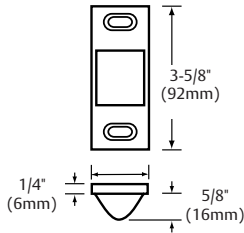


Alternate Strikes and Shim Kits

20 Series Exit Device

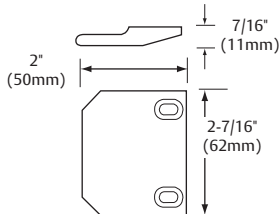
Alternate Strikes

613 Strike (Alternative for 2828)



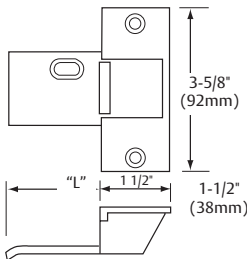
Half mortised. Nylon coating on face plate only. Minimum stile 4". When ordered separately, specify finish.

644 Strike (Alternative for 2828)



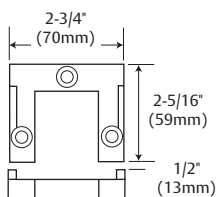
Surface applied. For use on pair of doors without mullion. Specify outside finish when ordered separately.

642 Strike (Alternative for 2828)



Full mortised dimension "L" equals door thickness plus 1/2" (13mm).

653 Bottom Strike (Alternate for 12-2727)



Available on order for 12-2727. For use with 1/2" (13mm) high threshold. Cut threshold to fit strike. Stainless steel. Furnished with expansion shields.

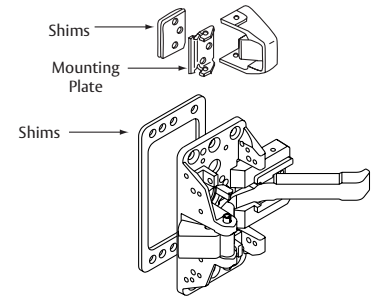
Glass Bead Shim Kits

558 for 2828 and 12-2828 Exit Devices

559 for 2727 and 12-2727 Exit Devices

Note: When ordering shim kits for exits with outside trim, spindle length, thumbpiece length and through bolt length must be increased accordingly.

(2 pieces 1/8" shim supplied. 1/4" total.)



Through Bolt (TB) Applications

Device	Door Thickness	*Ordering Number
2727	1-3/4" (44mm)	28-2031
	2-1/4" (57mm)	28-2032
12-2727	1-3/4" (44mm)	28-2078
	2-1/4" (57mm)	28-2088
2828 & 12-2828	1-3/4" (44mm)	28-2024
	2-1/4" (57mm)	28-2025

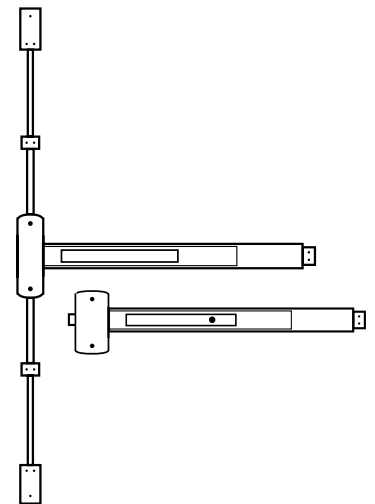
*Specify finish

Through bolts and mortise nuts are furnished in a pack along with the appropriate instruction sheet for device ordered.

To order through bolts and mortise nuts with an exit device, add suffix TB to trim pack.

Example: 2727 x TB x EN
Available finishes: EB, EN, ED, EAB

To order through bolt and mortise nut packs separately, see chart above.



Rod Replacement Kits

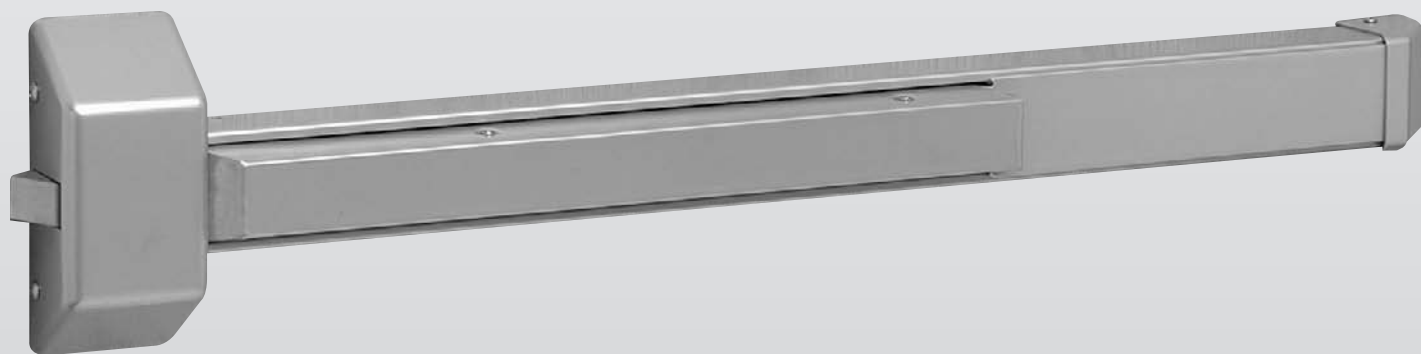
Product	Top Rod Kit ++	Bottom Rod Kit +++
2700+	672T	672B

+ Finish Information Required

++ Door Height & Rail Location Required

+++ Rail Location Required

30 Series Exit Device

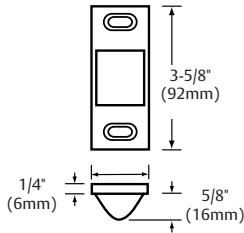


Alternate Strikes and Shim Kits

30 Series Exit Device

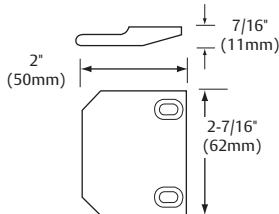
Alternate Strikes

613 Strike (Alternative for 3828)



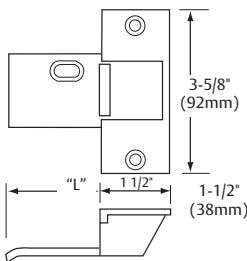
Half mortised. Nylon coating on face plate only. Minimum stile 4". When ordered separately, specify finish.

644 Strike (Alternative for 3828)



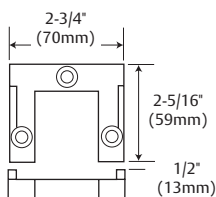
Surface applied. For use on pair of doors without mullion. Specify outside finish when ordered separately.

642 Strike (Alternative for 3828)



Full mortised Dimension "L" equals door thickness plus 1/2" (13mm).

653 Bottom Strike (Alternate for 12-3727)



Available on order for 12-3727. For use with 1/2" (13mm) high threshold. Cut threshold to fit strike. Stainless steel. Furnished with expansion shields.

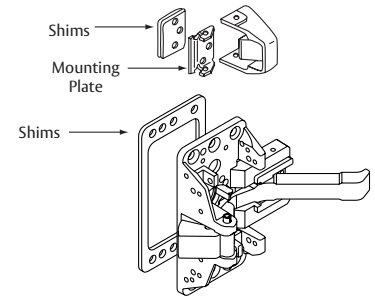
Glass Bead Shim Kits

558 for 3828 and 12-3828 Exit Devices

559 for 3727 and 12-3727 Exit Devices

Note: When ordering shim kits for exits with outside trim, spindle length, thumbpiece length and through bolt length must be increased accordingly.

(2 pieces 1/8" shim supplied. 1/4" total.)



Through Bolt (TB) Applications

Device	Door Thickness	*Ordering Number
3727	1-3/4" (44mm)	28-2031
	2-1/4" (57mm)	28-2032
12-3727	1-3/4" (44mm)	28-2078
	2-1/4" (57mm)	28-2088
3828 & 12-3828	1-3/4" (44mm)	28-2024
	2-1/4" (57mm)	28-2025

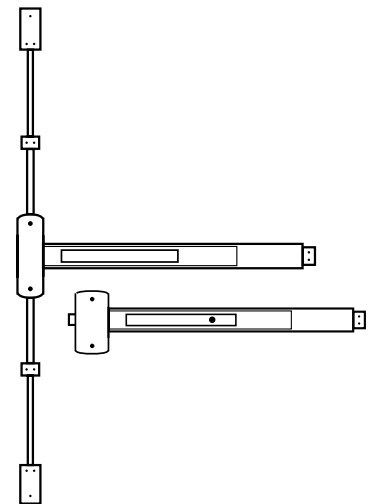
*Specify finish

Through bolts and mortise nuts are furnished in a pack along with the appropriate instruction sheet for device ordered.

To order through bolts and mortise nuts with an exit device, add suffix TB to trim pack.

Example: 3727 x TB x EN
Available finishes: EB, EN, ED, EAB

To order through bolts and mortise nut packs separately, see chart above.



Rod Replacement Kits

Product	Top Rod Kit ++	Bottom Rod Kit +++
3700+	672T	672B

+ Finish Information Required

++ Door Height & Rail Location Required

+++ Rail Location Required

80 Series

Exit Device



8800 Rim Exit Device

80 Series

SARGENT
ASSA ABLOY

8800 Series Rim Exit Device



8800 Features

- Designed for standard width stile applications on wood and metal doors
- Also available as an HC8800 or WS8800 for hurricane-resistant applications, see Hurricane-Resistant section of this catalog
- Single point rim latching device
- Single door & double door applications with mullions
- Quiet operation and solid security
- ANSI/BHMA A156.3 - Grade 1
- UL10C (Fire) and UL305 (Panic) Listed

Specifications 8800 Series Rim Exit Device

Door Type	Metal Doors
Door Thickness	1-3/4" (44mm) minimum thickness. For doors over 1-3/4" to 2 1/4" thick, specify thickness and order as 31-
Stile	4-1/2" (114mm) minimum stile width
Rail sizes as determined by door width	Rails are available in 4 sizes, use door width to determine size needed. Rails will be factory cut to size, if door width is supplied. <ul style="list-style-type: none"> • E Rail for 24" to 32" door widths, No cutting required for 32" door • F Rail for 33" to 36" door widths, No cutting required for 36" door • J Rail for 37" to 42" door widths, No cutting required for 42" door • G Rail for 43" to 48" door widths, No cutting required for 48" door
Strike	649 Standard Black Nylon Coated
Optional Strikes	642, 644 and 613
Dogging Feature	Hex key dogging standard on non fired rated devices; specify 16- for cylinder dogging (#41 cylinder supplied)
Electric Options	AL- Alarm PL- SARGuide Photoluminescent Coated TL- SARGuide Illuminated Touchpad
	49- Indicator 53- LX Latchbolt Monitor 54- Outside Lever Monitoring 55- Request-to-Exit Signal - Rail Monitoring 56- Remote Latch Retraction 57- Delay Egress & Electromagnets 58- Electric Dogging 59- Electroguard – Self Contained Delayed Egress
Mounting Fasteners	Supplied standard with wood and machine screws Available with through-bolts and mortise (sex) nuts
Latch Bolt	Stainless steel, 3/4" (19mm) throw
Device Centerline from Finished Floor	41" (1041 mm) for Standard Applications
Center Case Dimensions	8-3/8" (213mm) x 2-5/8" (67mm)
Projection	Pushbar Neutral – 3" (76 mm) Pushbar Depressed – 2-1/8" (54 mm)
Fire Exit Hardware	See Chart – Page 6

49- Lock/Unlock Indicator Option



- Displays whether the door has been secured by the inside cylinder.
- Red icon indicates locked
- White icon indicates unlocked
- Dogging overrides 49- functionality (must order less dogging)
- Available on 8816 and 8866 functions only

649 Strike



- Supplied standard for panic & fire rated openings
- Surface applied
- Black nylon coated

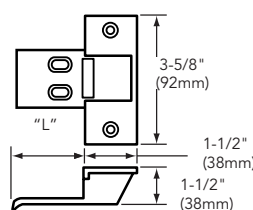
688 Trim Retrofit Kit



- 688 Trim Retrofit kit allows an 8800* Series rim exit with an ET to replace Von Duprin's 98/99 Series exit with trim with minimal door prep.
- * Except for 16 function
- Order as: 688 Kit

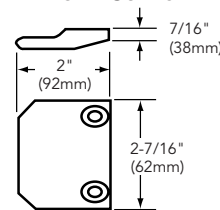
Alternate Strikes For 8800 Rim Devices

642 Strike



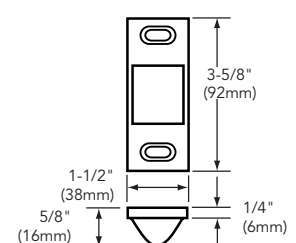
- Mortised. Dimension "L" equals door thickness plus 1/2" (13mm). Black nylon coated on lip only

644 Strike



- Surface applied. For use on pairs of doors without mullion. Ductile Iron. Black nylon coated

613 Strike



- Half mortised. Black nylon coated

Experience a safer and more open world

Copyright © 1998-2021, SARGENT Manufacturing Company. All rights reserved. Reproduction in whole or in part without the express written permission of SARGENT Manufacturing Company is prohibited. Patent pending and/or patent www.assaabloyds.com/patents.

90641 10/21

90 Series

Exit Device



9800 Series Rim Exit Device

90 Series Exit Devices

SARGENT®

ASSA ABLOY



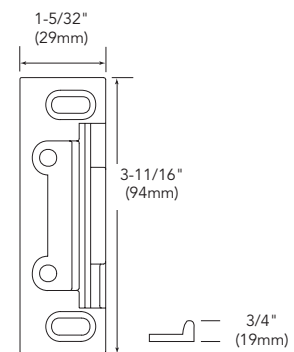
9800 Rim Exit Device

The 9800 Series exit devices are ordered with trim and shipped complete with the strike, screw packs and cylinder as required in one carton. The cross bars are cut to the correct length, based on door width.

Specifications

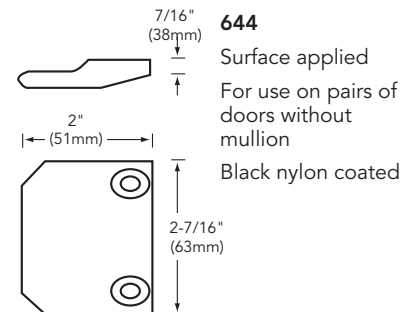
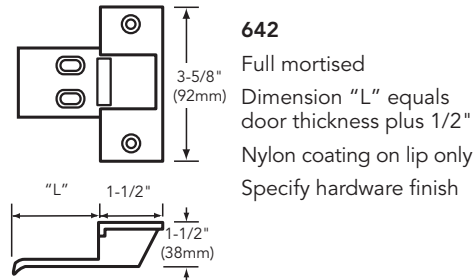
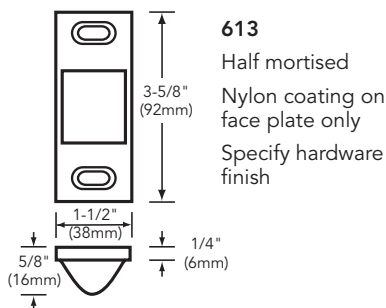
For Doors	Wood or metal. 1-3/4" (44.5mm) thick standard. 2-1/4" (57mm) thick on order. Other door thickness, consult factory. 4-1/8" (105mm) minimum stile
Mounting	Supplied standard with wood and machine screws. Through-bolts available on order.
Chassis Cover	Brass, bronze or stainless steel
Chassis	Nonferrous alloy
Crossbar	1" brass, bronze and stainless steel tubing. Specify 42- for reinforced cross bar.
Hand	Reversible
Dogging	Standard Allen key dogging (Not available on fire rated devices)
Strike	649 standard strike for panic and fire
Fire Exit Hardware	See chart page 3
Certification/Compliance ANSI	ANSI/BHMA156.3 - 2014 Grade 1

649 Strike



- For 9800 and 12-9800
- Supplied standard
- Surface applied
- Black nylon coated

Alternate Strikes for Rim Devices 9800



Copyright © 2006-2021, Sargent Manufacturing Company, an ASSA ABLOY Group company. All rights reserved. Reproduction in whole or in part without the express written permission of Sargent Manufacturing Company is prohibited.