

80 Series

Exit Device



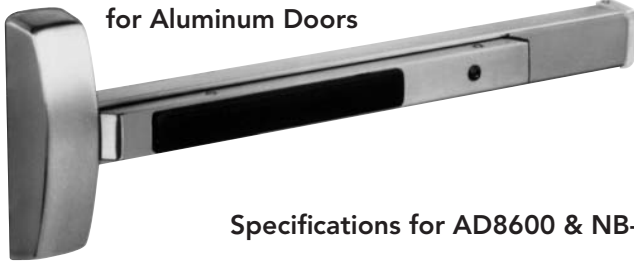
AD8600 and NB-AD8600 Concealed Vertical Rod Exit Device for Aluminum Doors

80 Series

SARGENT
ASSA ABLOY

AD8600 Series

Concealed Vertical Rod Exit Device
for Aluminum Doors



Specifications for AD8600 & NB-AD8600 Series Exit

Features

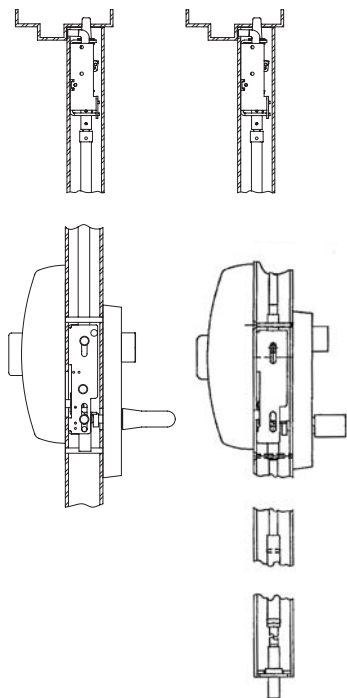
- Designed for standard width stile applications on aluminum doors
- Concealed rods for security and aesthetics
- Single and double door applications
- Specify NB- for less bottom rod
- Devices are ANSI/BHMA A156.3 - Grade 1
- UL305 (Panic) listed only

Door Type	Aluminum Doors
Door Thickness	1-3/4" (44mm) minimum thickness. For doors over 1-3/4" to 2-1/4" thick, specify thickness and order as 31-
Cladding	Available for 1/4" on 1/2" panels. Specify 31- and panel thickness on order. Only available on 1-3/4" door thickness. Must be noted separately from door thickness on order string.
Stile	4-1/2" (114mm) minimum stile width
Rail sizes as determined by door width	Rails are available in 4 sizes, use door width to determine size needed. Rails will be factory cut to size, if door width is supplied <ul style="list-style-type: none"> • E Rail for 24" to 32" door widths, No cutting required for 32" door • F Rail for 33" to 36" door widths, No cutting required for 36" door • J Rail for 37" to 42" door widths, No cutting required for 42" door • G Rail for 43" to 48" door widths, No cutting required for 48" door
Strike	640 Strikes for Top & Bottom Strike
Dogging Feature	Hex key dogging standard on non fired rated devices; specify 16- for cylinder dogging (#41 cylinder supplied)
Electric Options	AL- Alarm PL- SARGuide™ Photoluminescent Coated TL- SARGuide™ Illuminated Touchpad 53- LX Latchbolt Monitor 54- Outside Lever Monitoring 55- Request-to-Exit Signal - Rail Monitoring 56- Remote Latch Retraction 57- Delay Egress & Electromagnets 58- Electric Dogging 59- Electroguard – Self Contained Delayed Egress
Mounting Fasteners	Supplied standard with machine screws
Top Bolt	Stainless steel
Device Centerline from Finished Floor	41" (1041mm) for Standard Applications 38" (965mm) for elementary schools
Door/Opening Height	Must be specified - 120" (3048mm) Max Door Opening
Center Case Dimensions	8-3/8" (213mm) x 2-5/8" (67mm)
Projection	Pushbar Neutral – 3" (76mm) Pushbar Depressed – 2-1/8" (54mm)
Fire Exit Hardware	Not Available

Note: AD8600 can be used as NB- Device by simply not installing the bottom rod/bolt

NB-AD8600

AD8600



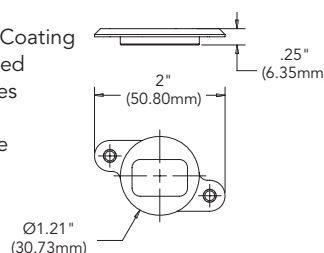
100 Series Aux Control

- Available as an 06 or 13 function
- Supplied with a SARGENT #41 Mortise Cylinder
- Can be used with any SARGENT Mortise Key System



639/640 Strike Kits

- Steel with Black Nylon Coating
- Machine Screws Supplied
- 640 Kit contains 2 strikes (Top & Bottom)
- 639 Kit contains 1 strike (Top Only)



Copyright © 1998-2021, SARGENT Manufacturing Company. All rights reserved. Reproduction in whole or in part without the express written permission of SARGENT Manufacturing Company is prohibited. Patent pending and/or patent www.assaabloydss.com/patents.

90641 10/21

20

1-800-727-5477 • www.sargentlock.com

Experience a safer
and more open world

AD8400 and NB-AD8400 Narrow Stile Concealed Vertical Rod Exit Device for Aluminum Doors

80 Series

SARGENT
ASSA ABLOY

AD8400 Series

Concealed Vertical Rod Exit Device for Aluminum Doors

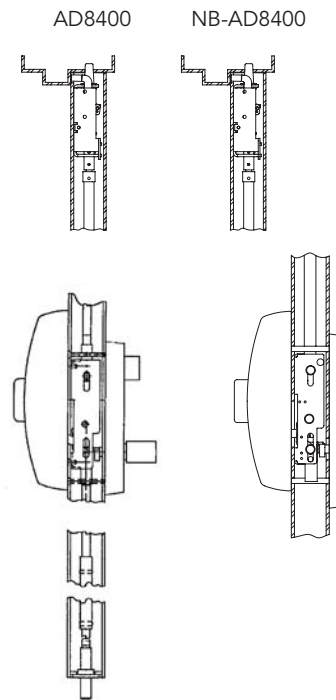


AD8400 & NB-AD8400 Features

- Designed for narrow stile aluminum door applications (e.g., full glass doors)
- Concealed rods for security and aesthetics
- UL10C (Fire) and UL305 (Panic) listed
- Specify NB- for less bottom rod
- NB- device allows free access for wheelchairs and carts. No bottom strike eliminates tripping potential
- All functions determined by outside trim
- Devices are ANSI/BHMA A156.3 - Grade 1

Specifications for AD8400 & NB-AD8400 Exit

Door Type	Hollow or extruded aluminum doors
Door Thickness	1-3/4" (44mm) minimum thickness. For doors over 1-3/4" to 2-1/4" thick, specify thickness and order as 31-
Cladding	Available for 1/4" on 1/2" panels. Specify 31- and panel thickness on order. Only available on 1-3/4" door thickness. Must be noted separately from door thickness on order string.
Stile	1-3/4" (44mm) minimum stile width required. Stile must be hollow with inside dimension of at least 1-3/8" (35mm) square
Rail sizes as determined by door width	Rails are available in 4 sizes, use door width to determine size needed. Rails will be factory cut to size, if door width is supplied <ul style="list-style-type: none"> • E Rail for 24" to 32" door widths • F Rail for 33" to 36" door widths • J Rail for 37" to 42" door widths • G Rail for 43" to 48" door widths
Strike	640 Strike for Top & Bottom
Dogging Feature	Hex key dogging standard on non fired rated devices; specify 16- for cylinder dogging (#41 cylinder supplied)
Electric Options	AL- Alarm PL- SARGuide™ Photoluminescent Coated TL- SARGuide™ Illuminated Touchpad 53- LX Latchbolt Monitor 54- Outside Lever Monitoring 55- Request-to-Exit Signal - Rail Monitoring 56- Remote Latch Retraction 57- Delay Egress & Electromagnets 58- Electric Dogging 59- Electroguard – Self Contained Delayed Egress
Mounting Fasteners	Supplied standard with machine screws
Top Bolt	Stainless steel
Device Centerline from Finished Floor	41" (1041mm) for Standard Applications 38" (965mm) for elementary schools
Door/Opening Height	Must be specified - 120" (3048mm) Max Door Opening
Center Case Dimensions	8-3/8" (213mm) x 2-5/8" (67mm)
Projection	Pushbar Neutral – 3" (76mm) Pushbar Depressed – 2-1/8" (54mm)
Fire Exit Hardware	Not Available



Note: AD8400 can be used as NB- Device by simply not installing the bottom rod/bolt

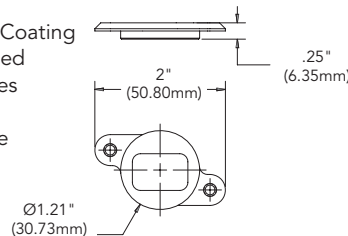
100 Series Aux Control

- Available as an 06 or 13 function
- Supplied with a SARGENT #41 Mortise Cylinder
- Can be used with any SARGENT Mortise Key System



639/640 Strike Kits

- Steel with Black Nylon Coating
- Machine Screws Supplied
- 640 Kit contains 2 strikes (Top & Bottom)
- 639 Kit contains 1 strike (Top Only)

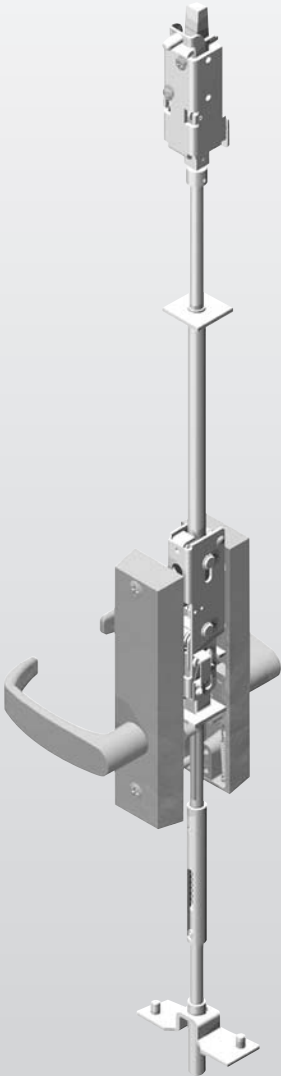


Copyright © 1998-2021, SARGENT Manufacturing Company. All rights reserved. Reproduction in whole or in part without the express written permission of SARGENT Manufacturing Company is prohibited. Patent pending and/or patent www.assaabloydss.com/patents.

90641 10/21

7000 Series

Multi-Point Lock



Features and Specifications

7000 Series Vertical Rod Locks for Aluminum Doors (AD70)

Features

- Designed for aluminum door applications
- Concealed rods offer additional security
- Less bottom rod option available, specified as NB-AD 7000 (For single door applications, consult factory)
- NB- provides free access for wheel chairs and carts
- Single or double door applications

Specifications

For Doors*	Aluminum doors, 1-3/4" (44mm) door thickness standard, 2-3/4" minimum stile for single doors, 2-1/2" minimum stile for double doors, 7/8" backset standard for double doors, 1-1/8" backset for single doors
Mounting	Supplied fasteners are for metal doors with through-bolts for trim
Hand	Field reversible; specify RHR, LHR, RH or LH
Top and Bottom Bolts	Stainless steel. Top and bottom bolt travels 7/16" (11mm) Projection adjustable up to 1" (25mm)
Latching	Top and bottom (AD 7000) or Top only (NB-AD 7000)
Fire Exit Hardware	See Chart page 1
Trim	ET, ER & ES Controls are available with all lever designs. 100 Series Auxiliary Control offer cylinder override for 01, 10, 40, 73 & 74 function devices
Functions	01, 06, 10, 13, 15, 16 40, 43, 46 Freewheeling 73, 74, Electrical+
Strikes	640 Top and Bottom Strike, 639 Top Strike only, standard
Cylinder	#41 Mortise Cylinder

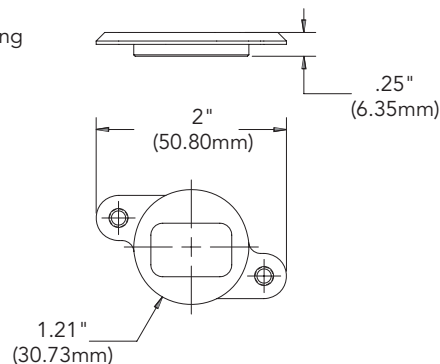
* Consult door manufacturer
+ See page 10 for details

When ordering always specify:

- Opening height (Standard opening height 96")
- AFF - Above Finished Floor - Centerline of lever to finished floor or threshold (Standard 35-7/8" AFF)

639/640 Strike Kits

- Steel with Black Nylon Coating
- Machine Screws Supplied
- 640 Kit contains 2 strikes (Top & Bottom)
- 639 Kit contains 1 strike (Top Only)



701515 x ETL
Shown

