

Accessories for Parallel Applications

351 Series Powerglide®

SARGENT
ASSA ABLOY

Heavy Duty Parallel Arm Accessories

581-2 Blade Stop Spacer Kit



- For frames with 1/2" blade stops
 - For use with P10, PH10, PS, PSH, CPS and CPSH arms
 - 125-V bracket included
 - Packed with 1-1/4" long screws
- Use P/N 63-0756 to order blade stop only

125-V/125-VF Brackets



125-V

- For use with all heavy duty parallel arms
- Use 125-V for narrow stop and frame conditions
- Use 125-VF for flush door and frame conditions



125-VF

Spacer 63-0191

- 1/2" x 5/8"
- Included standard with PS, PSH, PH10, P-10 CPS and CPSH arm for use with rabbited frames



Regular Duty Parallel Arm Accessories

125-P3 Arm Conversion Unit

- Converts O or P9 arm to P3 Parallel Arm



125-P3A Arm Conversion Unit

- Converts O or P9 Arm to P3A Parallel Arm



125-PH9 Parallel Arm Foot

- Converts standard hold open (H) arm to PH9 Parallel Hold Open Arm



125-P4 Conversion Unit

- Converts O or P9 Arm to P4A Arm



125-P4A Arm Conversion Unit

- Converts O or P9 arm to P4A Arm



581-1 Blade Stop Spacer Kit

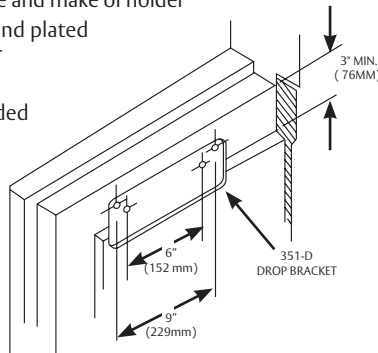
- For frames with 1/2" blade stops
- For use with P9, PH9 and PF9 arms only
- Packed with 1-1/4" long screws



Regular Duty Parallel Arm Accessories

351-D Drop Plate

- Permits mounting parallel arm 351 Series Closer applications on doors with narrow top rails
- Requires 3" (76mm) minimum top rail
- For closers used with overhead stops and holders, top rail requirements will vary depending upon type and make of holder
- Available with powder coat and plated finishes to match door closer
- Plates are not handed
- Plate mounting screws included
- Order as 351-D x finish



351L - LCN RETROFIT Plate

The 351L allows replacement of LCN 4040 closer body with a SARGENT 351 without drilling new holes in door (**Note:** New mounting holes required for arm bracket only)

- 351L Retrofit Plate:
 - Can be used with these parallel arms
 - P9 – Regular Duty Parallel Arm
 - P10 – Heavy Duty Parallel Arm
- Plates are non-handed
- Available in powder coat and plated finishes
- Order as: 351L x finish



Accessories for Parallel Applications

1431 Series Powerglide®

SARGENT
ASSA ABLOY

Heavy Duty Parallel Accessories

581-2 Blade Stop Spacer Kit



- For frames with 1/2" blade stops
- For use with P10, PH10, PS, PSH, CPS and CPSH arms
- 125-V bracket included
- Packed with 1-1/4" long screws
- Use P/N 64-0157 to order blade stop only

125-V/125-VF Brackets



125-V

- For use with all heavy duty parallel arms
- Use 125-V for narrow stop and frame conditions
- Use 125-VF for flush door and frame conditions



125-VF

Spacer 63-0191

- 1/2" x 5/8"
- Included standard with PS, PSH, PH10, P-10 CPS and CPSH arm for use with rabbited frames



Regular Duty Parallel Accessories

125-P3 Arm Conversion Unit

- Converts O or P9 arm to P3 Parallel Arm



125-P3A Arm Conversion Unit

- Converts O or P9 Arm to P3A Parallel Arm



125-PH9 Parallel Arm Foot

- Converts standard hold open (H) arm to PH9 Parallel Hold Open Arm



125-P4 Conversion Unit

- Converts O or P9 Arm to P4A Arm



125-P4A Arm Conversion Unit

- Converts O or P9 arm to P4A Arm



581-1 Blade Stop Spacer Kit



- For frames with 1/2" blade stops
- For use with P9, PH9 and PF9 arms only
- Packed with 1-1/4" long screws

Miscellaneous Accessories

1431 J Cover Plate

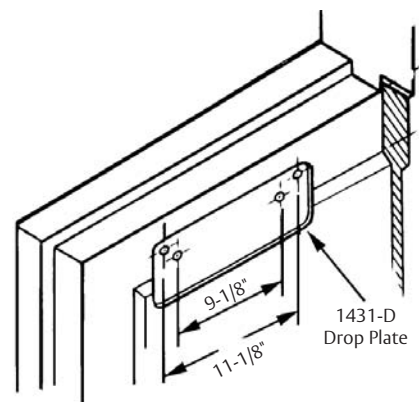


- Can be used to improve appearance when narrow door rail permits closer to be viewed through glass panel

1431 Drop Plate



- Required for parallel arm applications with top rails less than 5-3/4"
- Requires 3" (76mm) minimum top rail
- Available with powder coat or plated finish to match closer
- Non-handed – Plate mounting screws included
- Order as 1431-D x finish



Copyright © 2004-2021, SARGENT Manufacturing Company. All rights reserved. Reproduction in whole or in part without the express written permission of SARGENT Manufacturing Company is prohibited. Patent pending and/or patent www.assaabloy.com/patents.

Accessories For Parallel Applications

281 Series Powerglide®

SARGENT
ASSA ABLOY

Heavy Duty Parallel Arm Accessories

581-2 Blade Stop Spacer Kit



- For frames with 1/2" blade stops
- For use with P10, PH10, PS, PSH, CPS and CPSH arms
- 125-V bracket included
- Packed with 1-1/4" long screws
- Use P/N 64-0157 to order blade stop only

125-V/125-VF Brackets



125-V

- For use with all heavy duty parallel arms
- Use 125-V for narrow stop and frame conditions
- Use 125-VF for flush door and frame conditions



125-VF

Spacer 63-0191

- 1/2" x 5/8"
- Included standard with PS, PSH, PH10, P-10 CPS and CPSH arm for use with rabbited frames



Regular Duty Parallel Accessories

125-P3 Arm Conversion Unit

- Converts O or P9 arm to P3 Parallel arm



125-P3 Arm Conversion Unit

- Converts O or P9 arm to P3 Parallel arm



125-P3A Arm Conversion Unit

- Converts O or P9 arm to P3A Parallel arm



125-PH9 Parallel Arm Foot

- Converts standard hold open (H) arm to PH9 Parallel Hold Open Arm



125-P4 Conversion Unit

- Converts O or P9 arm to P4A arm



125-P4A Arm Conversion Unit

- Converts O or P9 arm to P4A arm



581-1 Blade Stop Spacer Kit



- For frames with 1/2" blade stops
- For use with P9, PH9 and PF9 arms only
- Packed with 1-1/4" long screws

Miscellaneous Accessories

281-J Cover Plate

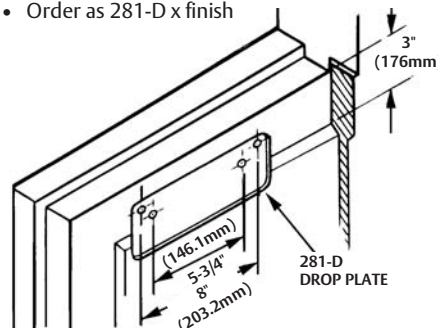


- Can be used to improve appearance when narrow door rail permits closer to be viewed through glass panel
- Use 281-J-2 plate when retrofitting 250/251 Series door closer

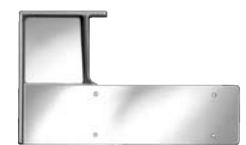
281-D Drop Plate



- Required for parallel arm applications when top rails are less than 5 3/4"
- Requires 3" (76mm) minimum top rail
- Available with powder coat or plated finish to match closer
- Non-handed – Plate mounting screws included
- Order as 281-D x finish



281-W Corner Bracket



- Fastens securely to both the head and jamb
- Malleable iron, painted to match closer finish
- Non-handed
- Requires 1-1/4" (32mm) minimum wide stop
- Order as 281-W x finish

Covers

- Available in plastic (standard), ABS, Metal, or Lead Lined
- Lead Lined covers are available as a special. Consult factory for pricing