

# Applications & Accessories

## 1131 Series Door Closers

### Top Jamb Application

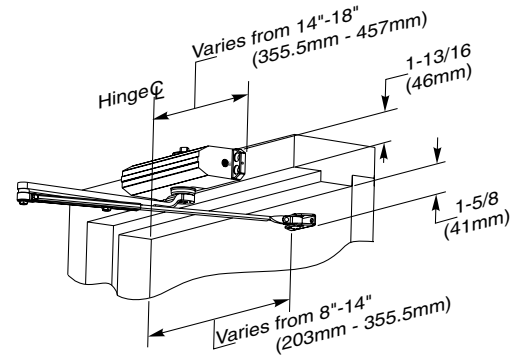
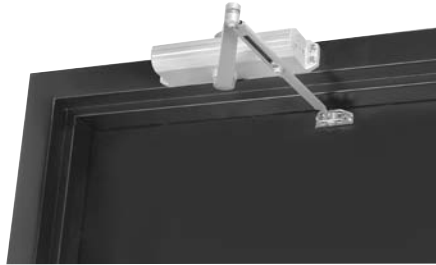
Closer mounts on top casing of push side of door.

As door opens, closer arm swings with door. Mounting for reveals up to 3".

Provides maximum power allowing door to open 100°. Holding range of holder arm (hold open arm): 85°-100°.

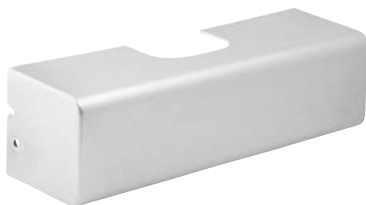
**Alternate mounting:** Closer installed to allow hinge to allow for 180° opening reveals less than 2". Range of hold open arm from 85-180°.

**Minimum rail width** on top casing required is 1-3/4". Minimum door rail width required to mount closer foot is 2-1/4", when frame without head stop is used (flush header).



Consult factory if door weight exceeds 250 lbs.

### Optional Accessories



Full size non-handed high Impact cover secured by two machine screws

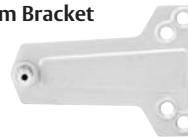
Specify suffix "C" when ordering.

To order cover separately, use P/N 60-0535 x finish

### Brackets (Included)

#### Regular Parallel "RU" Arm Bracket

Converts regular standard arm to parallel arm



#### Hold-Open "HU" Arm Bracket

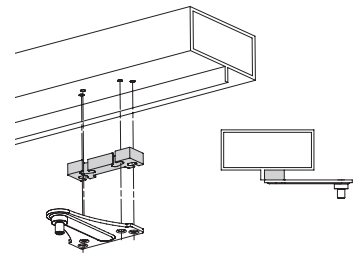
Converts the hold-open standard arm to hold-open parallel arm



### 581-1 Blade Stop Kit

Kit includes longer fasteners and 1/2" thick metal spacer for use with 1/2" blade stops commonly found on store front aluminum frames

Used with JP9 and JHP9 arms

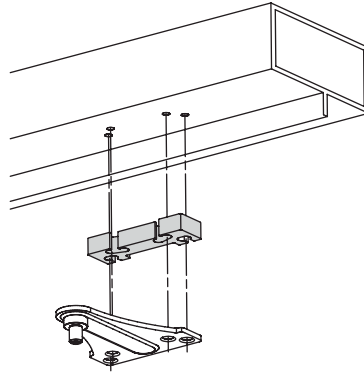


Copyright © 2016-2019, SARGENT Manufacturing Company. All rights reserved. Reproduction in whole or in part without the express written permission of SARGENT Manufacturing Company is prohibited. Patent pending and/or patent: www.assaabloydss.com/patents.

# Accessories

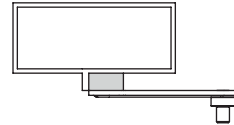
## 1331 Series Door Closers

581-1 Blade Stop Kit

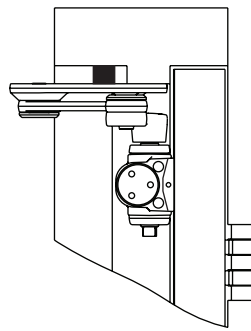


Kit includes longer fasteners and 1/2" thick metal spacer for use with 1/2" blade stops commonly found on store front aluminum frames.

Used with JP9 and JPH9 Arms.



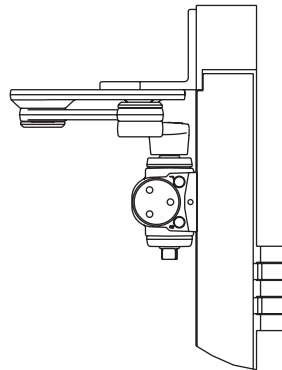
582-1 Spacer Block



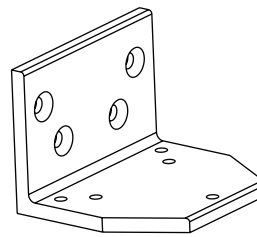
Use where a narrow frame soffit does not provide adequate support for the soffit plate.



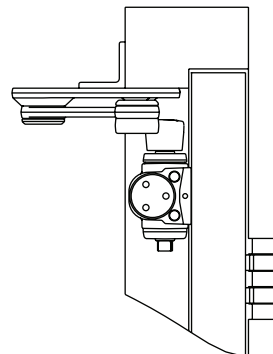
125JV Angle Bracket



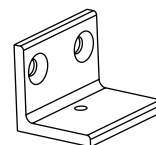
Used where flush transom conditions prevent mounting of standard soffit plate. Used with the standard soffit plate.



125JV Support Bracket



Used where the frame is narrow and the soffit plate cannot be mounted directly to the frame soffit or rabbet. Used on frames where the frame stop does not exceed 5/8" in height.



# Accessories for Parallel Applications

## 351 Series Powerglide®

### Heavy Duty Parallel Arm Accessories

#### 581-2 Blade Stop Spacer Kit



- For frames with 1/2" blade stops
  - For use with P10, PH10, PS, PSH, CPS and CPSH arms
  - 125-V bracket included
  - Packed with 1-1/4" long screws
- Use P/N 63-0756 to order blade stop only

#### 125-V/125-VF Brackets



##### 125-V

- For use with all heavy duty parallel arms
- Use 125-V for narrow stop and frame conditions
- Use 125-VF for flush door and frame conditions



##### 125-VF

#### Spacer 63-0191

- 1/2" x 5/8"
- Included standard with PS, PSH, PH10, P-10 CPS and CPSH arm for use with rabbited frames



### Regular Duty Parallel Arm Accessories

#### 125-P3 Arm Conversion Unit

- Converts O or P9 arm to P3 Parallel Arm



#### 125-P3A Arm Conversion Unit

- Converts O or P9 Arm to P3A Parallel Arm



#### 125-PH9 Parallel Arm Foot

- Converts standard hold open (H) arm to PH9 Parallel Hold Open Arm



#### 125-P4 Conversion Unit

- Converts O or P9 Arm to P4A Arm



#### 125-P4A Arm Conversion Unit

- Converts O or P9 arm to P4A Arm



#### 581-1 Blade Stop Spacer Kit

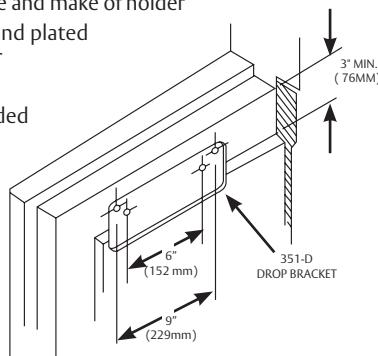
- For frames with 1/2" blade stops
- For use with P9, PH9 and PF9 arms only
- Packed with 1-1/4" long screws



### Regular Duty Parallel Arm Accessories

#### 351-D Drop Plate

- Permits mounting parallel arm 351 Series Closer applications on doors with narrow top rails
- Requires 3" (76mm) minimum top rail
- For closers used with overhead stops and holders, top rail requirements will vary depending upon type and make of holder
- Available with powder coat and plated finishes to match door closer
- Plates are not handed
- Plate mounting screws included
- Order as 351-D x finish



#### 351L - LCN RETROFIT Plate

The 351L allows replacement of LCN 4040 closer body with a SARGENT 351 without drilling new holes in door (**Note:** New mounting holes required for arm bracket only)

- 351L Retrofit Plate:
  - Can be used with these parallel arms
    - P9 – Regular Duty Parallel Arm
    - P10 – Heavy Duty Parallel Arm
- Plates are non-handed
- Available in powder coat and plated finishes
- Order as: 351L x finish



# Accessories for Parallel Applications

1431 Series Powerglide®

**SARGENT**  
**ASSA ABLOY**

## Heavy Duty Parallel Accessories

### 581-2 Blade Stop Spacer Kit



- For frames with 1/2" blade stops
- For use with P10, PH10, PS, PSH, CPS and CPSH arms
- 125-V bracket included
- Packed with 1-1/4" long screws
- Use P/N 64-0157 to order blade stop only

### 125-V/125-VF Brackets



**125-V**

- For use with all heavy duty parallel arms
- Use 125-V for narrow stop and frame conditions
- Use 125-VF for flush door and frame conditions



**125-VF**

### Spacer 63-0191

- 1/2" x 5/8"
- Included standard with PS, PSH, PH10, P-10 CPS and CPSH arm for use with rabbited frames



## Regular Duty Parallel Accessories

### 125-P3 Arm Conversion Unit

- Converts O or P9 arm to P3 Parallel Arm



### 125-P3A Arm Conversion Unit

- Converts O or P9 Arm to P3A Parallel Arm



### 125-PH9 Parallel Arm Foot

- Converts standard hold open (H) arm to PH9 Parallel Hold Open Arm



### 125-P4 Conversion Unit

- Converts O or P9 Arm to P4A Arm



### 125-P4A Arm Conversion Unit

- Converts O or P9 arm to P4A Arm



### 581-1 Blade Stop Spacer Kit



- For frames with 1/2" blade stops
- For use with P9, PH9 and PF9 arms only
- Packed with 1-1/4" long screws

## Miscellaneous Accessories

### 1431 J Cover Plate

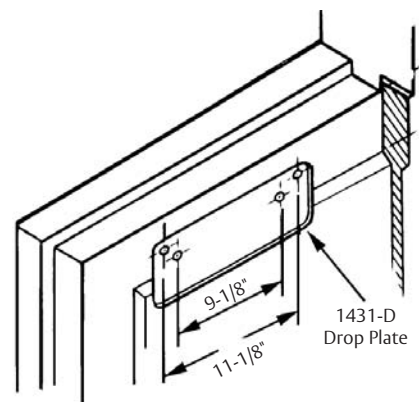


- Can be used to improve appearance when narrow door rail permits closer to be viewed through glass panel

### 1431 Drop Plate



- Required for parallel arm applications with top rails less than 5-3/4"
- Requires 3" (76mm) minimum top rail
- Available with powder coat or plated finish to match closer
- Non-handed – Plate mounting screws included
- Order as 1431-D x finish



Copyright © 2004-2021, SARGENT Manufacturing Company. All rights reserved. Reproduction in whole or in part without the express written permission of SARGENT Manufacturing Company is prohibited. Patent pending and/or patent www.assaabloy.com/patents.

# Accessories For Parallel Applications

281 Series Powerglide®

**SARGENT**  
**ASSA ABLOY**

## Heavy Duty Parallel Arm Accessories

### 581-2 Blade Stop Spacer Kit



- For frames with 1/2" blade stops
- For use with P10, PH10, PS, PSH, CPS and CPSH arms
- 125-V bracket included
- Packed with 1-1/4" long screws
- Use P/N 64-0157 to order blade stop only

### 125-V/125-VF Brackets



**125-V**

- For use with all heavy duty parallel arms
- Use 125-V for narrow stop and frame conditions
- Use 125-VF for flush door and frame conditions



**125-VF**

### Spacer 63-0191

- 1/2" x 5/8"
- Included standard with PS, PSH, PH10, P-10 CPS and CPSH arm for use with rabbited frames



## Regular Duty Parallel Accessories

### 125-P3 Arm Conversion Unit

- Converts O or P9 arm to P3 Parallel arm



### 125-P3 Arm Conversion Unit

- Converts O or P9 arm to P3 Parallel arm



### 125-P3A Arm Conversion Unit

- Converts O or P9 arm to P3A Parallel arm



### 125-PH9 Parallel Arm Foot

- Converts standard hold open (H) arm to PH9 Parallel Hold Open Arm



### 125-P4 Conversion Unit

- Converts O or P9 arm to P4A arm



### 125-P4A Arm Conversion Unit

- Converts O or P9 arm to P4A arm



### 581-1 Blade Stop Spacer Kit



- For frames with 1/2" blade stops
- For use with P9, PH9 and PF9 arms only
- Packed with 1-1/4" long screws

## Miscellaneous Accessories

### 281-J Cover Plate

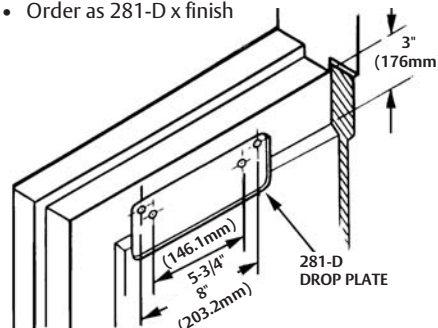


- Can be used to improve appearance when narrow door rail permits closer to be viewed through glass panel
- Use 281-J-2 plate when retrofitting 250/251 Series door closer

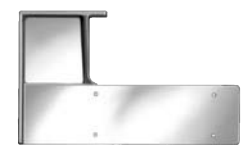
### 281-D Drop Plate



- Required for parallel arm applications when top rails are less than 5 3/4"
- Requires 3" (76mm) minimum top rail
- Available with powder coat or plated finish to match closer
- Non-handed – Plate mounting screws included
- Order as 281-D x finish



### 281-W Corner Bracket



- Fastens securely to both the head and jamb
- Malleable iron, painted to match closer finish
- Non-handed
- Requires 1-1/4" (32mm) minimum wide stop
- Order as 281-W x finish

### Covers

- Available in plastic (standard), ABS, Metal, or Lead Lined
- Lead Lined covers are available as a special. Consult factory for pricing