

SARGENT®

ASSA ABLOY

351EHT Series Parts Manual

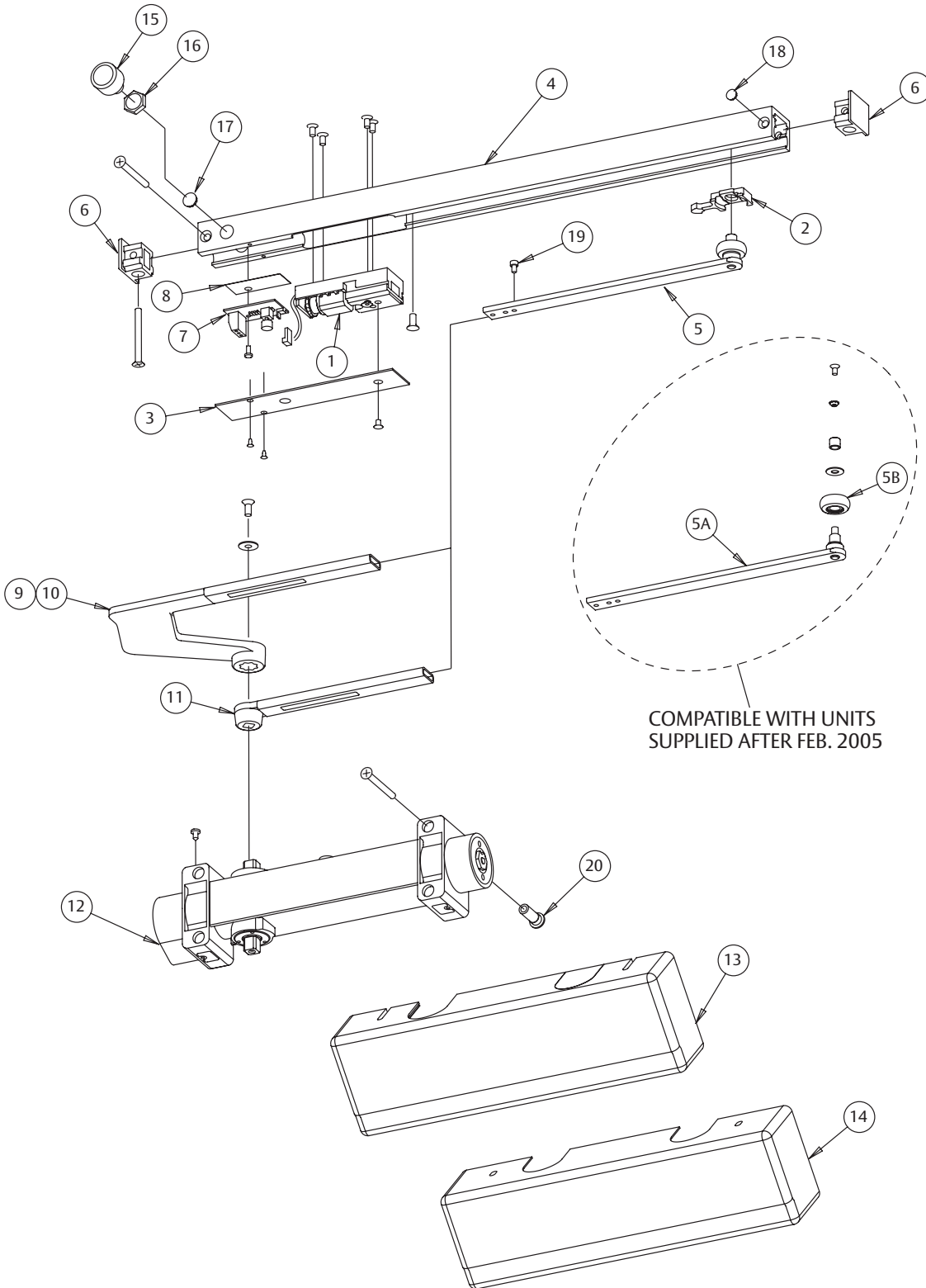


For assistance, contact SARGENT at
800-727-5477 or www.sargentlock.com

⚠ WARNING

This product can expose you to lead which is known to the state of California to cause cancer and birth defects or other reproductive harm. For more information go to www.P65warnings.ca.gov.

08/2018



90906-A 03/22

The warranty on SARGENT® products becomes void if the product is modified in any way, regardless of whether the modification causes or contributes to any alleged defect. If a SARGENT product is modified it may no longer meet industry certification and quality control standards applicable to the original product and is no longer a genuine SARGENT product.

Copyright © 2022 Sargent Manufacturing Company, an ASSA ABLOY Group company. All rights reserved. Reproduction in whole or in part without the express written permission of Sargent Manufacturing Company is prohibited.

2900 Fire Guard
2469, 2479
Pull Side & Double Egress



Item No.	Part No.	Description	Req.	Assembly No.
1	63-4201	Latch Assembly	1	63-4200* EHT Track Assembly
2	63-0704	Slide	1	
3	63-0716*	Latch Cover	1	
4	63-0715*	Channel	1	
5	63-4206*	Arm And Roller Assembly	1	
5a	63-4276*	Arm And Stud Assembly	1	
5b	63-3900	Roller Assembly	1	
6	63-0682*	End Cap	2	
7	63-4202	Circuit Board	1	
8	63-0727	Circuit Board, Insulator	1	
9	63-3057*	Double Egress Arm, Left Handed	1	
10	63-3056*	Double Egress Arm, Right Handed (Shown)	1	
11	63-2874*	Main Arm	1	
12	63-3681	351 Case Assembly	1	
13	351-C*	Standard Plastic Cover (Non-Handed)	1	
14	351-CMC*	Optional - Metal Cover (Handed)	1	
15		Conduit Adapter	1	63-4211* Parts Pack
16		Conduit Adapter Nut	1	
17		Conduit Hole Plug 1/2"	2	
18		Hole Plug 1/4"	4	
19		Adjusting Rod Screw	1	
20	4TB*	Mortise Nut Pack (1-3/4" Door Thickness)	1	
	60-2178*	Mortise Nut Pack (2-1/4" Door Thickness)	1	
	63-4213*	Security Torx Head Machine Screw Pack	1	
	63-4212*	Screw Pack	1	

*Finish Required (Finishes: EB, EN, ED, EP, EAB)

Experience a safer
and more open world

The warranty on SARGENT® products becomes void if the product is modified in any way, regardless of whether the modification causes or contributes to any alleged defect. If a SARGENT product is modified it may no longer meet industry certification and quality control standards applicable to the original product and is no longer a genuine SARGENT product.

Copyright © 2022 Sargent Manufacturing Company, an ASSA ABLOY Group company. All rights reserved. Reproduction in whole or in part without the express written permission of Sargent Manufacturing Company is prohibited.

The ASSA ABLOY Group is the global leader in access solutions. Every day, we help billions of people experience a more open world.

ASSA ABLOY Opening Solutions leads the development within door openings and products for access solutions in homes, businesses and institutions. Our offering includes doors, frames, door and window hardware, mechanical and smart locks. access control and service.

SARGENT[®]
ASSA ABLOY

SARGENT Manufacturing Company
100 Sargent Drive
New Haven, CT 06511 USA
800-727-5477
www.sargentlock.com

Founded in the early 1800s, SARGENT[®] is a market leader in locksets, cylinders, door closers, exit devices, electro-mechanical products and access control systems for new construction, renovation, and replacement applications. The company's customer base includes commercial construction, institutional, and industrial markets.

Copyright © 2022, Sargent Manufacturing Company, an ASSA ABLOY Group company. All rights reserved. Reproduction in whole or in part without the express written permission of Sargent Manufacturing Company is prohibited. Patent pending and/or patent www.assaabloyds.com/patents.

90906:A 03/22