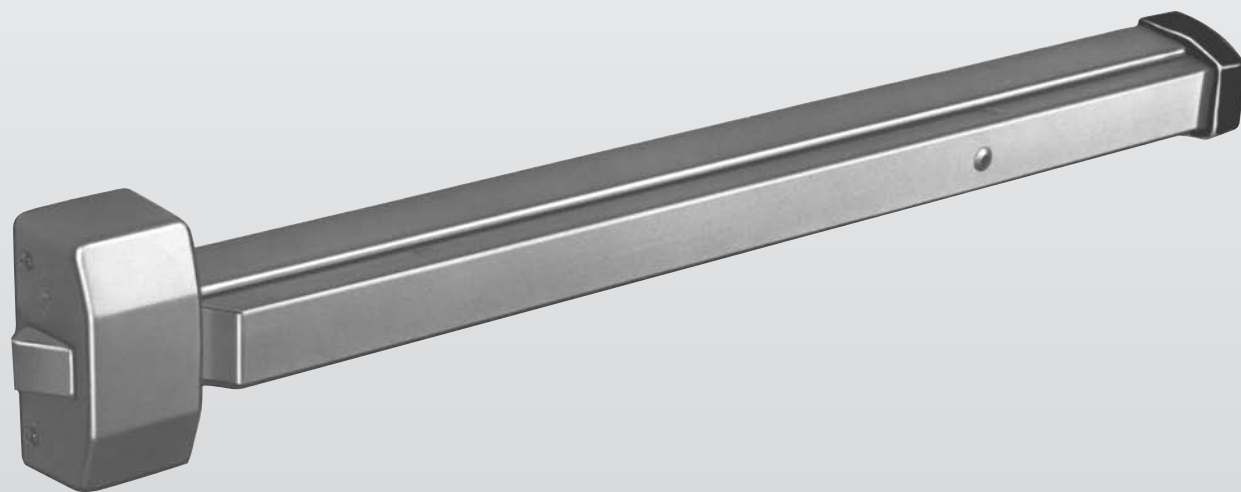


## 20 Series Exit Device

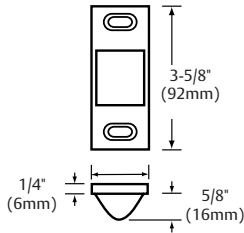


# Alternate Strikes and Shim Kits

## 20 Series Exit Device

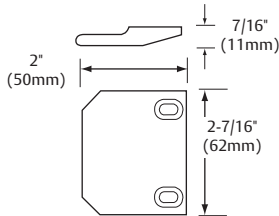
### Alternate Strikes

#### 613 Strike (Alternative for 2828)



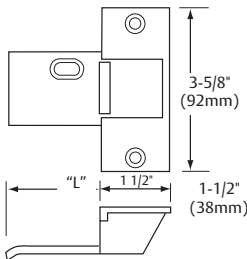
Half mortised. Nylon coating on face plate only. Minimum stile 4". When ordered separately, specify finish.

#### 644 Strike (Alternative for 2828)



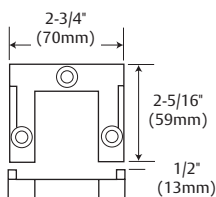
Surface applied. For use on pair of doors without mullion. Specify outside finish when ordered separately.

#### 642 Strike (Alternative for 2828)



Full mortised dimension "L" equals door thickness plus 1/2" (13mm).

#### 653 Bottom Strike (Alternate for 12-2727)



Available on order for 12-2727. For use with 1/2" (13mm) high threshold. Cut threshold to fit strike. Stainless steel. Furnished with expansion shields.

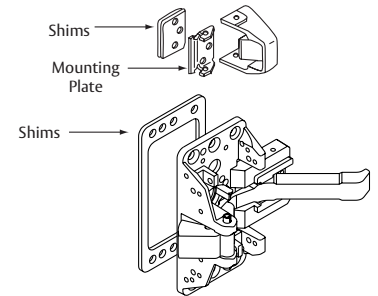
### Glass Bead Shim Kits

558 for 2828 and 12-2828 Exit Devices

559 for 2727 and 12-2727 Exit Devices

Note: When ordering shim kits for exits with outside trim, spindle length, thumbpiece length and through bolt length must be increased accordingly.

(2 pieces 1/8" shim supplied. 1/4" total.)



### Through Bolt (TB) Applications

| Device         | Door Thickness | *Ordering Number |
|----------------|----------------|------------------|
| 2727           | 1-3/4" (44mm)  | 28-2031          |
|                | 2-1/4" (57mm)  | 28-2032          |
| 12-2727        | 1-3/4" (44mm)  | 28-2078          |
|                | 2-1/4" (57mm)  | 28-2088          |
| 2828 & 12-2828 | 1-3/4" (44mm)  | 28-2024          |
|                | 2-1/4" (57mm)  | 28-2025          |

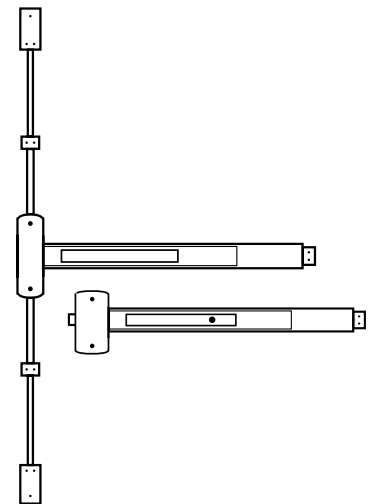
\*Specify finish

Through bolts and mortise nuts are furnished in a pack along with the appropriate instruction sheet for device ordered.

To order through bolts and mortise nuts with an exit device, add suffix TB to trim pack.

**Example: 2727 x TB x EN**  
Available finishes: EB, EN, ED, EAB

**To order through bolt and mortise nut packs separately, see chart above.**



### Rod Replacement Kits

| Product | Top Rod Kit ++ | Bottom Rod Kit +++ |
|---------|----------------|--------------------|
| 2700+   | 672T           | 672B               |

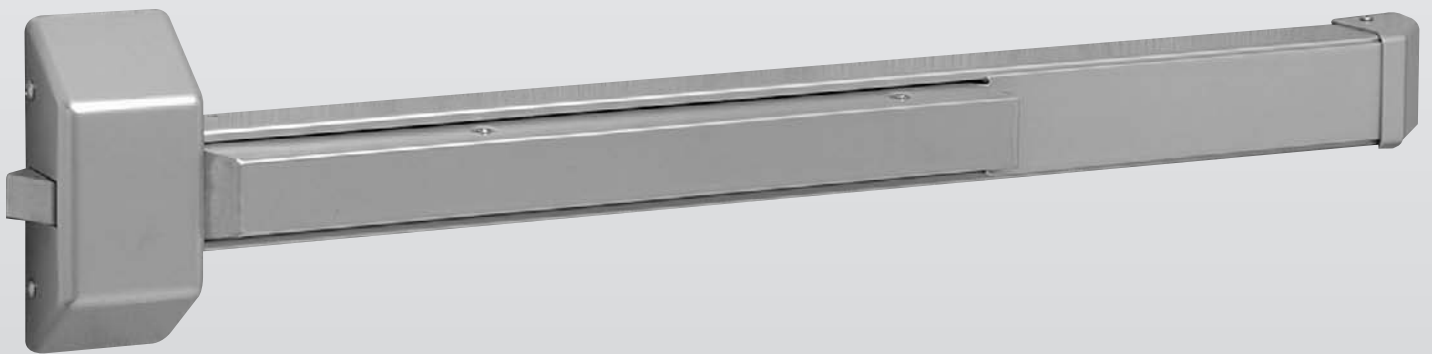
+ Finish Information Required

++ Door Height & Rail Location Required

+++ Rail Location Required

# 30 Series

## Exit Device

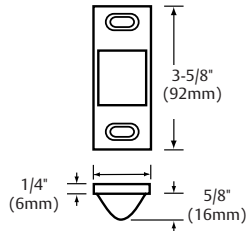


# Alternate Strikes and Shim Kits

## 30 Series Exit Device

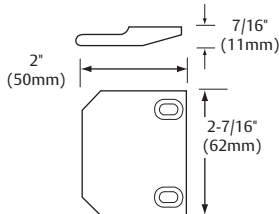
### Alternate Strikes

#### 613 Strike (Alternative for 3828)



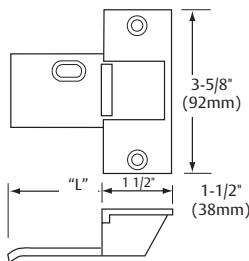
Half mortised. Nylon coating on face plate only. Minimum stile 4". When ordered separately, specify finish.

#### 644 Strike (Alternative for 3828)



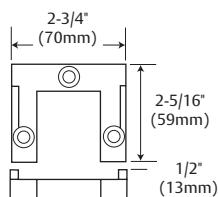
Surface applied. For use on pair of doors without mullion. Specify outside finish when ordered separately.

#### 642 Strike (Alternative for 3828)



Full mortised Dimension "L" equals door thickness plus 1/2" (13mm).

#### 653 Bottom Strike (Alternate for 12-3727)



Available on order for 12-3727. For use with 1/2" (13mm) high threshold. Cut threshold to fit strike. Stainless steel. Furnished with expansion shields.

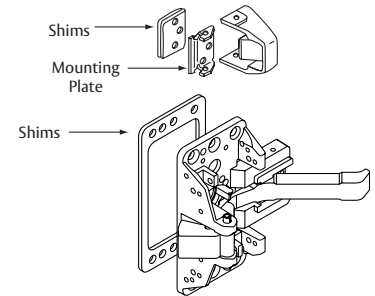
### Glass Bead Shim Kits

558 for 3828 and 12-3828 Exit Devices

559 for 3727 and 12-3727 Exit Devices

Note: When ordering shim kits for exits with outside trim, spindle length, thumbpiece length and through bolt length must be increased accordingly.

(2 pieces 1/8" shim supplied. 1/4" total.)



### Through Bolt (TB) Applications

| Device         | Door Thickness | *Ordering Number |
|----------------|----------------|------------------|
| 3727           | 1-3/4" (44mm)  | 28-2031          |
|                | 2-1/4" (57mm)  | 28-2032          |
| 12-3727        | 1-3/4" (44mm)  | 28-2078          |
|                | 2-1/4" (57mm)  | 28-2088          |
| 3828 & 12-3828 | 1-3/4" (44mm)  | 28-2024          |
|                | 2-1/4" (57mm)  | 28-2025          |

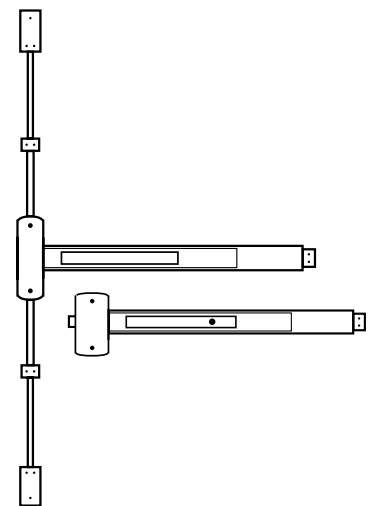
\*Specify finish

Through bolts and mortise nuts are furnished in a pack along with the appropriate instruction sheet for device ordered.

To order through bolts and mortise nuts with an exit device, add suffix TB to trim pack.

**Example: 3727 x TB x EN**  
Available finishes: EB, EN, ED, EAB

To order through bolts and mortise nut packs separately, see chart above.



### Rod Replacement Kits

| Product | Top Rod Kit ++ | Bottom Rod Kit +++ |
|---------|----------------|--------------------|
| 3700+   | 672T           | 672B               |

+ Finish Information Required

++ Door Height & Rail Location Required

+++ Rail Location Required