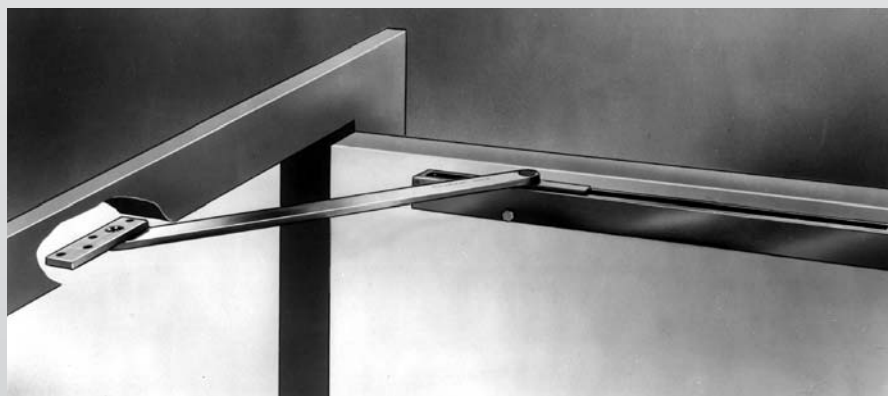


Holders & Stops



Holders & Stops

Overview.....3
 General Information.....4
 Features and Details.....5
 590 Series Heavy Duty Overhead Surface Mount6
 690 Series Heavy Duty Overhead Concealed Mount.....7
 1540 Series Standard Duty Overhead Surface Mount.....8
 1530 Series Standard Duty Overhead Concealed Mount.....9
 1560 Series Electromagnetic Door Holders 10
 Overhead Holder & Stop Installations..... 11
 Finishes & Door Closer Compatibility Chart 12

Copyright © 2003-2018, Sargent Manufacturing Company, an ASSA ABLOY Group company. All rights reserved.
 Reproduction in whole or in part without the express written permission of Sargent Manufacturing Company is prohibited.

On the Cover

590 Series Heavy Duty Surface Mount Overhead Holder
 1561 Electromagnetic Wall Mount Door Holder

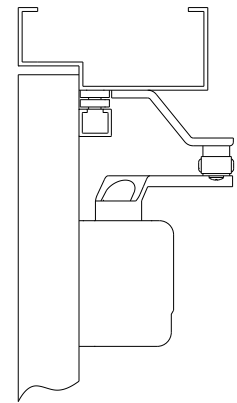
Introduction to SARGENT Overhead Holders & Stops

SARGENT overhead stops/holders are designed to protect the door and hardware from the abuse commonly found in commercial and institutional applications. With different series that include surface or concealed, standard or heavy duty, SARGENT has a stop/holder for every application.

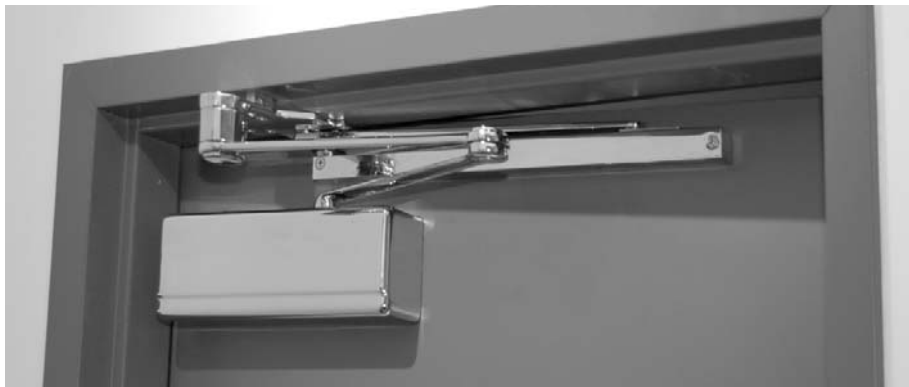
Overhead stops/holders are the most robust method of stopping a door while eliminating unsightly wall stops and floor stops. An overhead door stop protects the opening by effectively distributing abusive forces. Some door closers are available with stops/holders incorporated into them and work well in most cases, but continuous abuse can lead to frame and hinge failure. SARGENT overhead stops/holders are designed and manufactured for many years of service. The 590, 690, 1530 and 1540 series come with a 5 year warranty.

Applications

- Office Buildings
- Assisted Living Facilities
- Hotel Guest Rooms
- Public Housing
- Retail Establishments



1431 P3 Shown with 1548 Stop



281 PD10 with 590 Series stop in a 26 finish

SARGENT Traditional Holders & Stops

General Information

Holders & Stops



Selecting an Overhead Stop/Holder

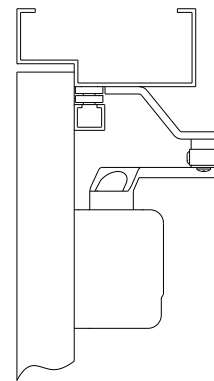
The traditional line of Sargent overhead Holders & Stops is unsurpassed in the industry in regards to aesthetic details and quality. The 590 heavy-duty surface applied and 690 concealed heavy-duty series are designed for use on exterior doors and highly abused interior doors. The 1530 concealed series and the 1540 surface applied series are designed for use on interior doors.

All stops/holders are templated and installed for a particular degree of opening ranging between 85° to 110°. All SARGENT overhead holders/stops include a heavy duty spring designed to gradually absorb impact forces over a 3° to 9° of opening. When using holders and stops on doors opening against a wall or back to back, they should be templated/installed to eliminate the trim from coming into contact with the walls or each other.

When using vertical rod exit devices and or surface/flush bolts, use caution in choosing the proper size to ensure compatibility.



281 PD10 with 590 Series stop in a 26 finish



1431 P3 Shown with 1548 Stop

Warranty

All 590, 690, 1530 and 1540 Series Holders and Stops carry a 5 year limited warranty for defects.

SARGENT Traditional Holders & Stops

Features and Details

Holders & Stops

SARGENT[®]
ASSA ABLOY

Attention to detail and rugged design has made the SARGENT line of overhead stops and holders the premier door control products in the industry today. Our finely finished holders and stops are built from heavy gauge materials with attention to every detail. This produces a product that is strong and aesthetically pleasing.



Finished pivots



Decorative turn knob
finished same as track



Finished end caps recessed in channel

Features

- ANSI/BHMA Certified: All 590 and 690 series holders & stops are ANSI/BHMA Grade 1 Certified
- Heavy duty architectural bronze construction
- UL Classified: The 590, 690, 1530 and 1540 stops are UL 10B and UL 10C classified as a miscellaneous fire door accessories
- Corrosion resistance: Metal construction provides corrosion resistance in a variety of conditions
- Holder Selector: 590 and 690 series holders are equipped with a turn knob to activate and deactivate the hold open function
- Zinc end caps
- Through-bolts capture channel and end caps
- Heavy duty shock spring absorbs load and gradually stops door

Aesthetics:

- Metal construction provides superior quality plated finishes
- Finished End Caps: End caps recessed into channel and finished same as channel
- Finished Rivets: Fasteners used to secure the arm to the slide and the jamb bracket are polished and finished the same as the rest of the holder
- Finished holder turn lever: SARGENT 590 and 690 holders are built with a finished holder turn knob without any exposed screws
- Finished channel corners: Corners of the channels are polished to match the rest of the arm and channel

Convenience:

- Minimal number of sizes required to cover all door widths
- Standard holder sizes based on standard door widths
- Non-handed

1560 Series Electromagnetic Door Holders

Holders & Stops

SARGENT®

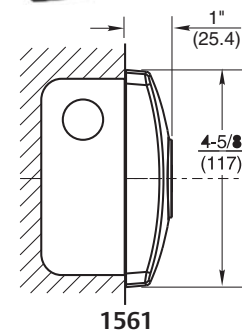
ASSA ABLOY

Electromagnetic Door Holder

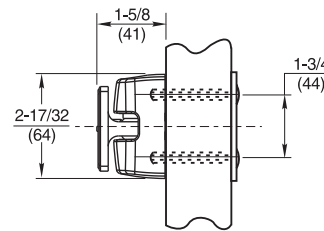
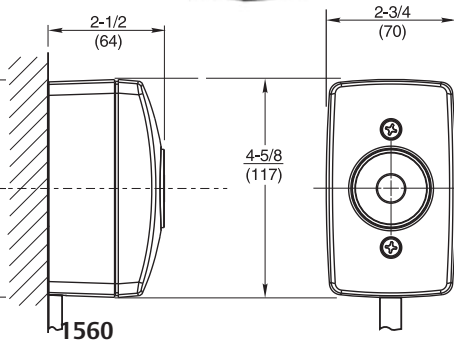
- Designed for use with self-closing fire and smoke barrier doors
- Use independently or with any fire or smoke detector system
- When de-activated, helps control the spread of fire and smoke by automatically releasing doors from an open position for simultaneous closing
- Fail-safe device: When electrical power fails, doors will release to close automatically
- Conforms to devices outlined in National Fire Protection Agency Standards Nos. 80 and 101
- Designed to work with SARGENT door closers
- Recommended vertical location is on top rail of door – within 6" of lock stile edge
- When applications will not allow wall or floor magnets, consult SARGENT's FireGuard catalog for our line of Electronic Closer Holders
- Fits standard outlet box
- Holding force – 35 lbs typical
- Voltage and Current:
120 VAC, 60 Hz., .020 amp
24 VAC/DC, 60 Hz., .020 amp
12 VDC, .040 amp
- Finish – EN
- Meets ANSI/BHMA A156.15
- UL Listed to U.S. and Canadian safety standards
- 1" (25mm) extension p/n 52-2573 included standard to increase armature projection to 2-5/8" (67mm)
- Order as:
1561 for Flush Mount
1560 for Surface Mount
1562 for Single Floor Mount
1563 for Double Floor Mount

Wall Mount

1561 Flush Mount

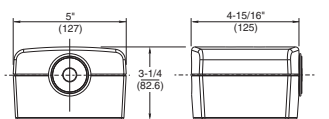


1560 Surface Mount



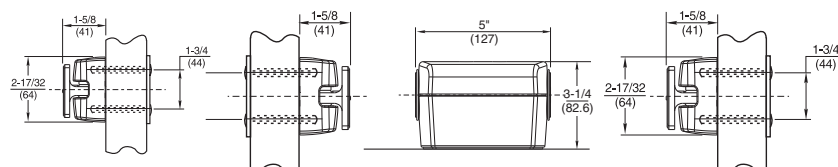
Floor Mount

1562 Single Floor Mount



1562

1563 Double Floor Mount



1563

Copyright © 2003-2018, Sargent Manufacturing Company, an ASSA ABLOY Group company. All rights reserved. Reproduction in whole or in part without the express written permission of Sargent Manufacturing Company is prohibited.

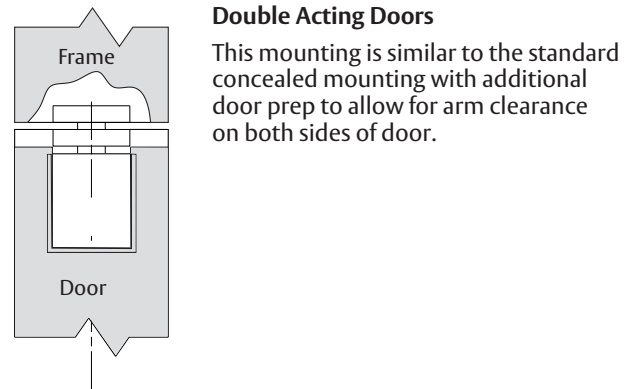
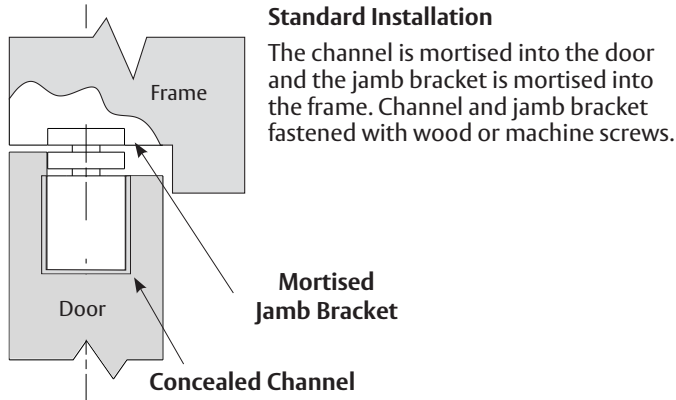
Overhead Holder & Stop Installations

Holders & Stops

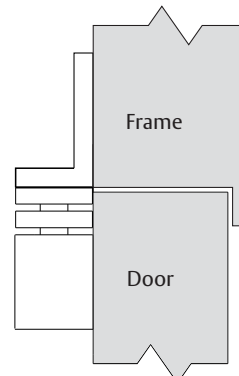
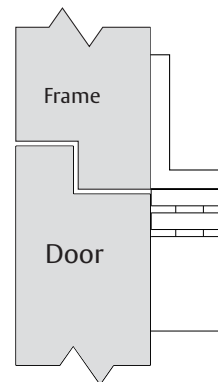
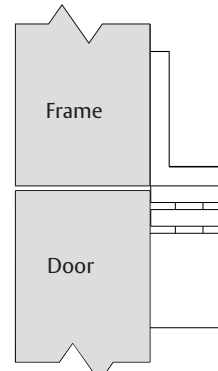
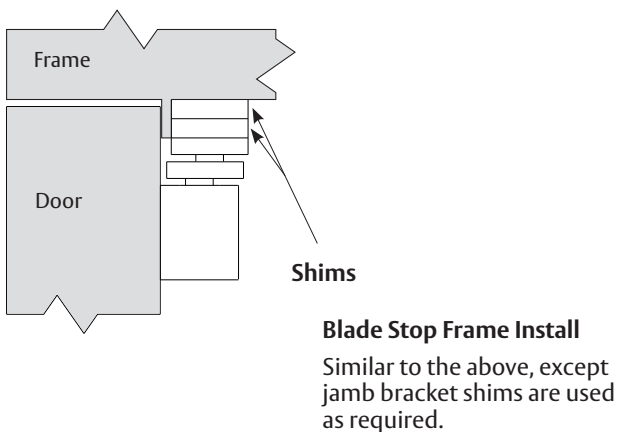
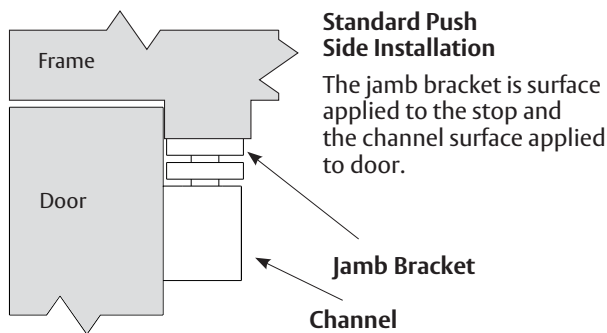
SARGENT®

ASSA ABLOY

Concealed Mounting (690 or 1530 Series)



Surface Mounting (590 or 1540 Series)



Finishes & Door Closer Compatibility Chart

Holders & Stops

Note: EN Finish standard for 1560 Series, consult factory for other painted colors

Frequently Used SARGENT Door Closers with Overhead Holders and Stops

- **Standard Door Closer Applications (PULL SIDE MOUNT)**

590 Series with 281, 351, 1431 Series with "O" Arm
690 Series with 281, 351, 1431 Series with "O" Arm
1530 Series with 281, 351, 1431 Series with "O" Arm
1540 Series with 281, 351, 1431 Series with "O" Arm

- **Parallel Arm Door Closer Applications (PUSH SIDE MOUNT)**

590 Series with 281, 351, 1431 Series with "P3" Arm
690 Series with 281, 351, 1431 Series with "P9" Arm
690 Series with 281, 351, 1431 Series with "P10" Arm
1530 Series with 281, 351, 1431 Series with "P9" Arm
530 Series with 281, 351, 1431 Series "P10"
1540 Series with 281, 351, 1431 Series with "P3" Arm

- **Parallel Arm Door Closer Applications Used with a Flush Frame**

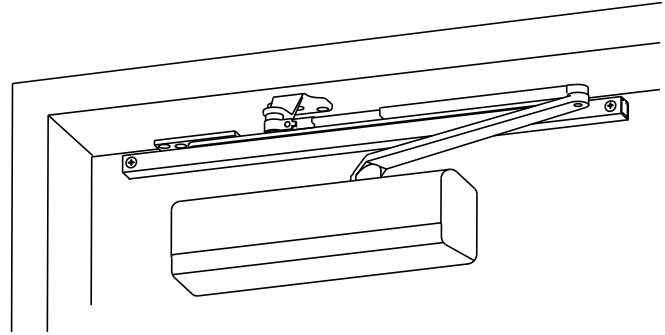
590 Series with 281, 351, 1431 Series with "P4" ARM
690 Series with 281, 351, 1431 Series with "P4" ARM
1530 Series with 281, 351, 1431 Series with "P4" ARM
540 Series with 281, 351, 1431 Series with "P4" ARM

- **Inverted Top Jamb Applications**

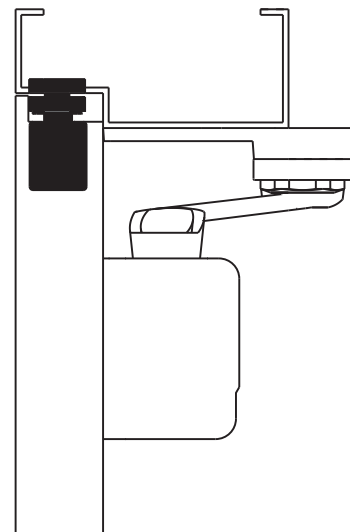
590, 690, 1530, 1540 Series with 281, 351, 1431 Series and "O" OZ, OZA arm

Note: This chart is only a quick reference. Some applications may require the use of 145 or 195 angle bracket

Contact factory for special applications.



1430-P3 Shown w/1548S



351 P10 Shown w/697S

SARGENT Manufacturing Company
100 Sargent Drive
New Haven, CT 06511 USA
800-727-5477
www.sargentlock.com

ASSA ABLOY is the global
leader in door opening solutions,
dedicated to satisfying
end-user needs for security,
safety and convenience